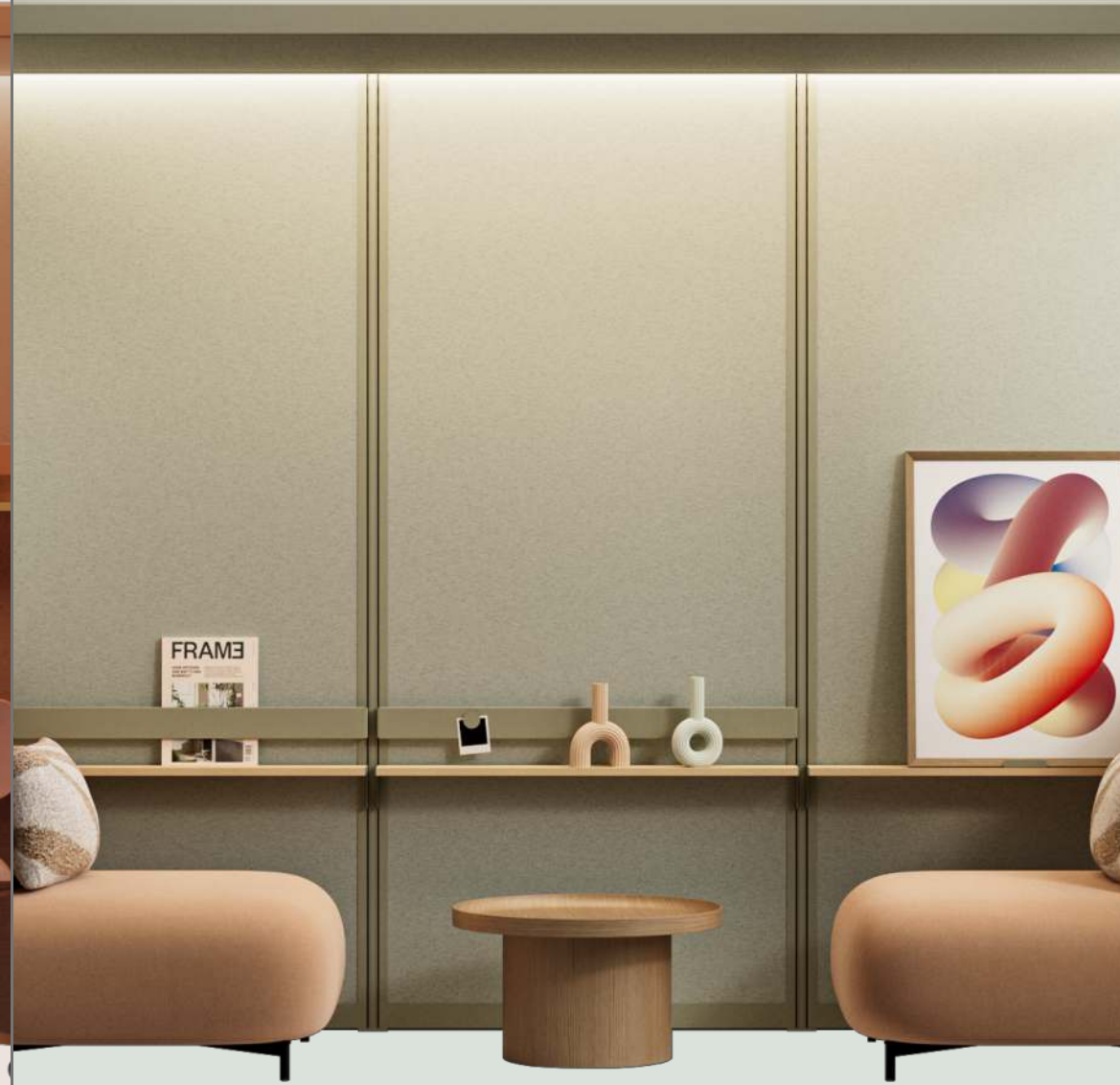
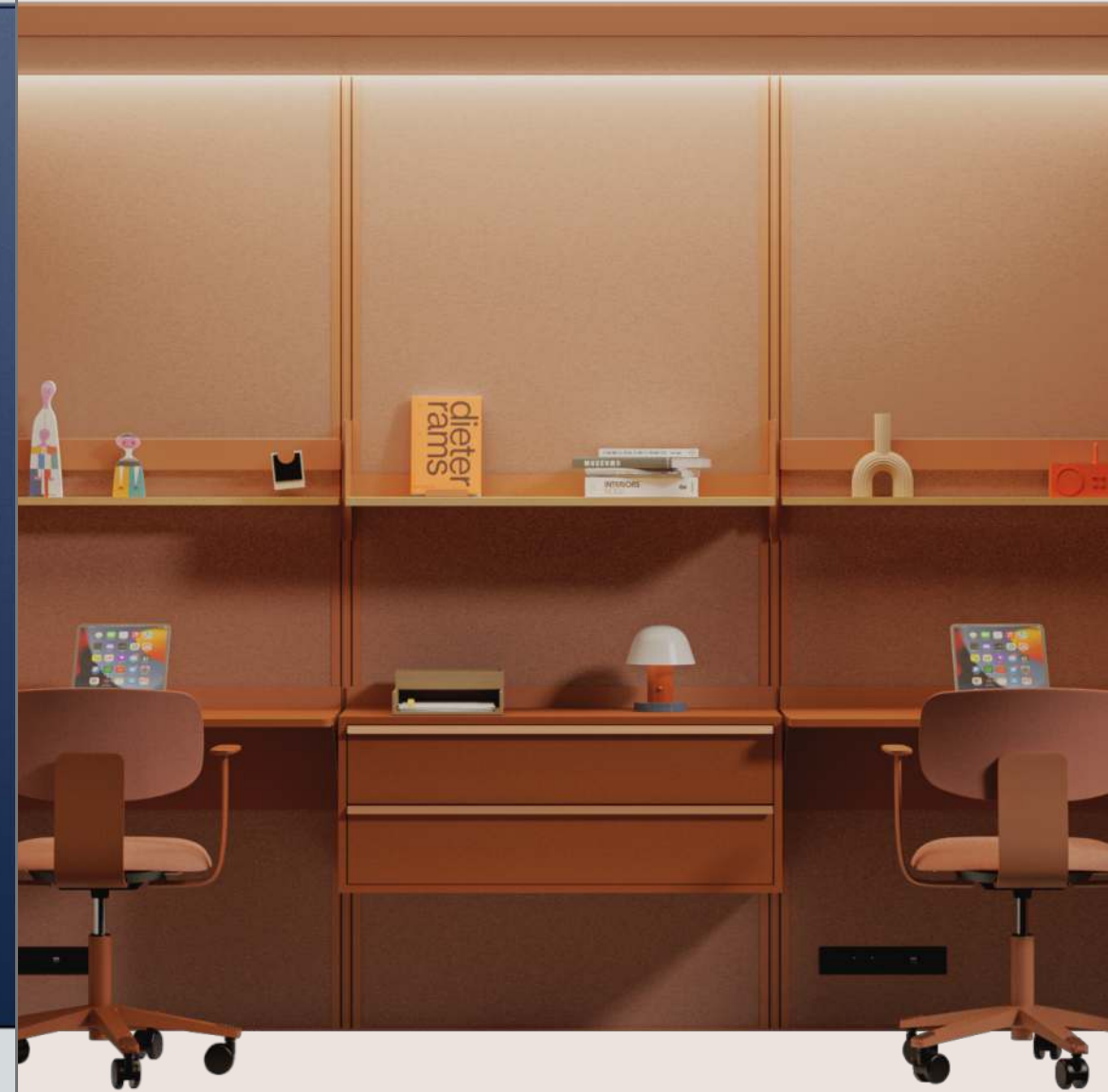


OmniRoom | MUTE.

Book of rooms

VER 02/2023



Meet

32 ready-to-use conference space configurations with wall-mounted shelves and cabinets

PAGES 4-28

Work

23 ready-to-use workstations for sitting and standing; personal spaces or hot desks

PAGES 29-60

Lounge

16 configurations for chill out areas that prioritize comfort and relaxation

PAGES 61-78

Support

6 complementary rooms, essential to office management, incl. cloakroom and copy point

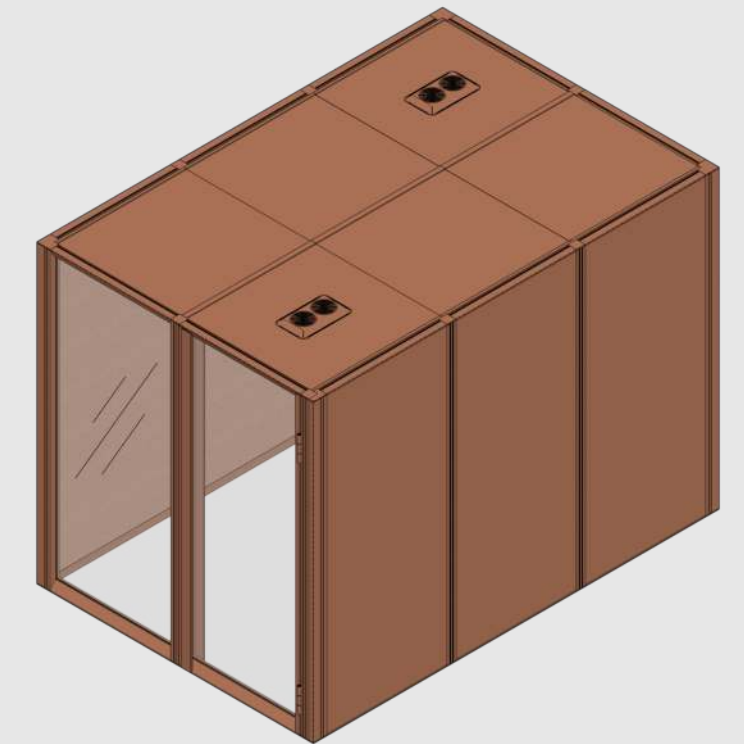
PAGES 79-85



Complete preset

Work 4x3 p4.v1.0

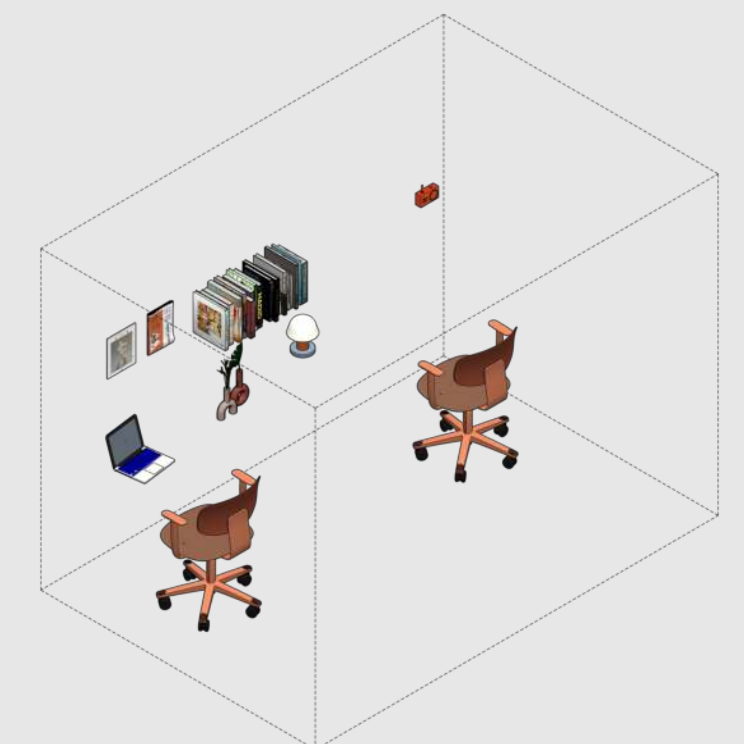
1. Construction



2. Accessories



3. Third party fit-out





Work

OmniRoom | **MUTE.**

Preset

Work 4x4 p4.v1.C

Project based use only. The accessibility of a preset has to be confirmed individually before the order.

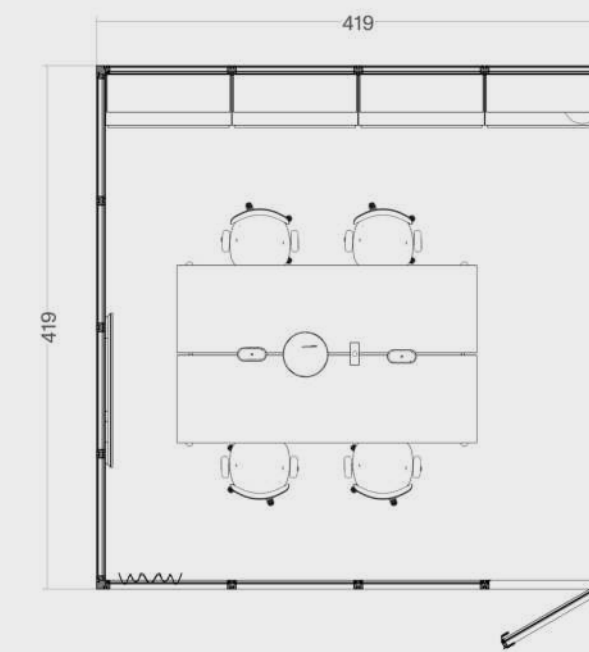
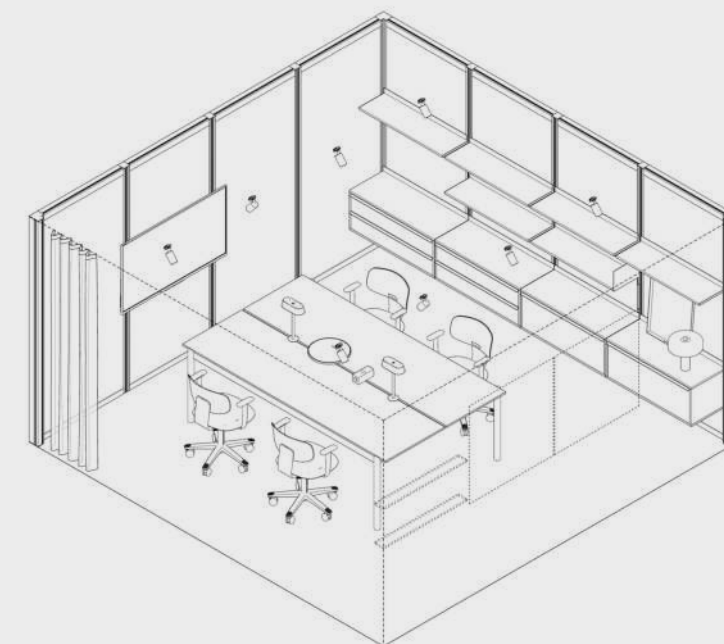
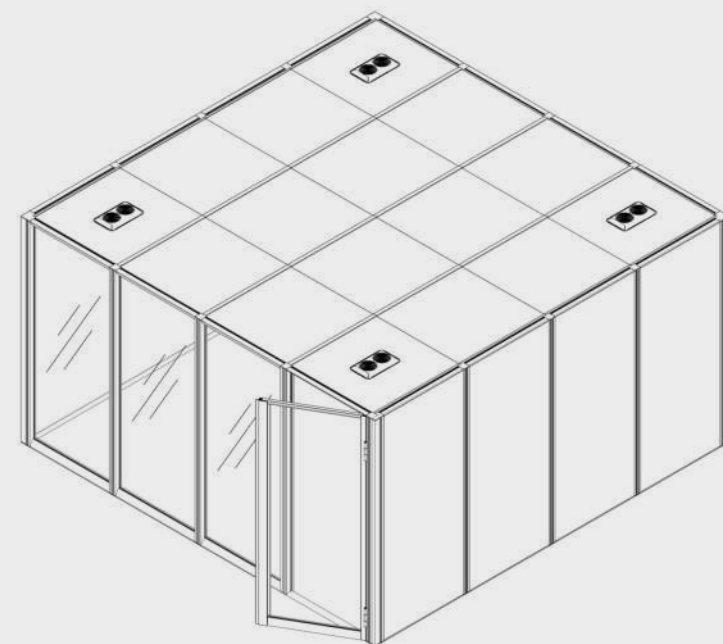
Function
Work

Capacity
4 people

Room type
Closed

Modular Size
4x4

Variant
1



Preset

Work 4x3 p4.v1.0

Project based use only. The accessibility of a preset has to be confirmed individually before the order.

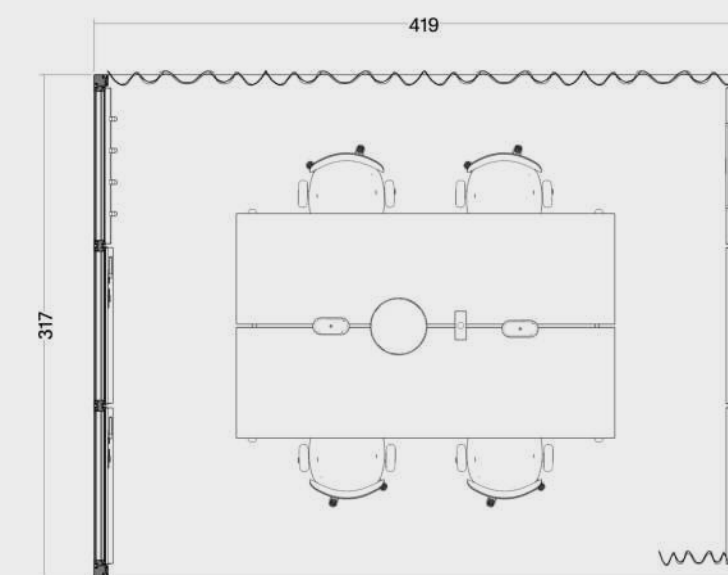
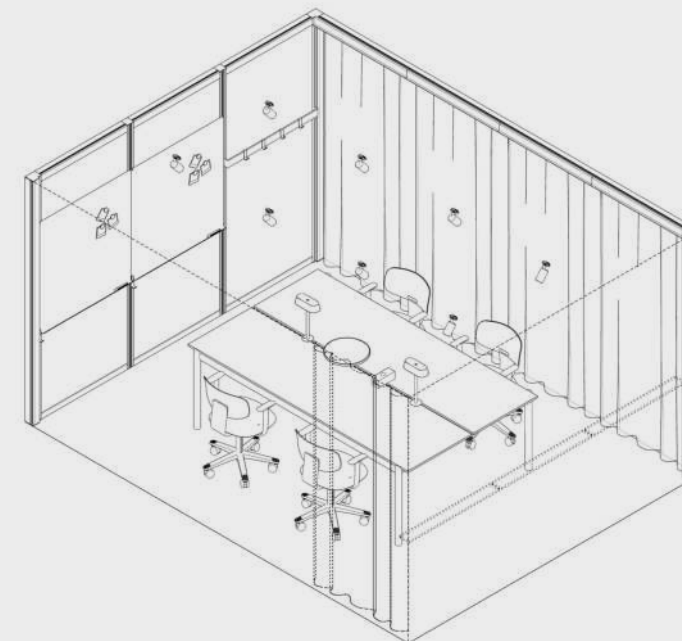
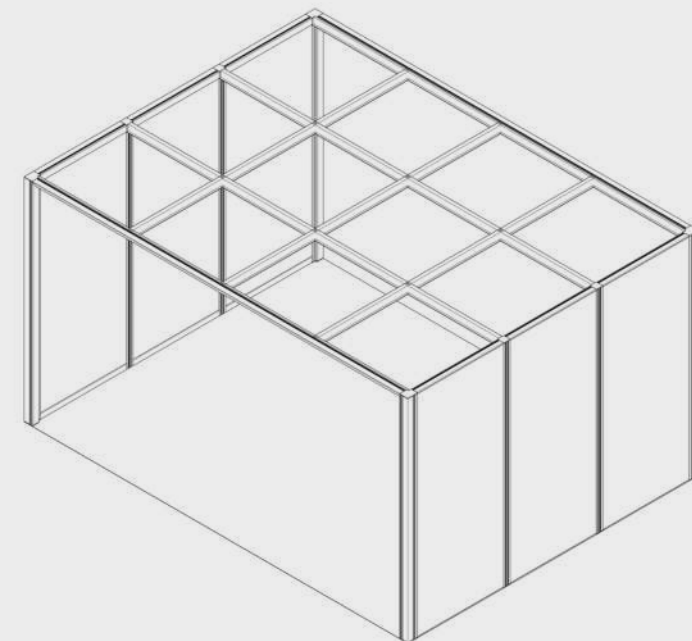
Function
Work

Capacity
4 people

Room type
Open

Modular Size
4x3

Variant
1



Preset

Work 3x3 p4.v1.0

Project based use only. The accessibility of a preset has to be confirmed individually before the order.

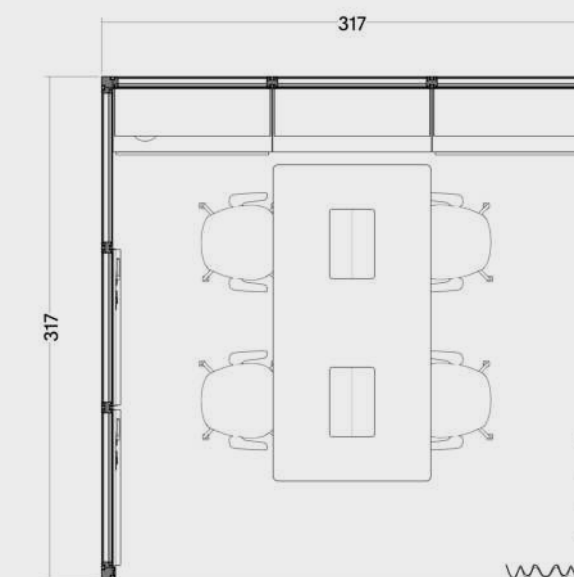
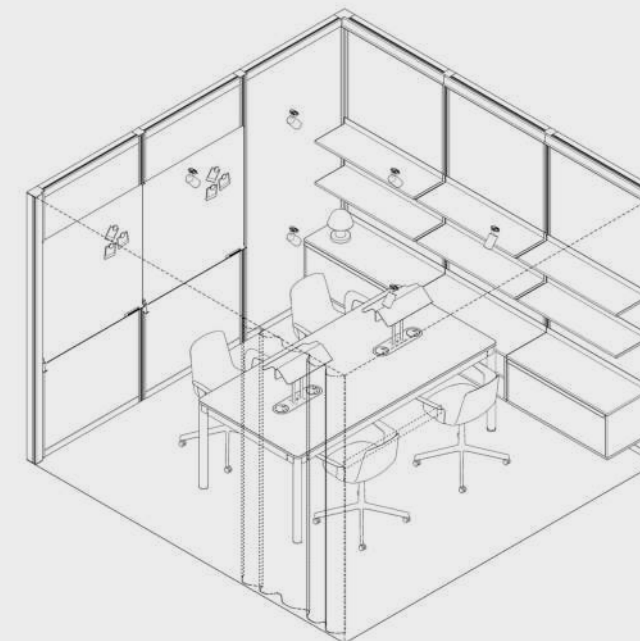
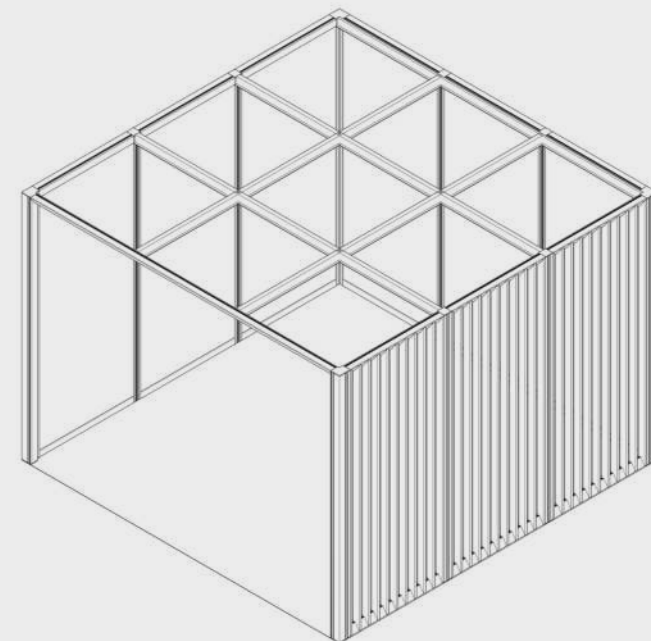
Function
Work

Capacity
4 people

Room type
Open

Modular Size
3x3

Variant
1



Preset
Work 3x3 p4.v2.0

Project based use only. The accessibility of a preset has to be confirmed individually before the order.

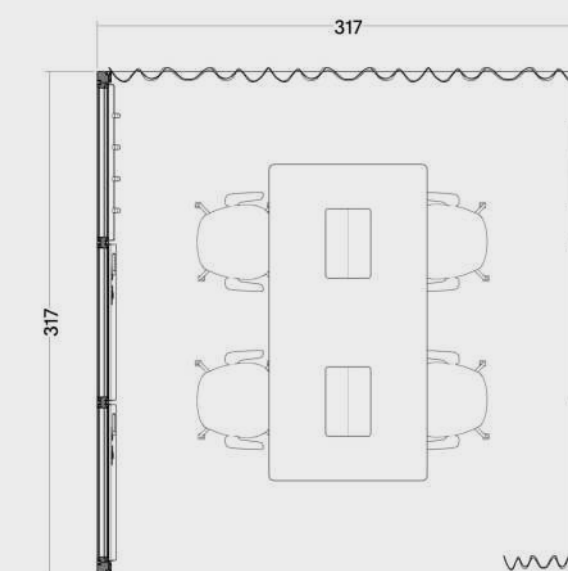
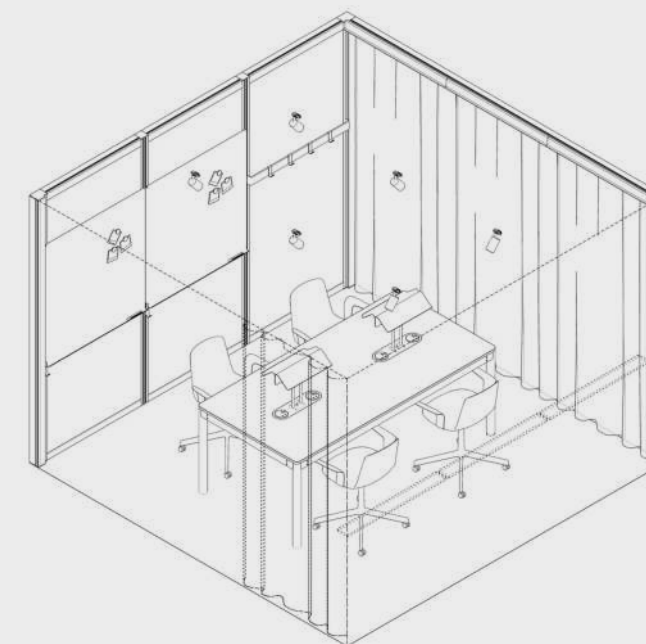
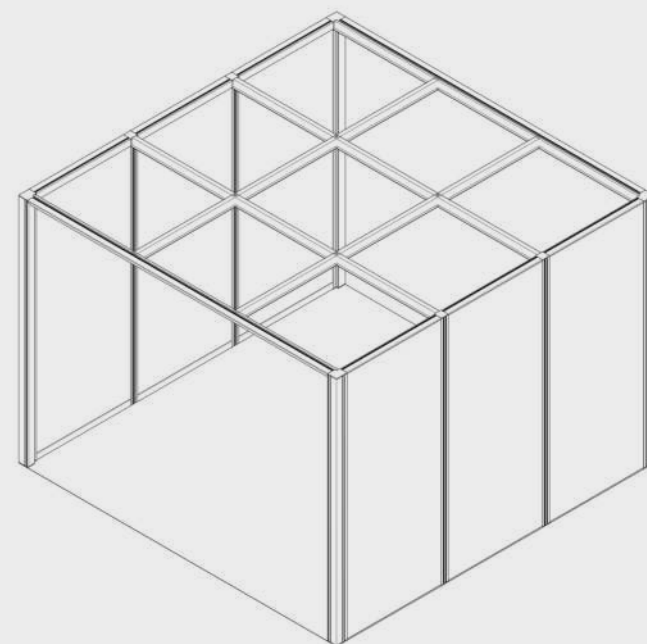
Function
Work

Capacity
4 people

Room type
Open

Modular Size
3x3

Variant
2



Preset

Work 3x3 p2.v1.0

Project based use only. The accessibility of a preset has to be confirmed individually before the order.

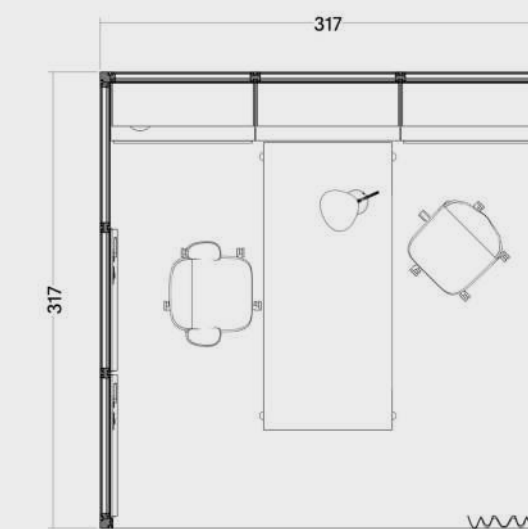
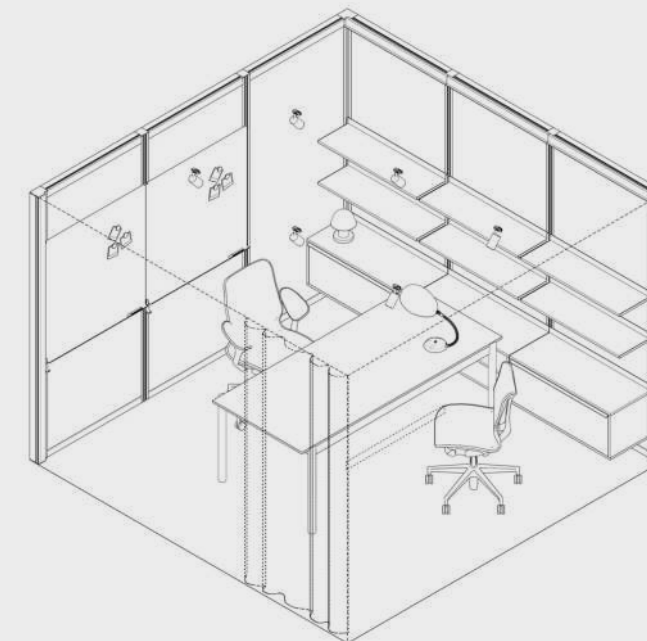
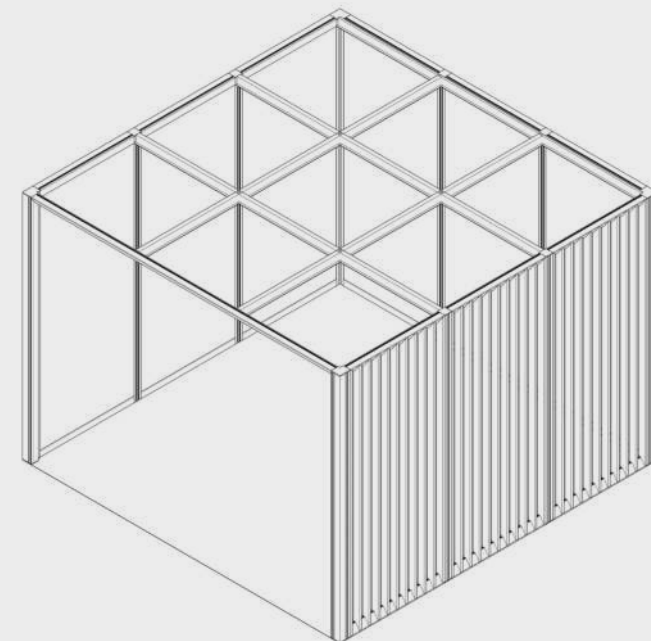
Function
Work

Capacity
2 people

Room type
Open

Modular Size
3x3

Variant
1



Preset

Work 3x3 p2.v1.C

Project based use only. The accessibility of a preset has to be confirmed individually before the order.

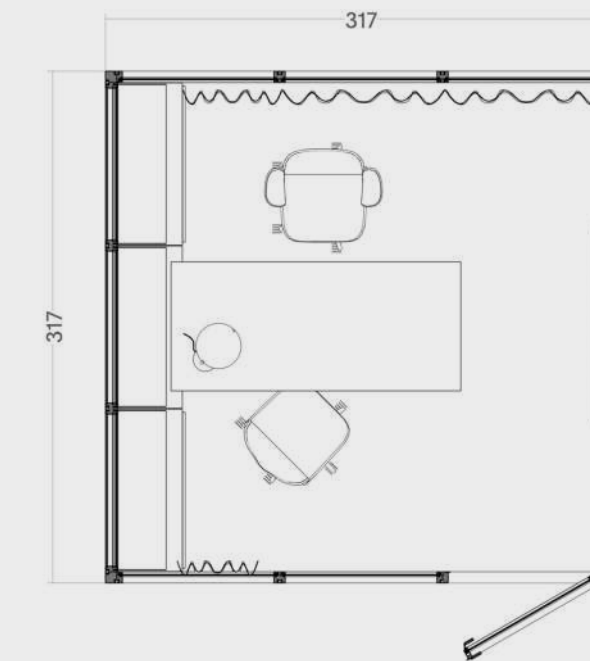
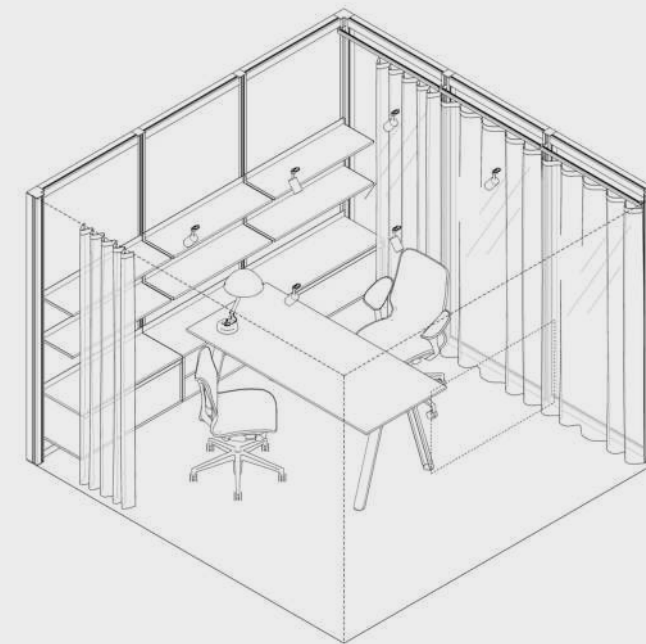
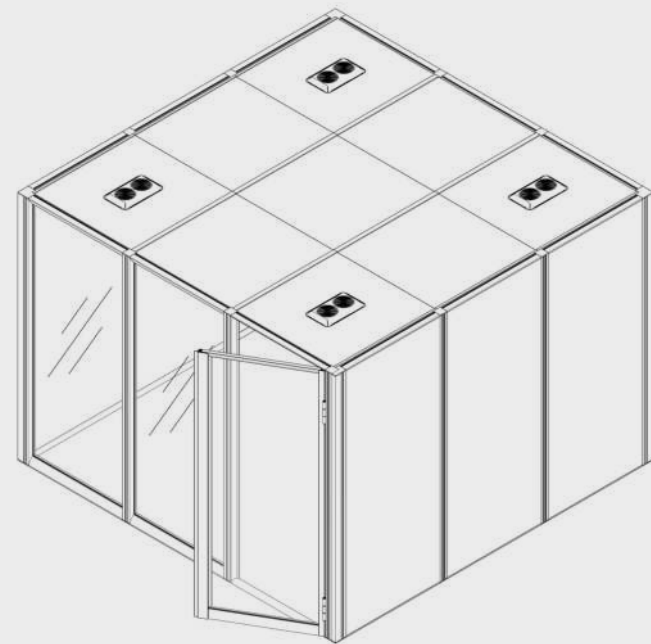
Function
Work

Capacity
2 people

Room type
Closed

Modular Size
3x3

Variant
1



Preset

Work 3x2 p4.v1.0

Project based use only. The accessibility of a preset has to be confirmed individually before the order.

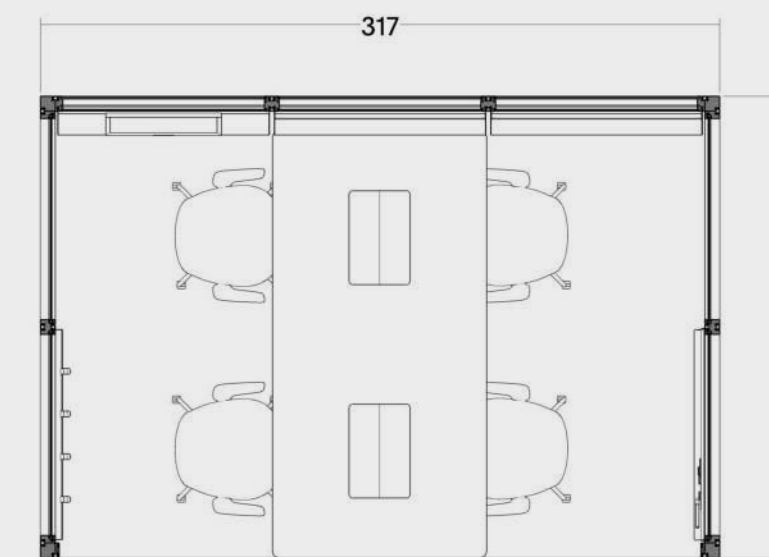
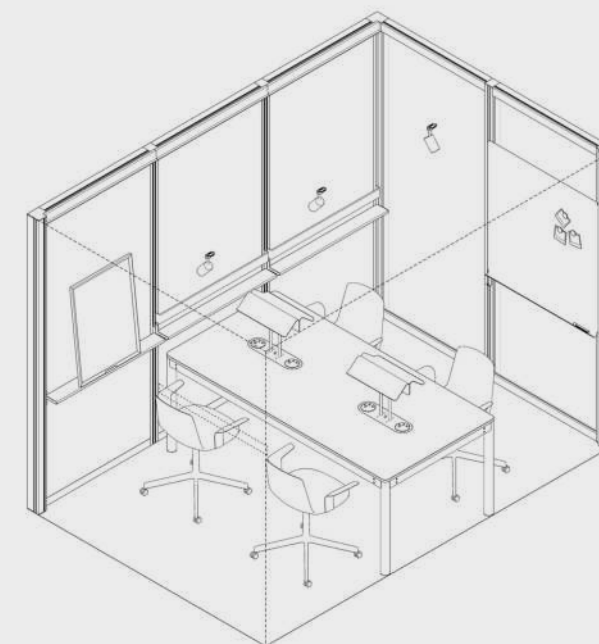
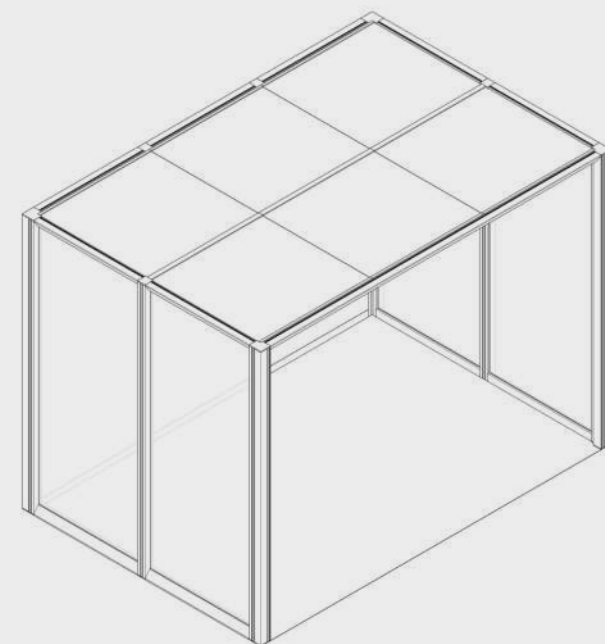
Function
Work

Capacity
4 people

Room type
Open

Modular Size
3x2

Variant
1



Preset

Work 3x2 p2.v1.0

Project based use only. The accessibility of a preset has to be confirmed individually before the order.

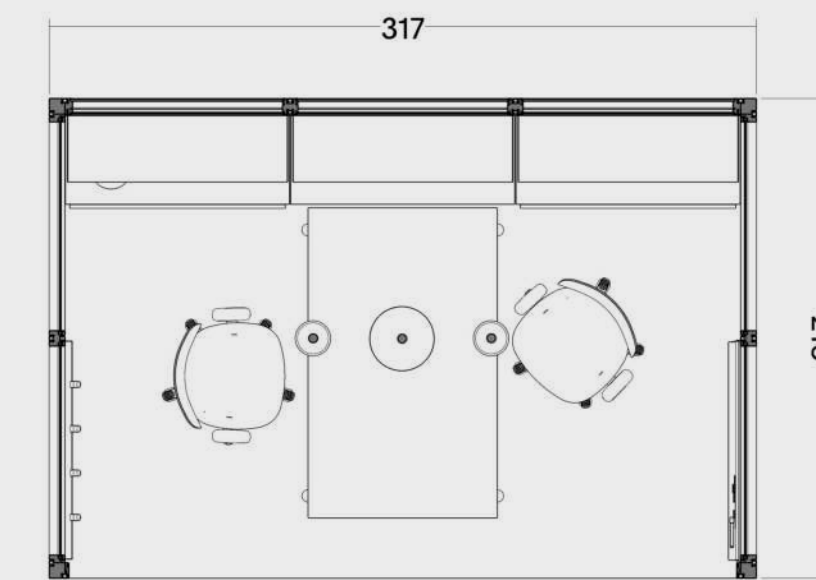
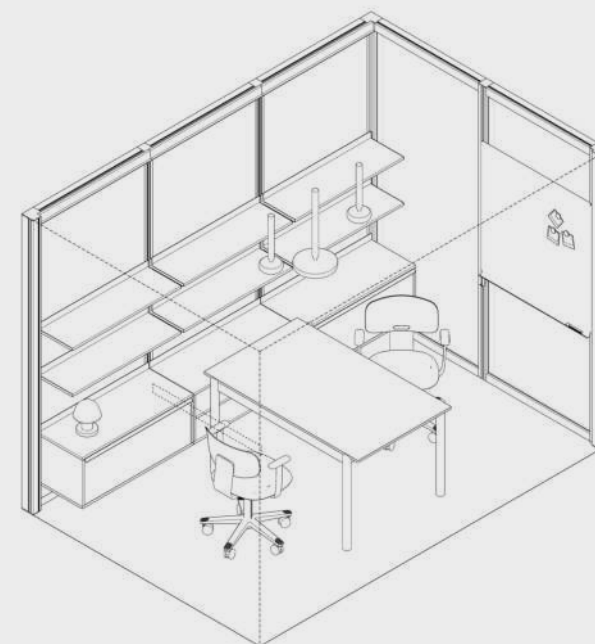
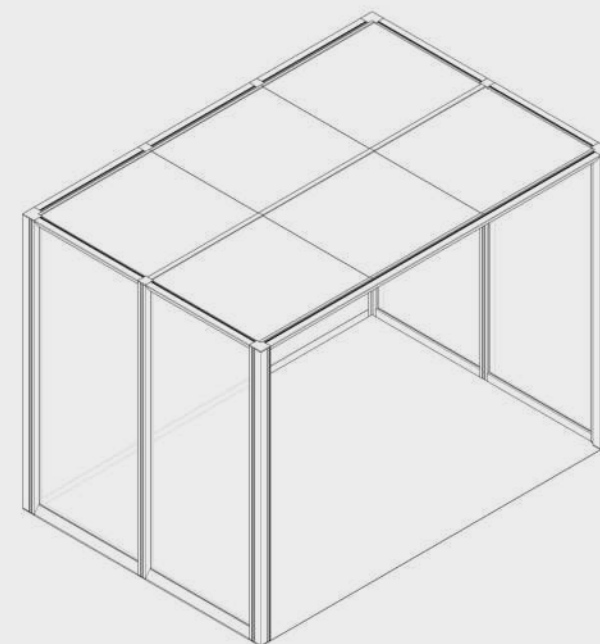
Function
Work

Capacity
2 people

Room type
Open

Modular Size
3x2

Variant
1



Preset

Work 3x1 p2.v1.0

Project based use only. The accessibility of a preset has to be confirmed individually before the order.

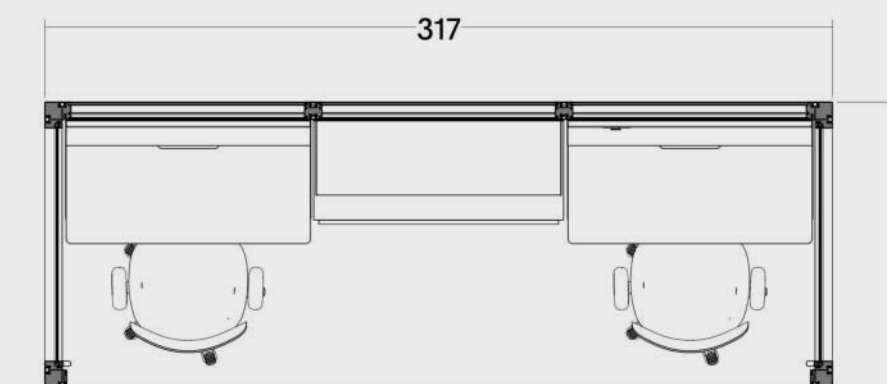
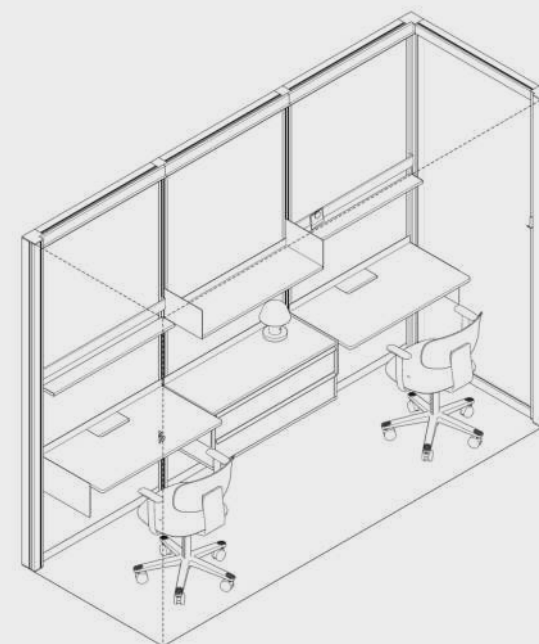
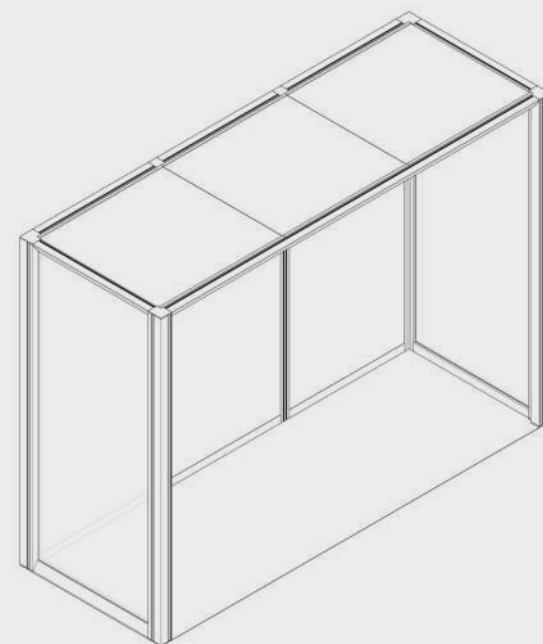
Function
Work

Capacity
2 people

Room type
Open

Modular Size
3x1

Variant
1



Preset

Work 3x1 p2.v2.0

Project based use only. The accessibility of a preset has to be confirmed individually before the order.

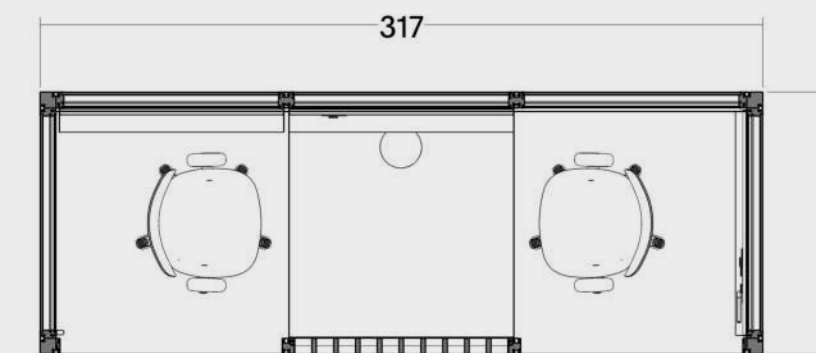
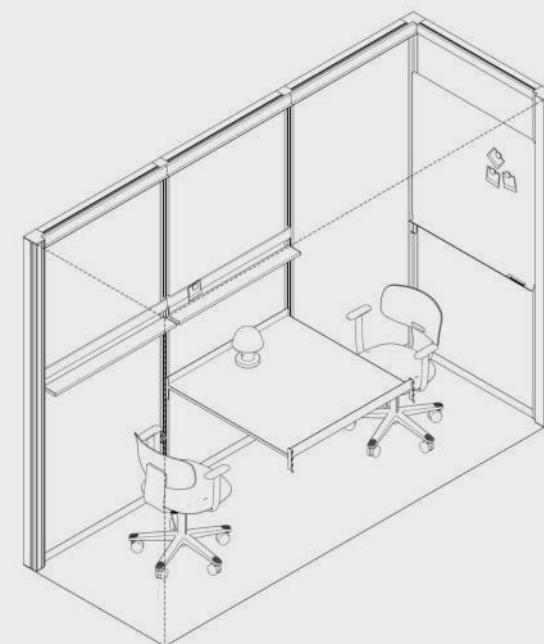
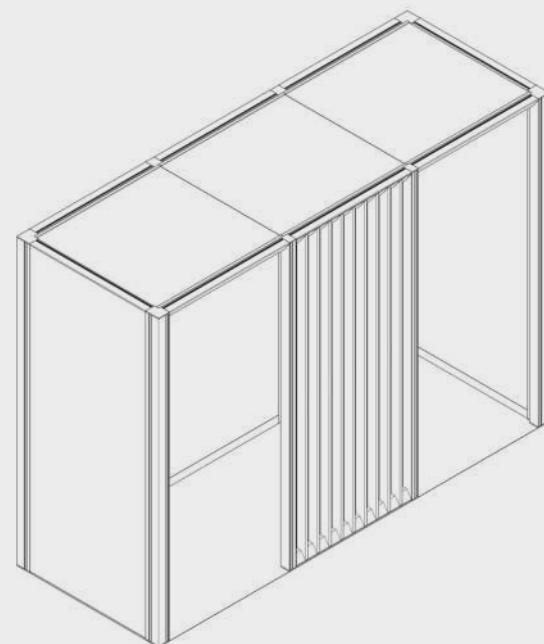
Function
Work

Capacity
2 people

Room type
Open

Modular Size
3x1

Variant
2



Preset

Work 2x3 p3.v1.C

Project based use only. The accessibility of a preset has to be confirmed individually before the order.

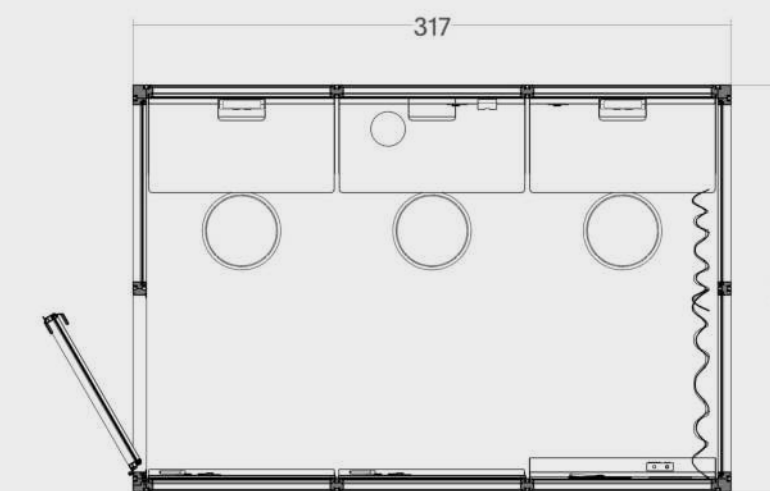
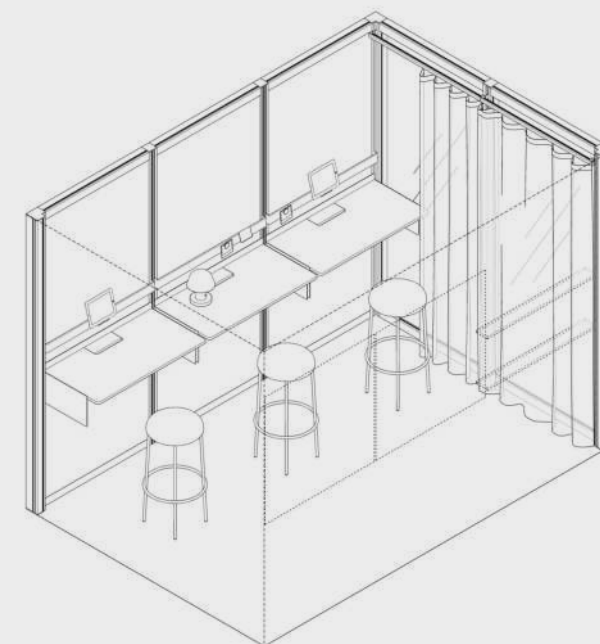
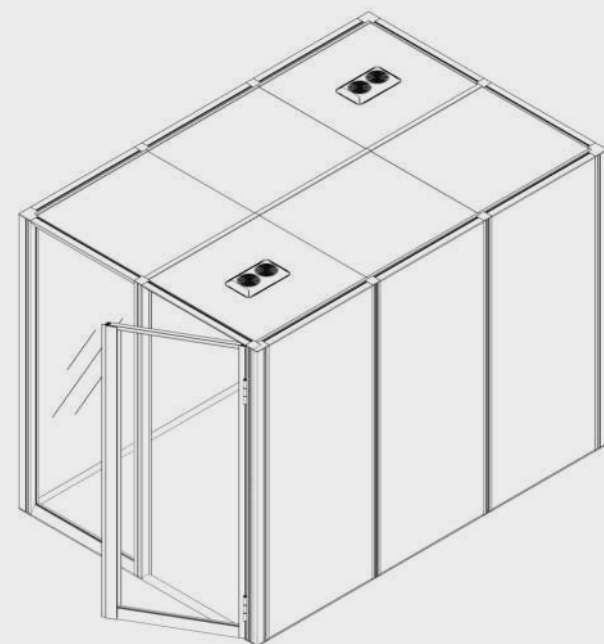
Function
Work

Capacity
3 people

Room type
Closed

Modular Size
2x3

Variant
1



Preset

Work 2x3 p2.v1.0

Project based use only. The accessibility of a preset has to be confirmed individually before the order.

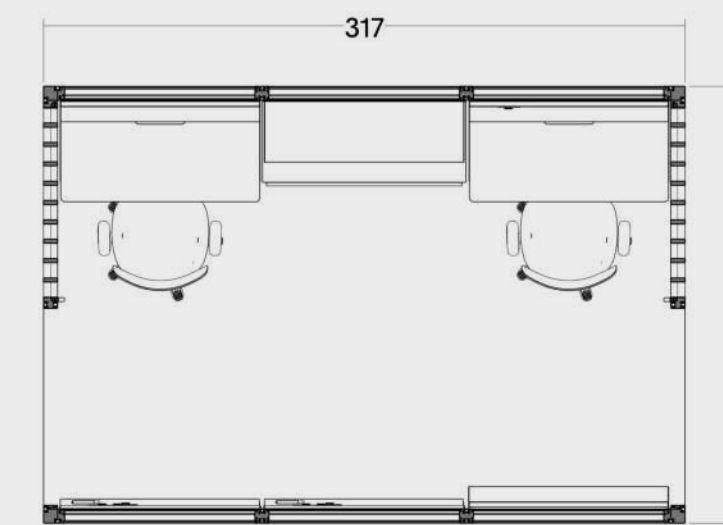
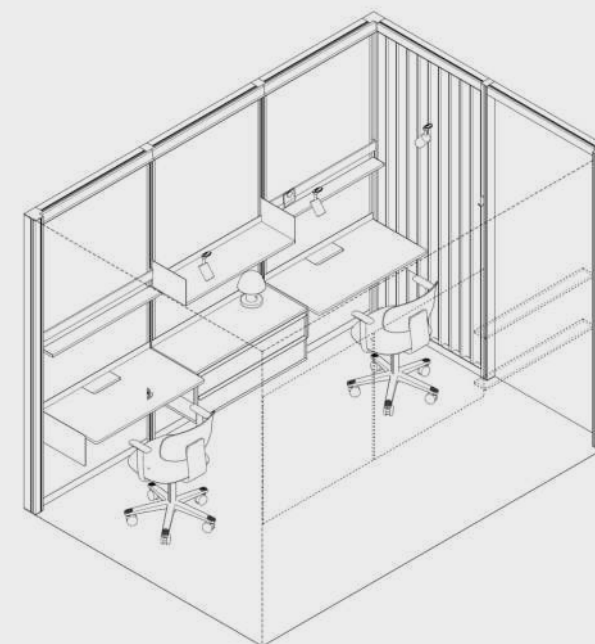
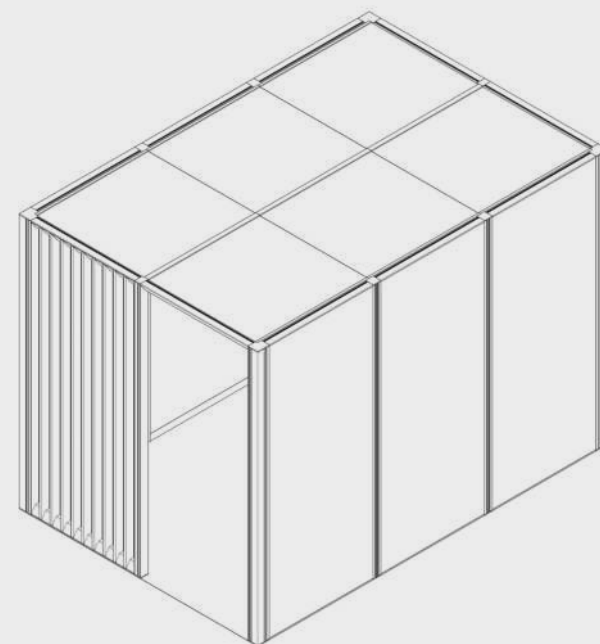
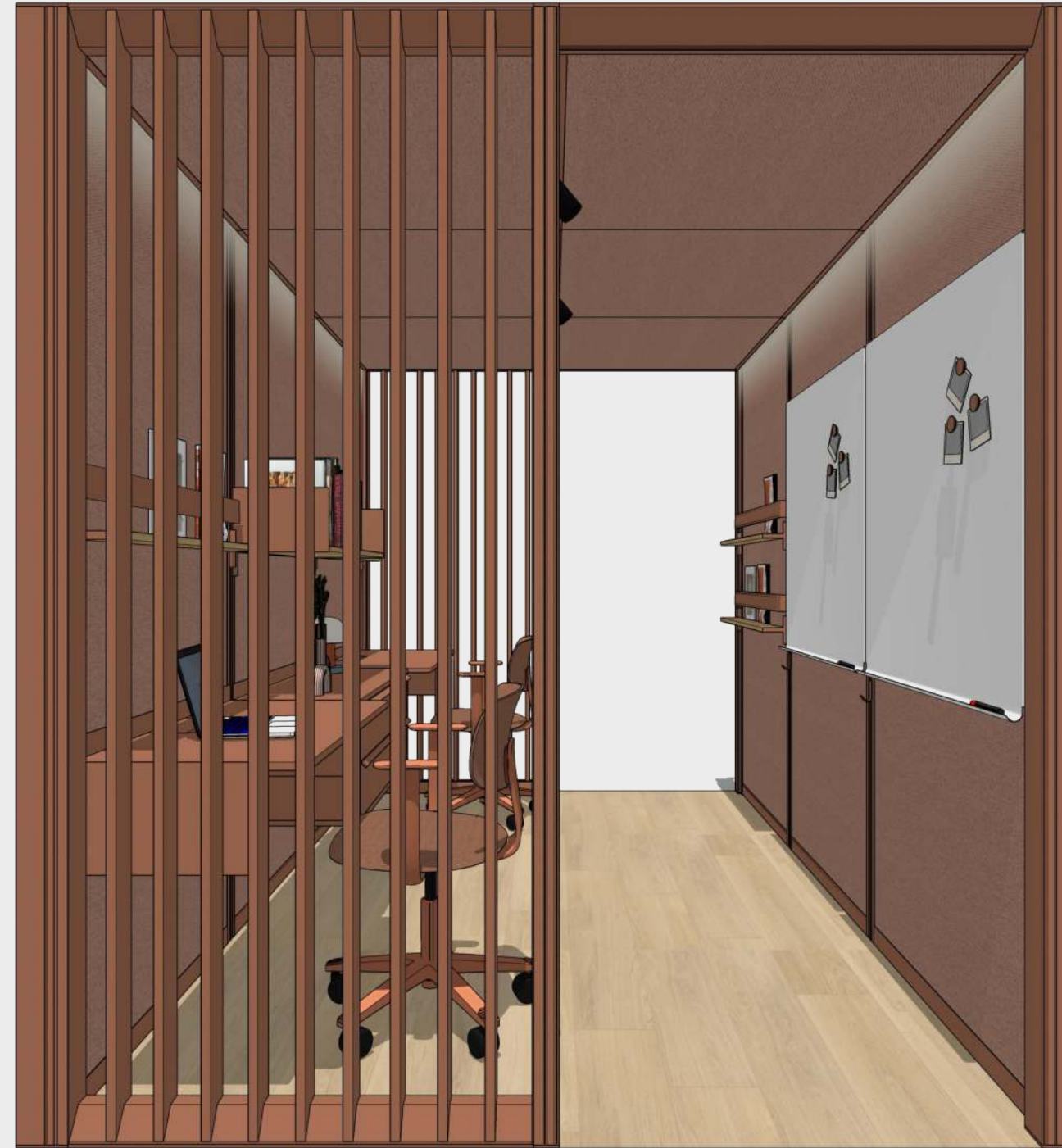
Function
Work

Capacity
2 people

Room type
Open

Modular Size
2x3

Variant
1



Preset

Work 2x3 p2.v1.C

Project based use only. The accessibility of a preset has to be confirmed individually before the order.

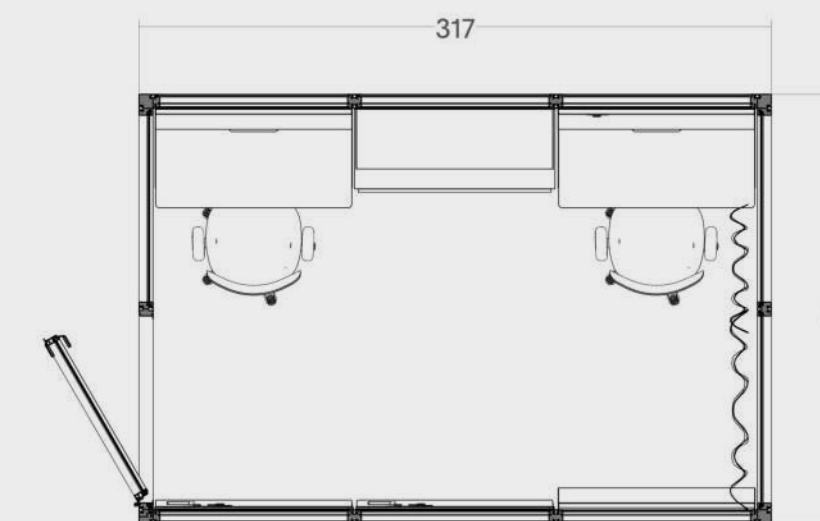
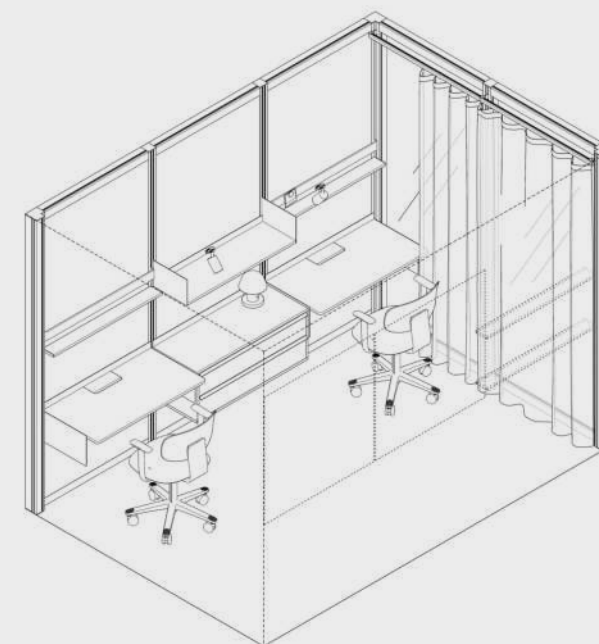
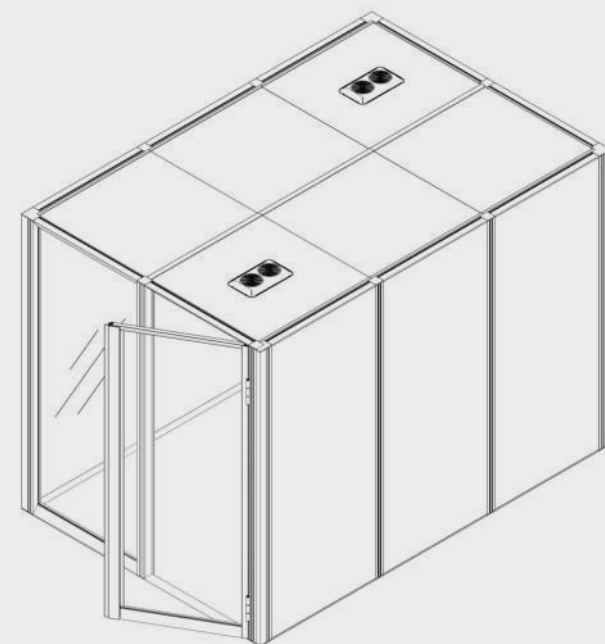
Function
Work

Capacity
2 people

Room type
Closed

Modular Size
2x3

Variant
1



Preset

Work 2x2 p2.v1.0

Project based use only. The accessibility of a preset has to be confirmed individually before the order.

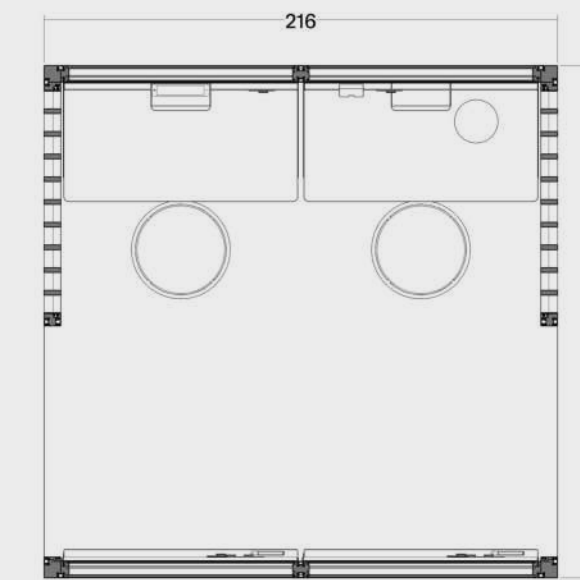
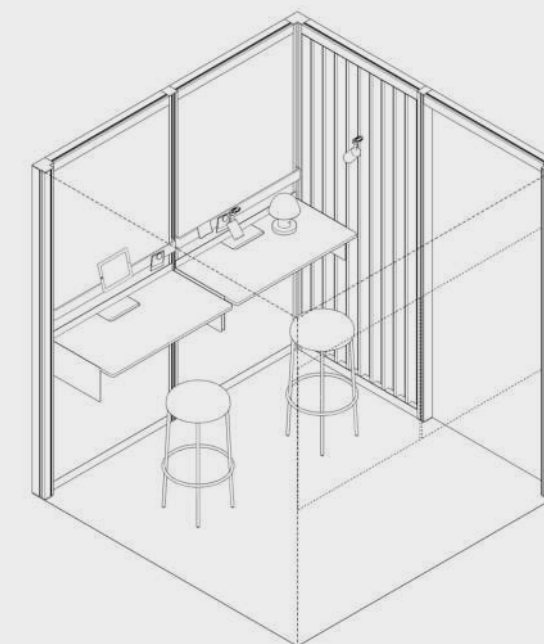
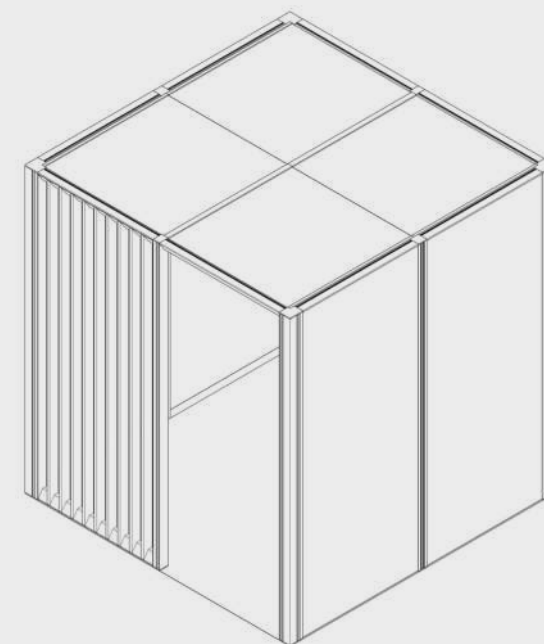
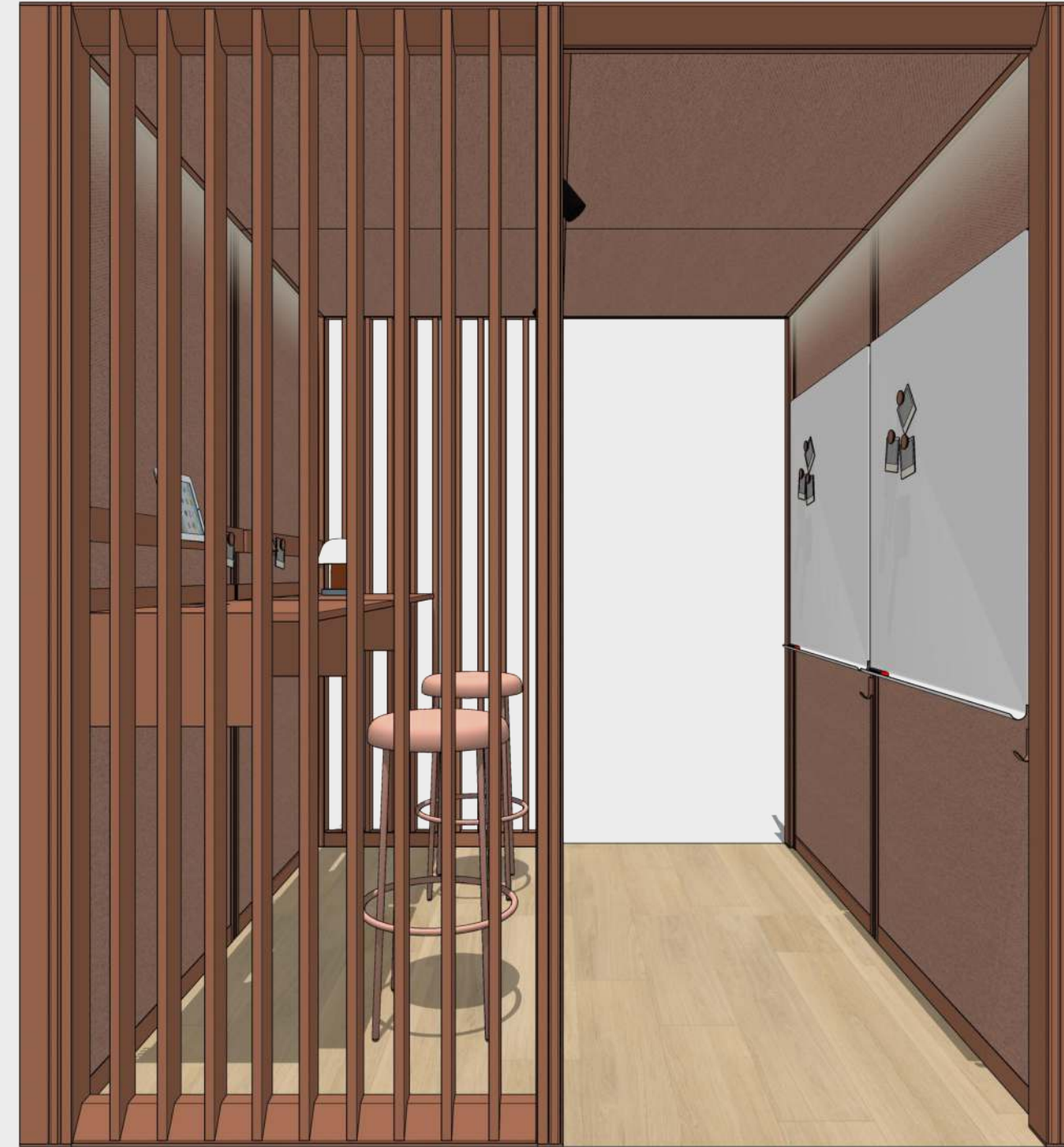
Function
Work

Capacity
2 people

Room type
Open

Modular Size
2x2

Variant
1



Preset

Work 2x2 p2.v2.0

Project based use only. The accessibility of a preset has to be confirmed individually before the order.

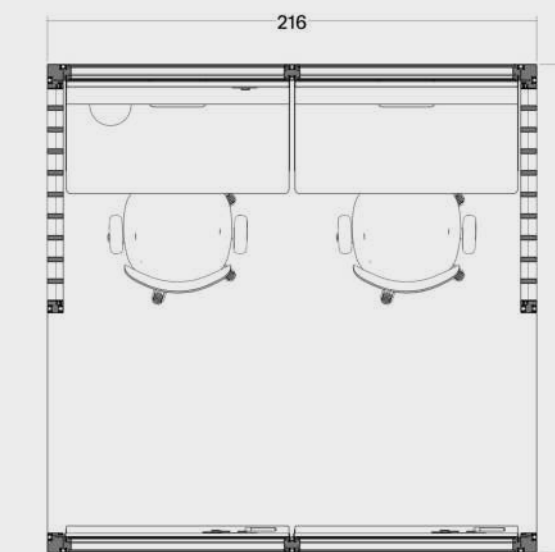
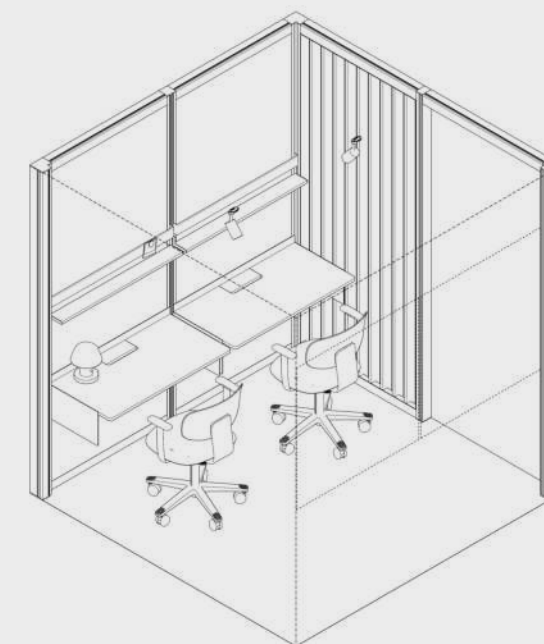
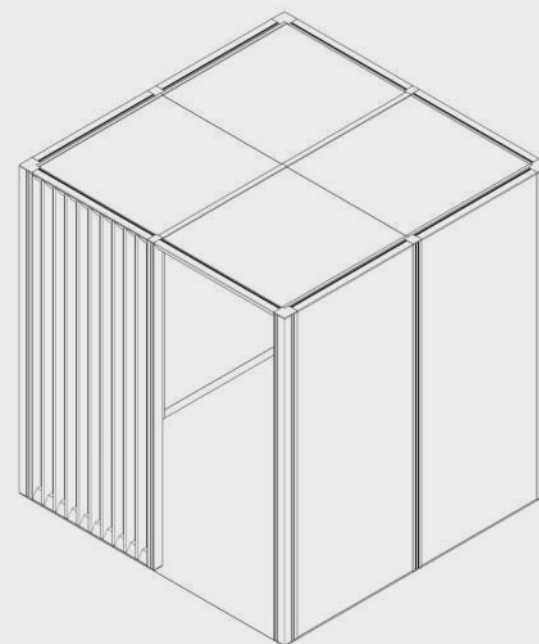
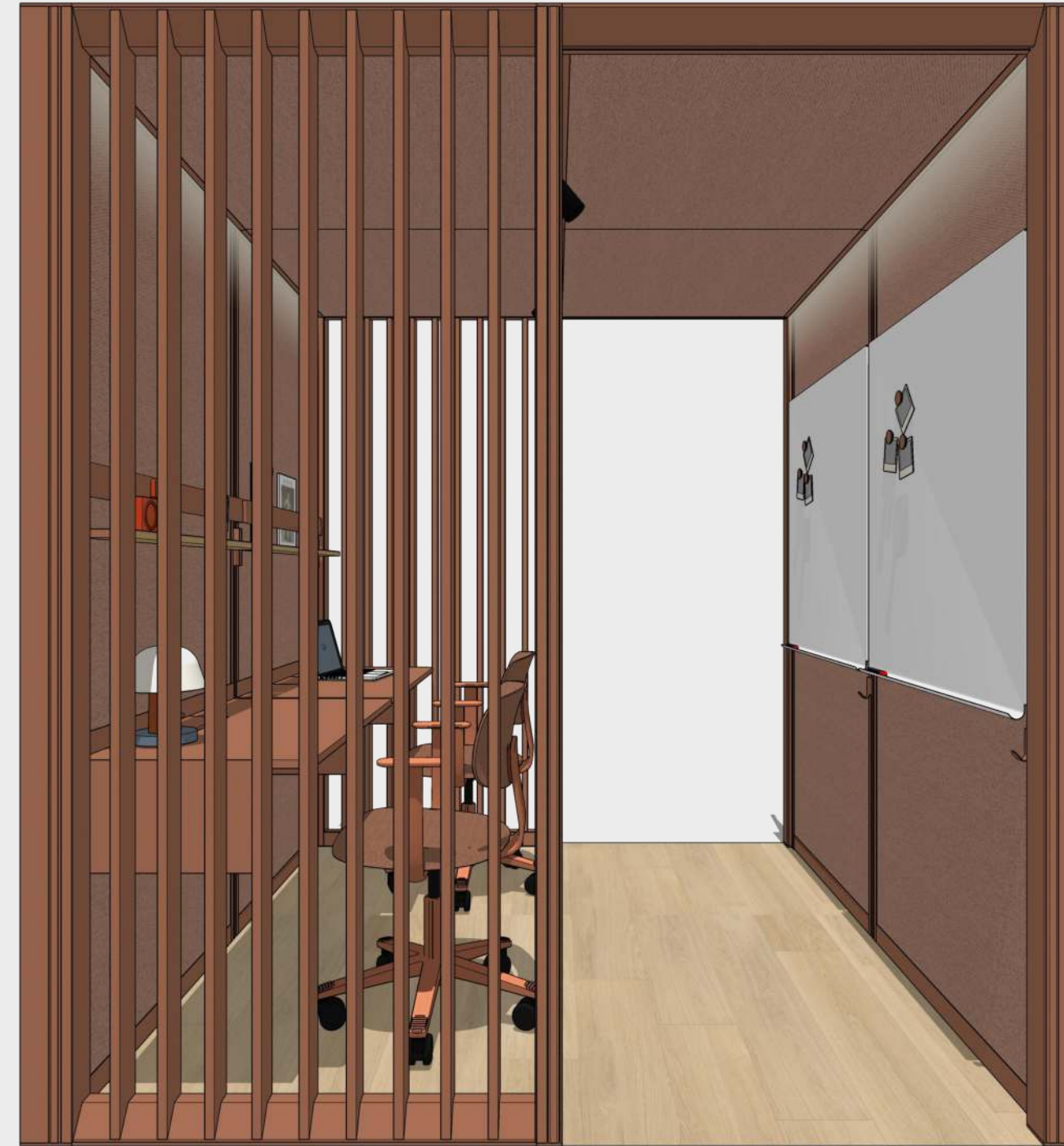
Function
Work

Capacity
2 people

Room type
Open

Modular Size
2x2

Variant
2



Preset

Work 2x2 p2.v1.C

Project based use only. The accessibility of a preset has to be confirmed individually before the order.

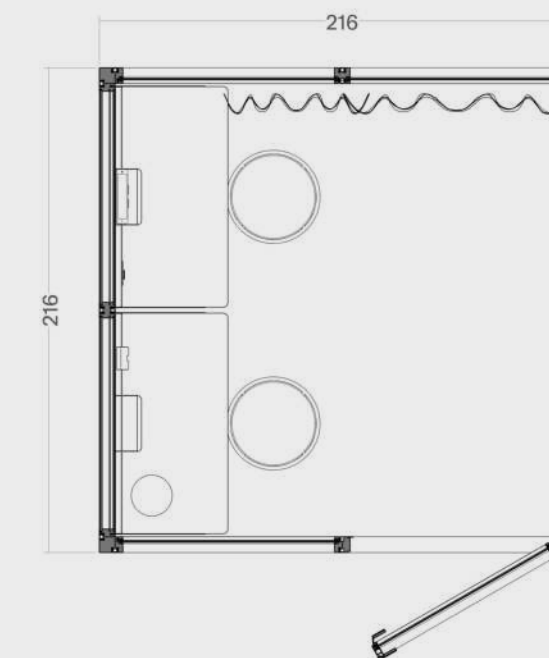
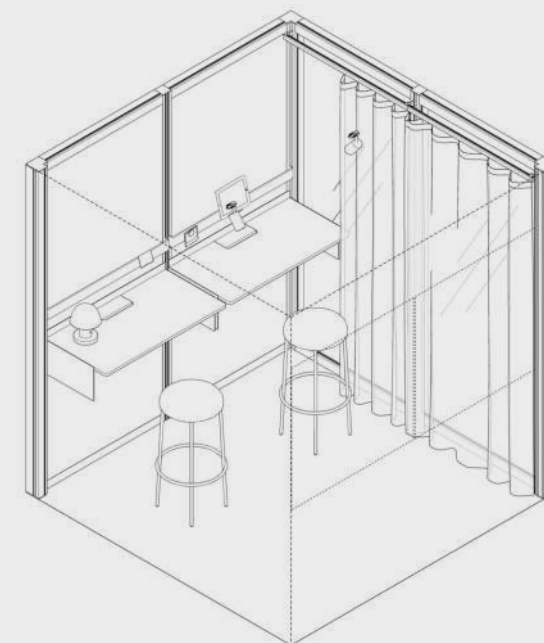
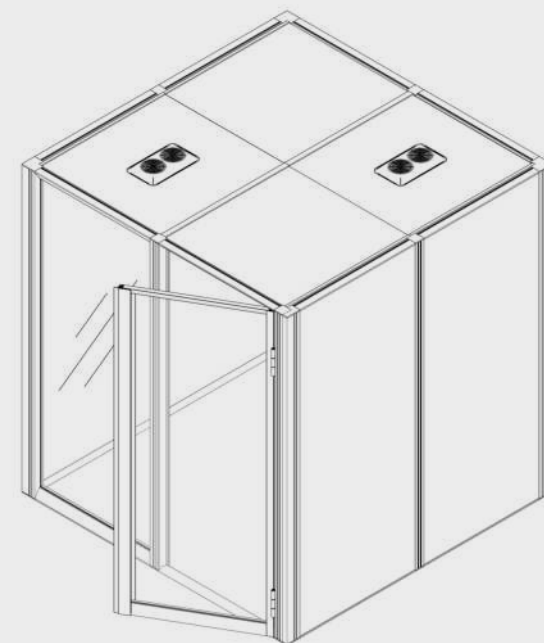
Function
Work

Capacity
2 people

Room type
Closed

Modular Size
2x2

Variant
1



Preset

Work 2x2 p2.v2.C

Project based use only. The accessibility of a preset has to be confirmed individually before the order.

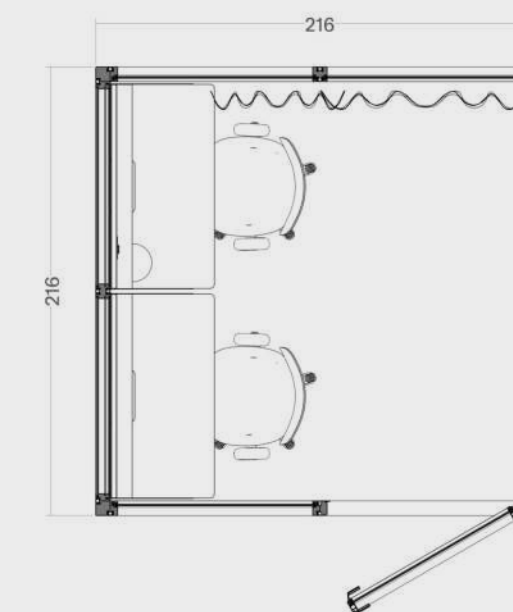
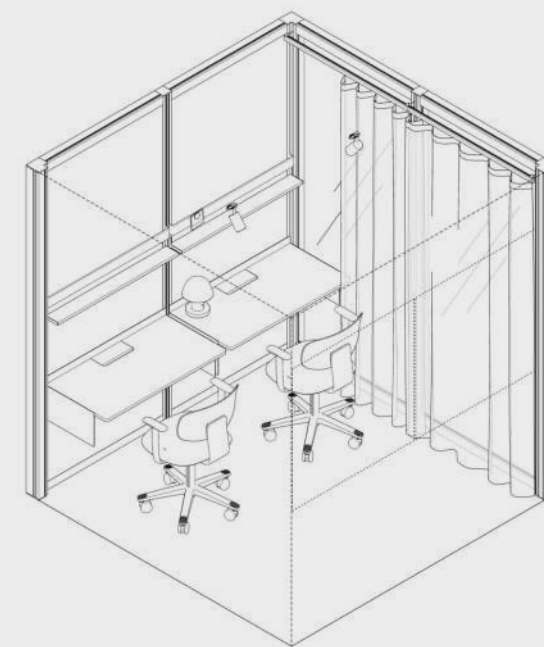
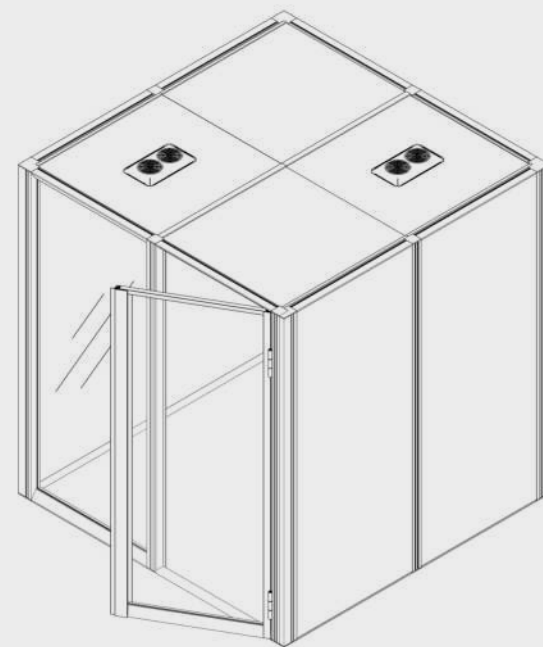
Function
Work

Capacity
2 people

Room type
Closed

Modular Size
2x2

Variant
2



Preset

Work 2x1 p2.v1.0

Project based use only. The accessibility of a preset has to be confirmed individually before the order.

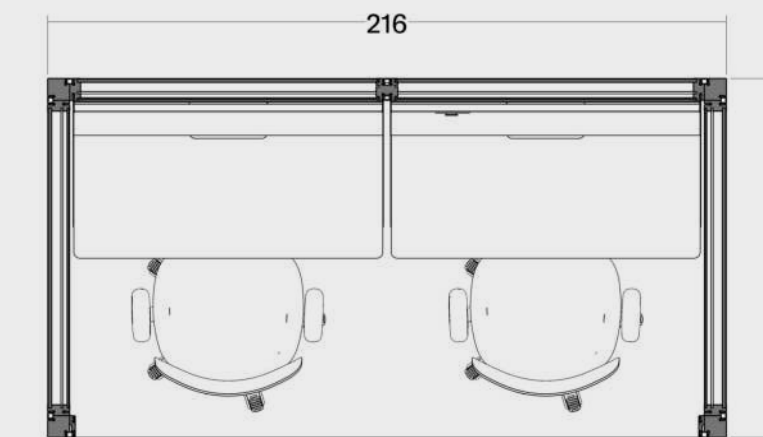
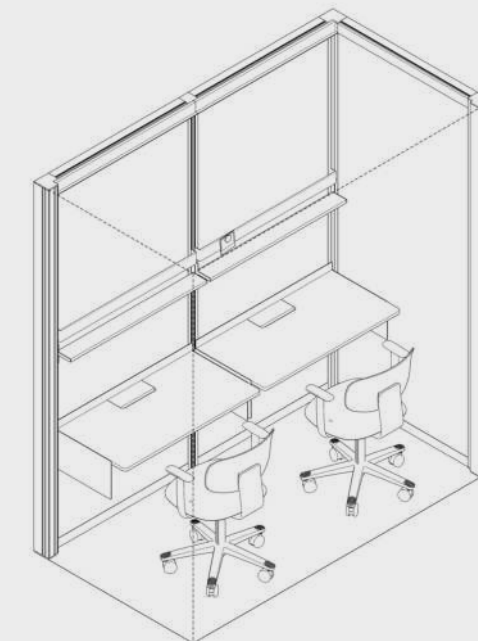
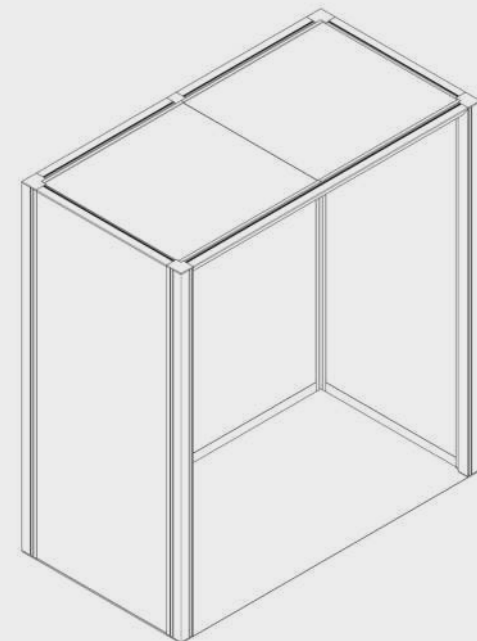
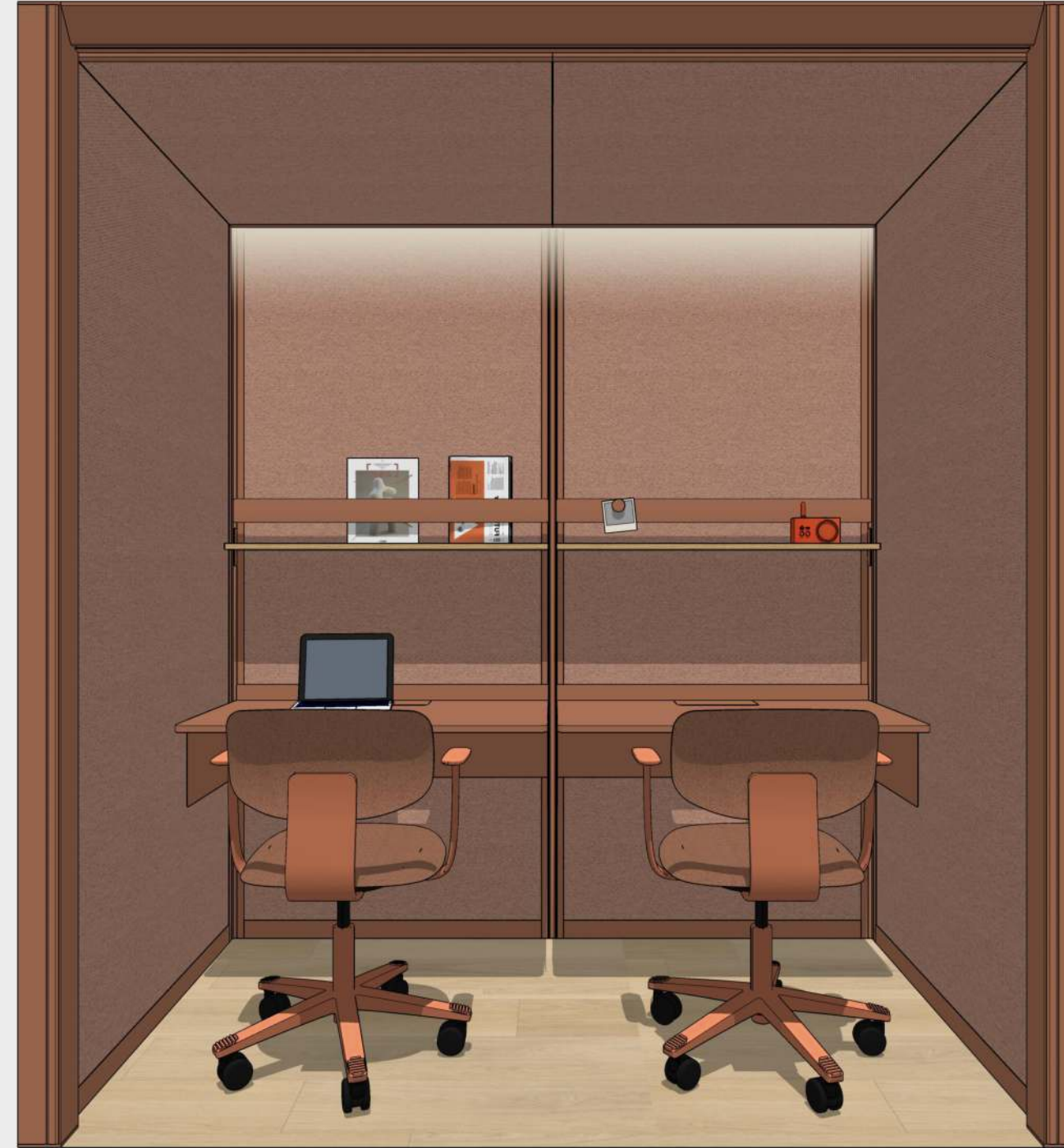
Function
Work

Capacity
2 people

Room type
Open

Modular Size
2x1

Variant
1



Preset

Work 2x1 p2.v2.0

Project based use only. The accessibility of a preset has to be confirmed individually before the order.

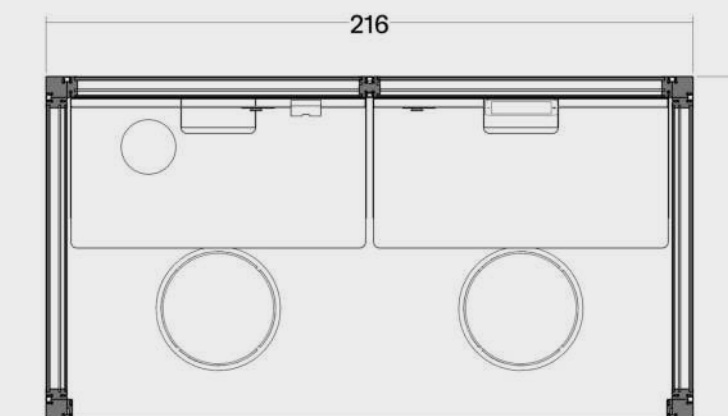
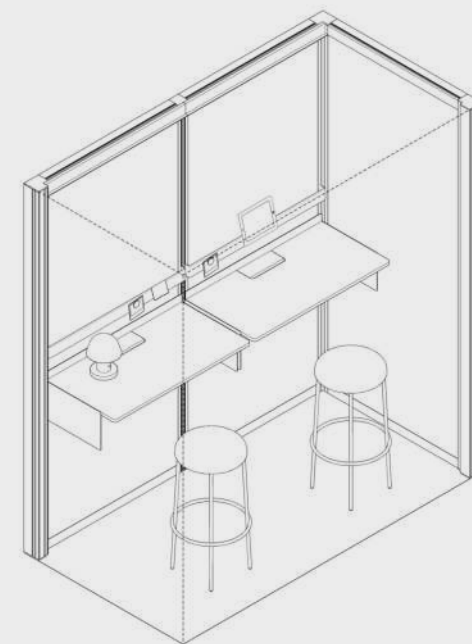
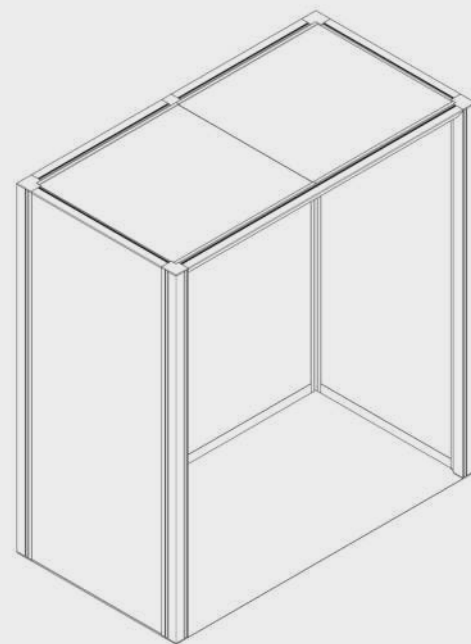
Function
Work

Capacity
2 people

Room type
Open

Modular Size
2x1

Variant
2



Preset

Work 2x1 p1.v1.0

Project based use only. The accessibility of a preset has to be confirmed individually before the order.

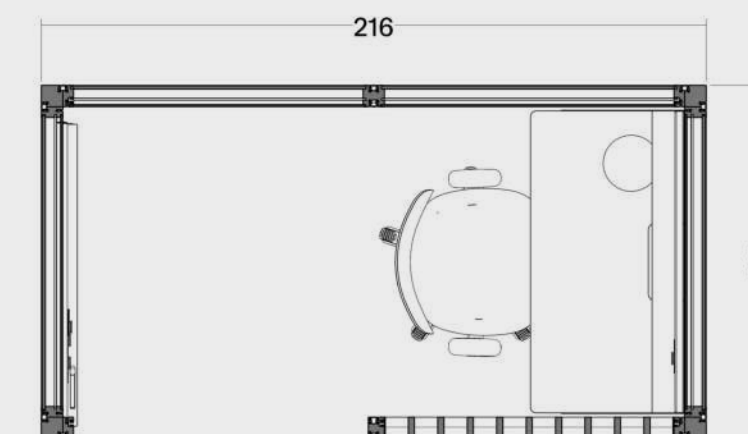
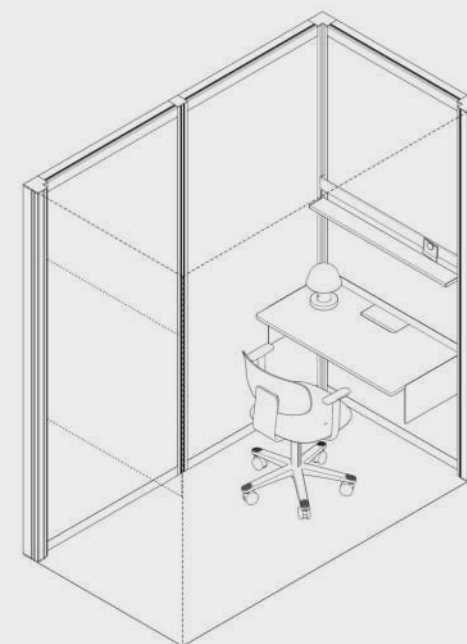
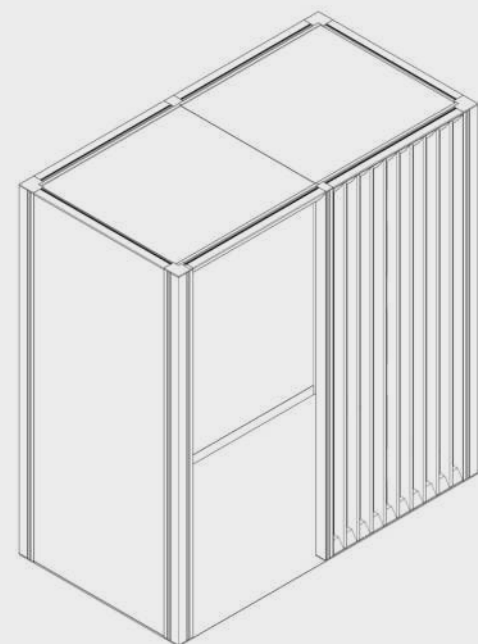
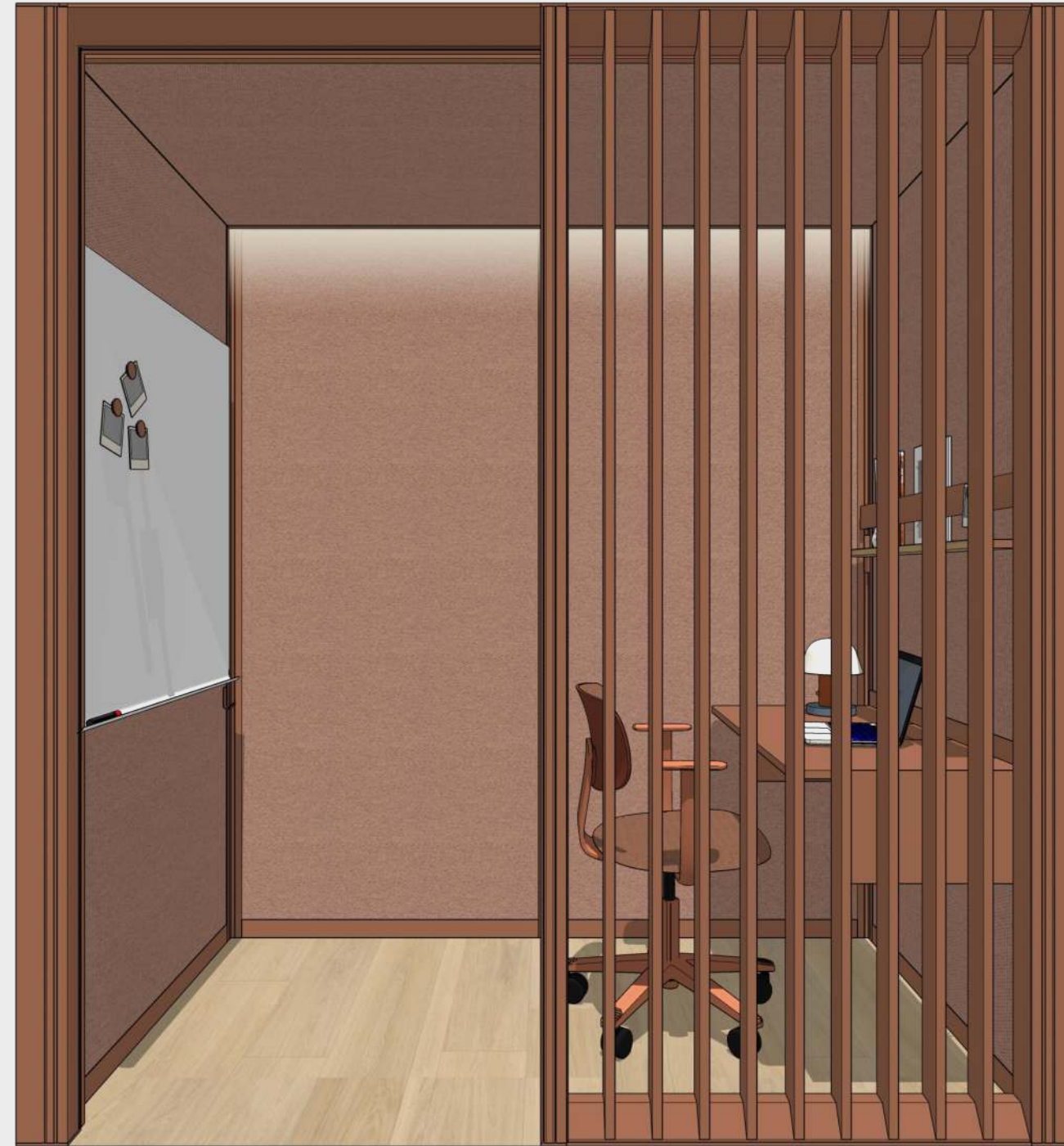
Function
Work

Capacity
1 person

Room type
Open

Modular Size
2x1

Variant
1



Preset

Work 2x1 p1.v2.0

Project based use only. The accessibility of a preset has to be confirmed individually before the order.

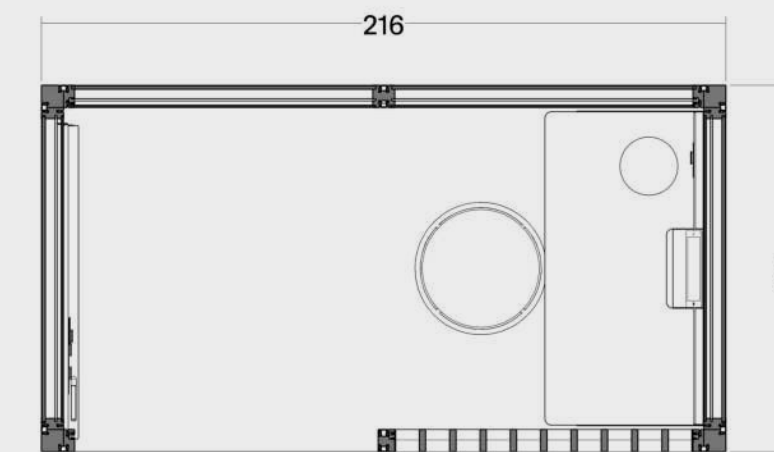
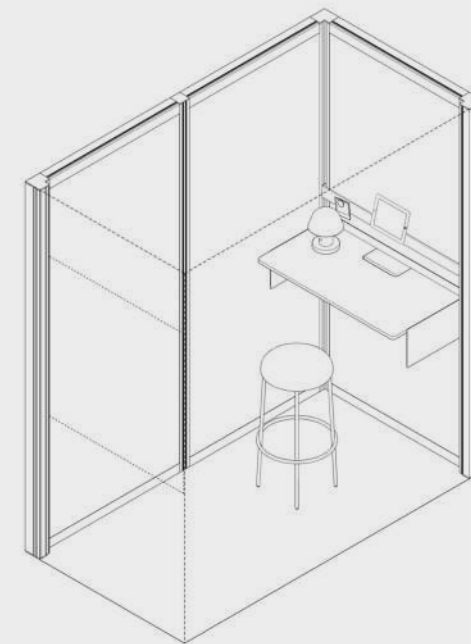
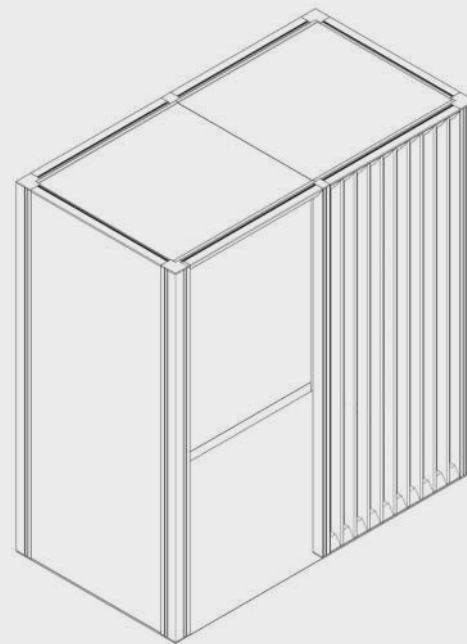
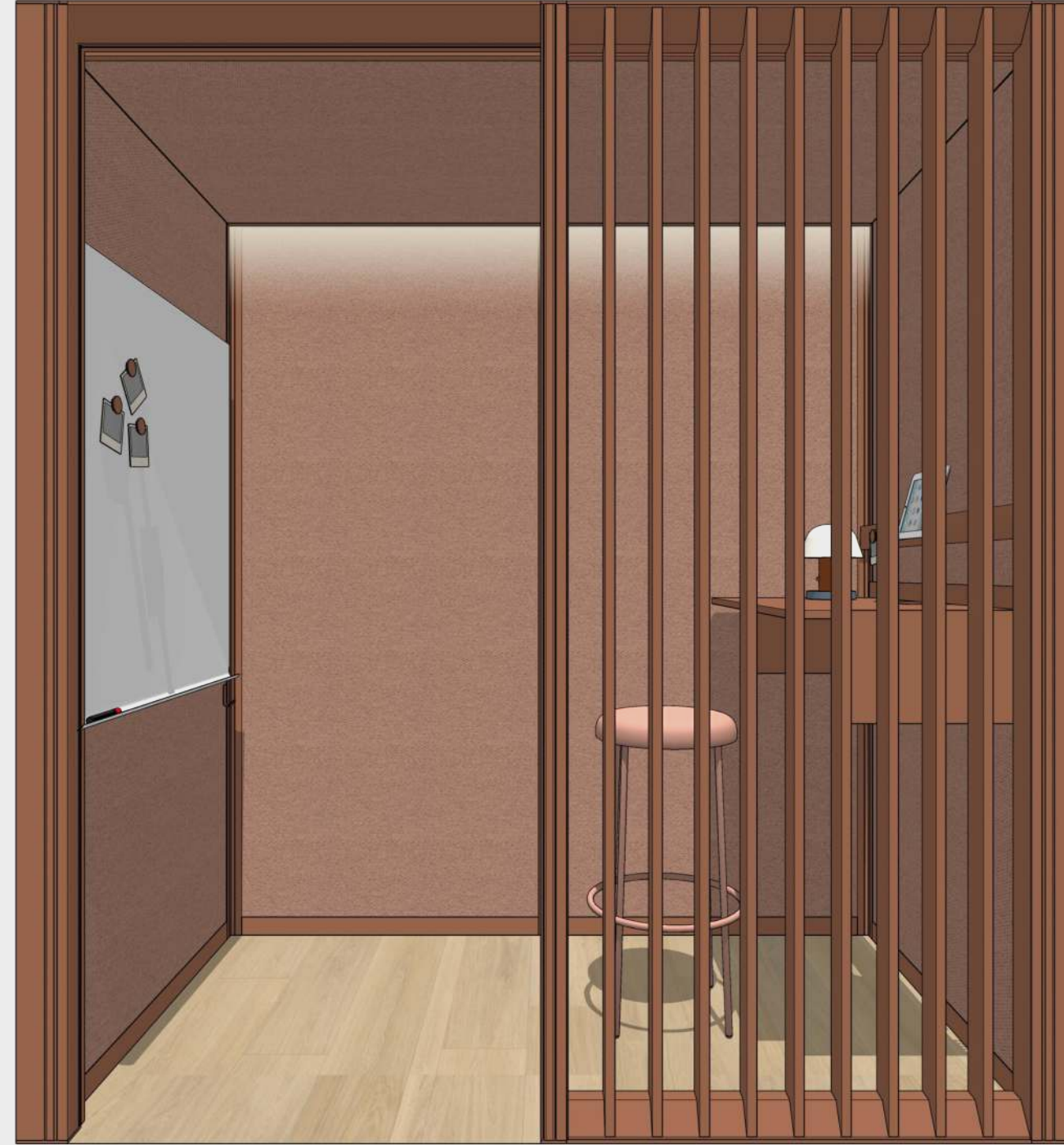
Function
Work

Capacity
1 person

Room type
Open

Modular Size
2x1

Variant
2



Preset

Work 2x1 p1.v1.C

Project based use only. The accessibility of a preset has to be confirmed individually before the order.

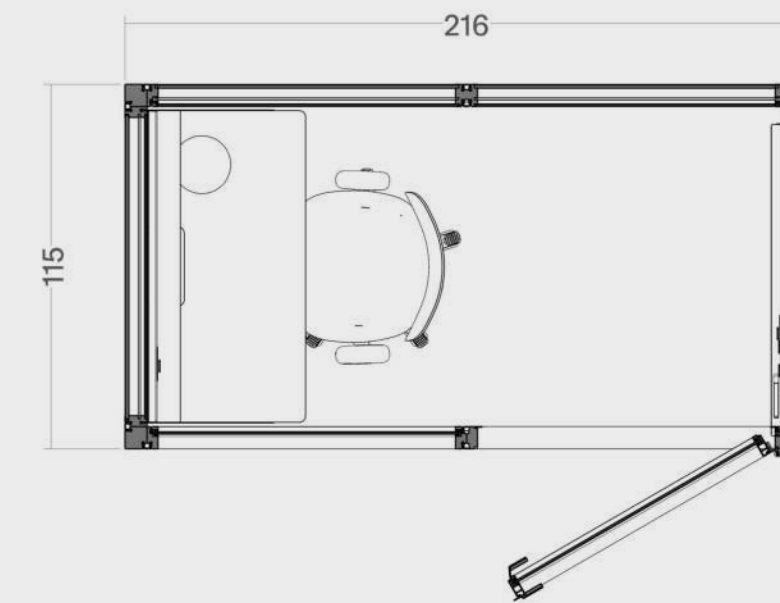
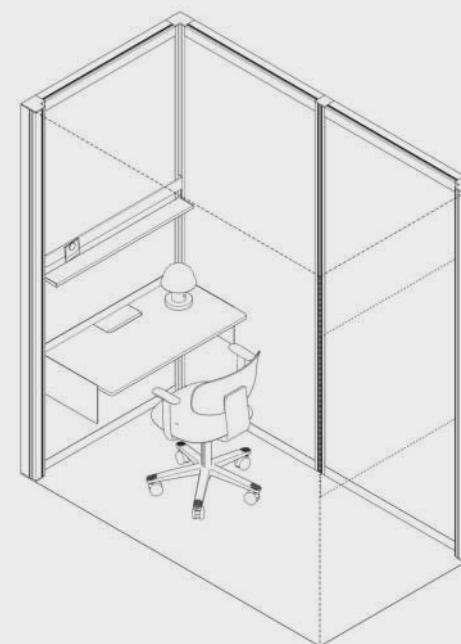
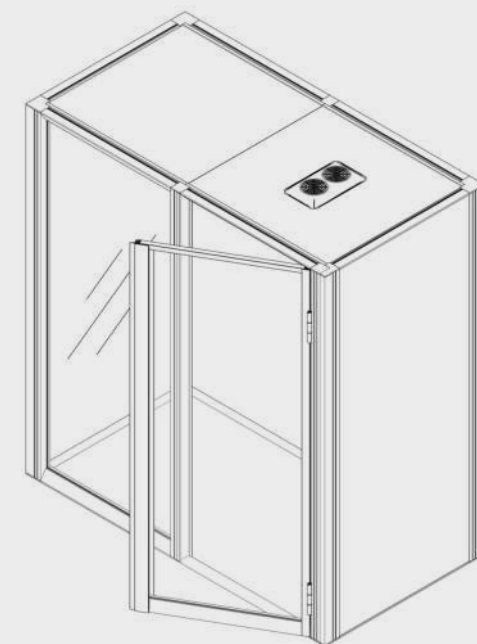
Function
Work

Capacity
1 person

Room type
Closed

Modular Size
2x1

Variant
1



Preset

Work 2x1 p1.v2.C

Project based use only. The accessibility of a preset has to be confirmed individually before the order.

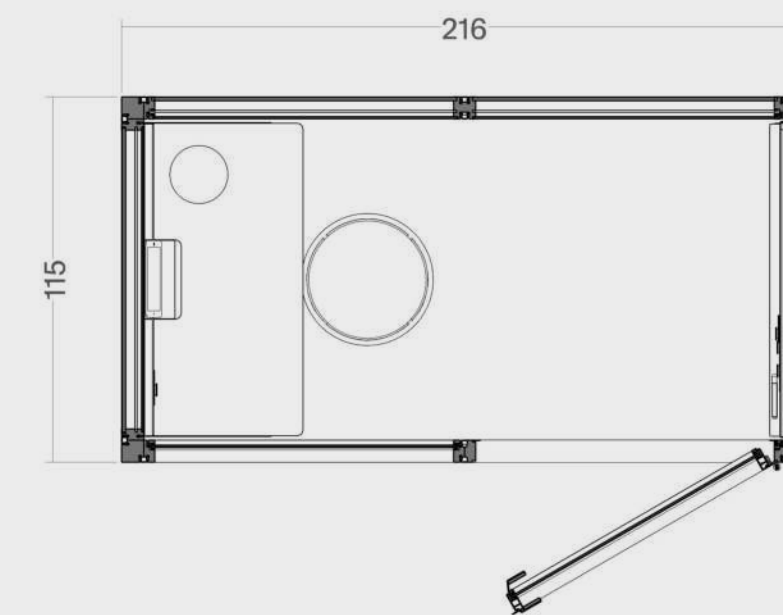
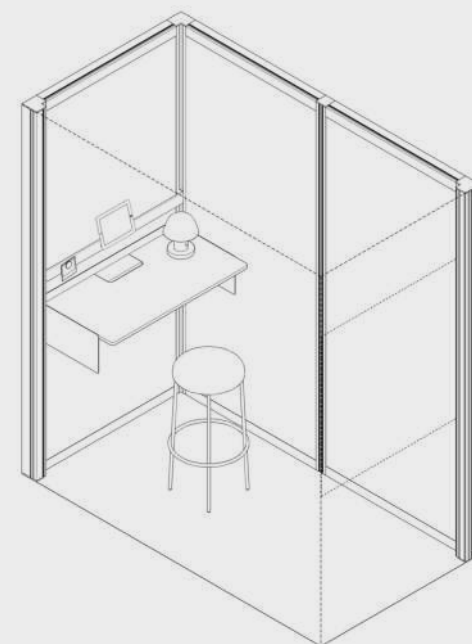
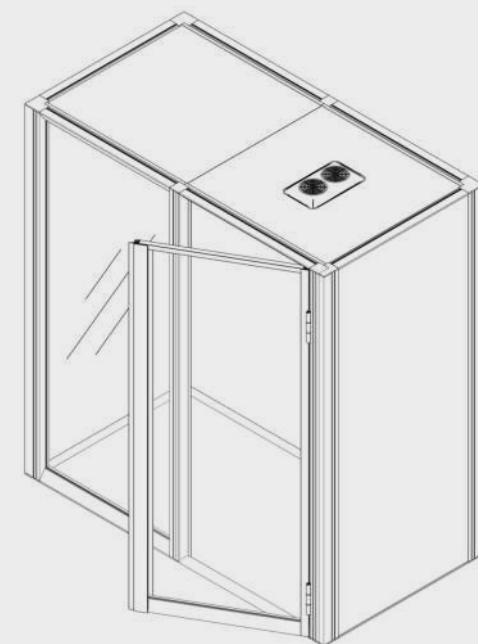
Function
Work

Capacity
1 person

Room type
Closed

Modular Size
2x1

Variant
2



Meet



OmniRoom | **MUTE.**

Preset

Meet 5x4 p8.v1.C

Project based use only. The accessibility of a preset has to be confirmed individually before the order.

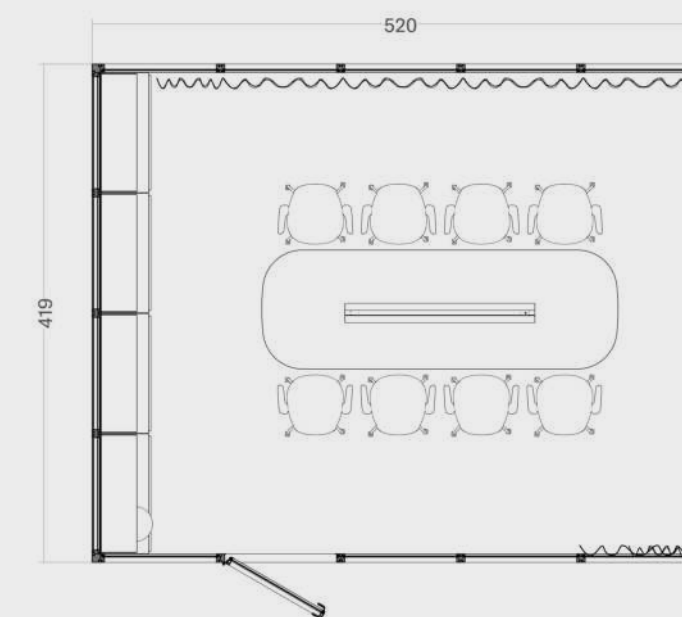
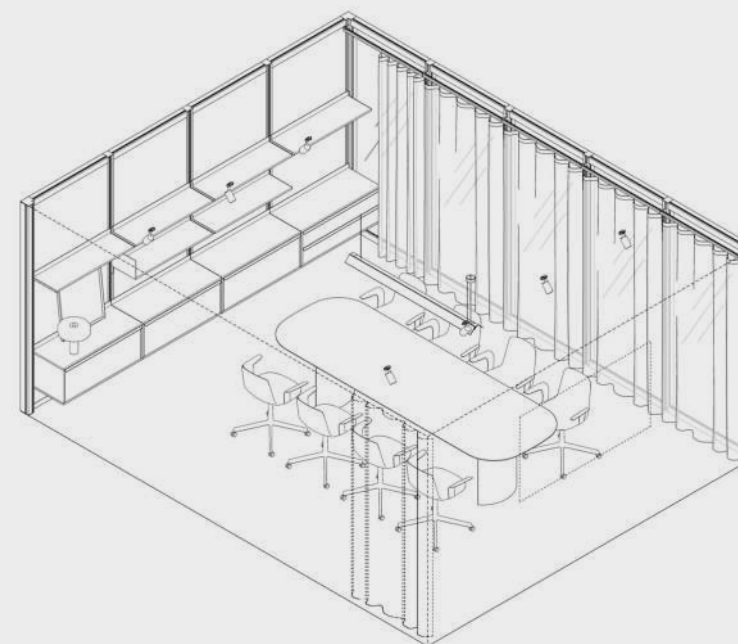
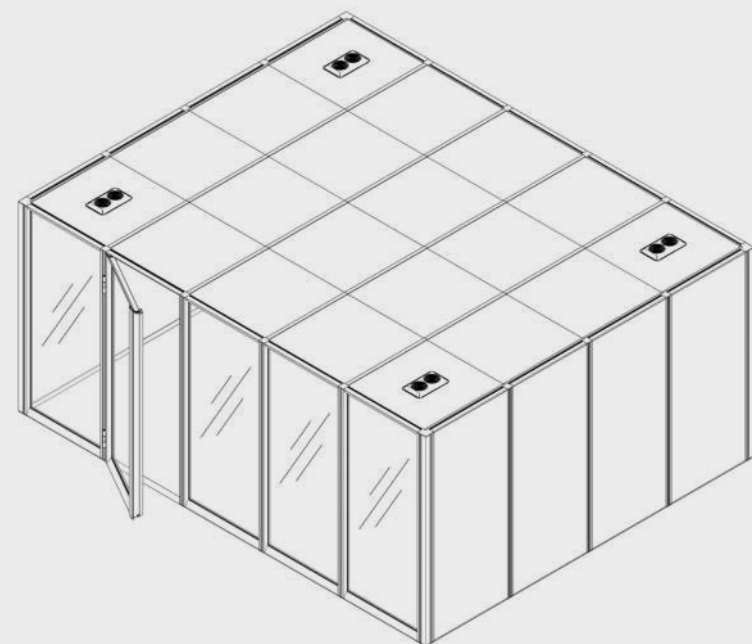
Function
Meet

Capacity
8 people

Room type
Closed

Modular Size
5x4

Variant
1



Preset

Meet 5x4 p6.v1.C

Project based use only. The accessibility of a preset has to be confirmed individually before the order.

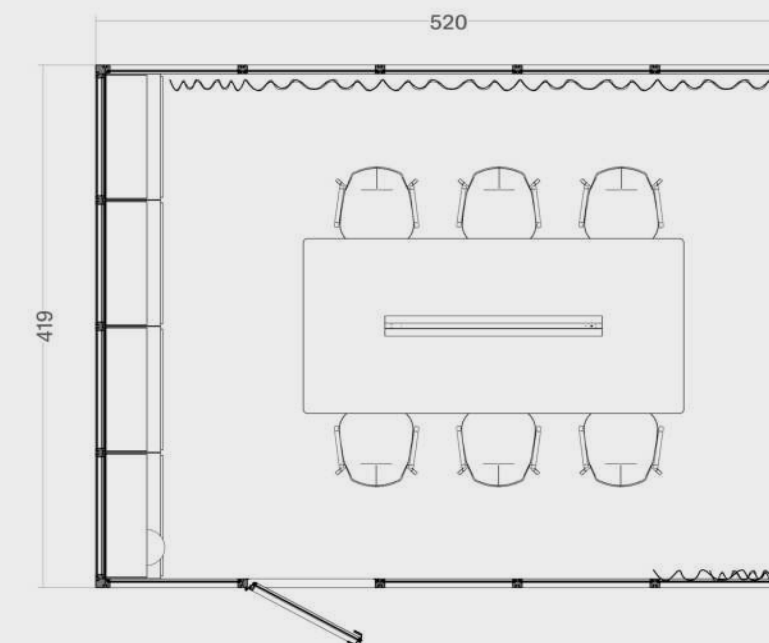
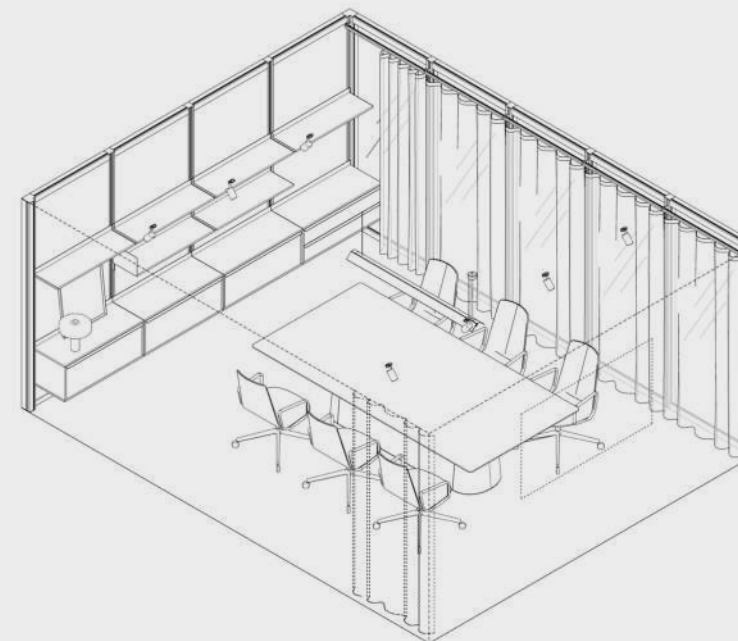
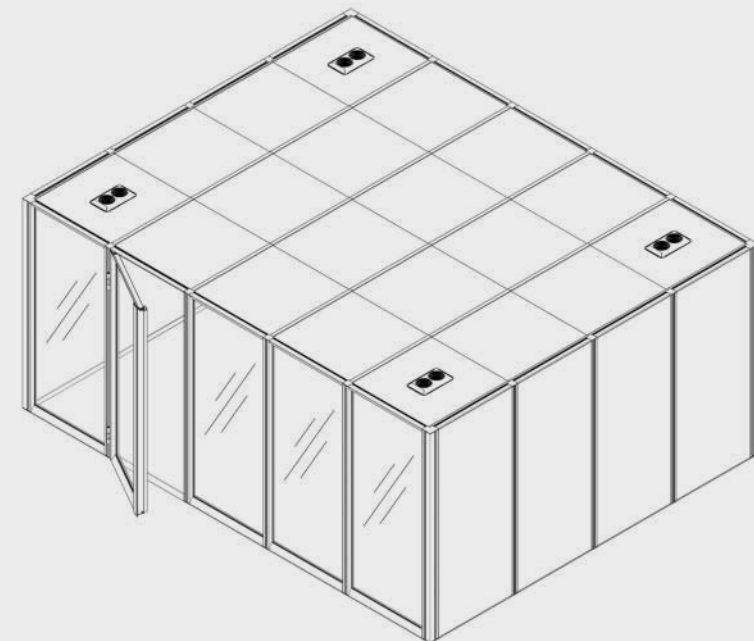
Function
Meet

Capacity
6 people

Room type
Closed

Modular Size
5x4

Variant
1



Preset

Meet 4x4 p6.v1.C

Project based use only. The accessibility of a preset has to be confirmed individually before the order.

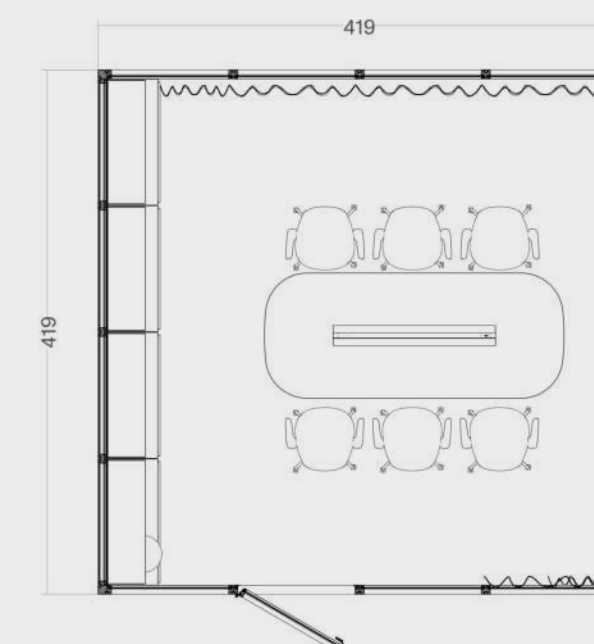
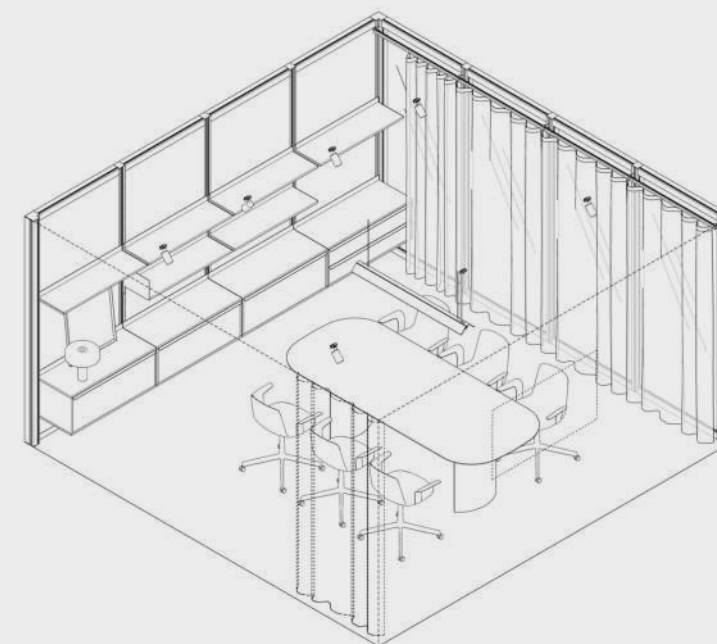
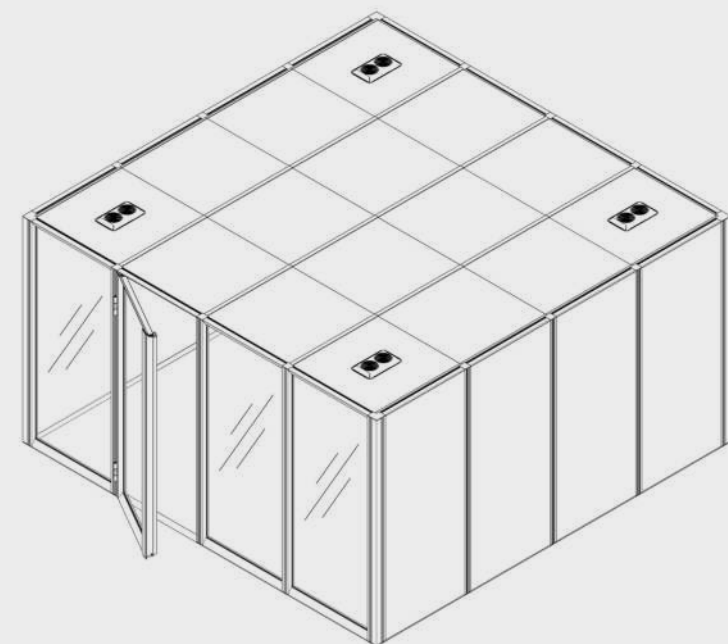
Function
Meet

Capacity
6 people

Room type
Closed

Modular Size
4x4

Variant
1



Preset

Meet 4x4 p4.v1.C

Project based use only. The accessibility of a preset has to be confirmed individually before the order.

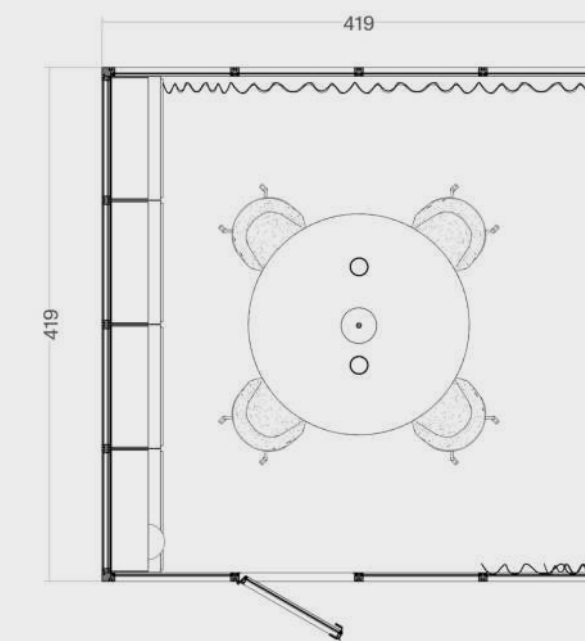
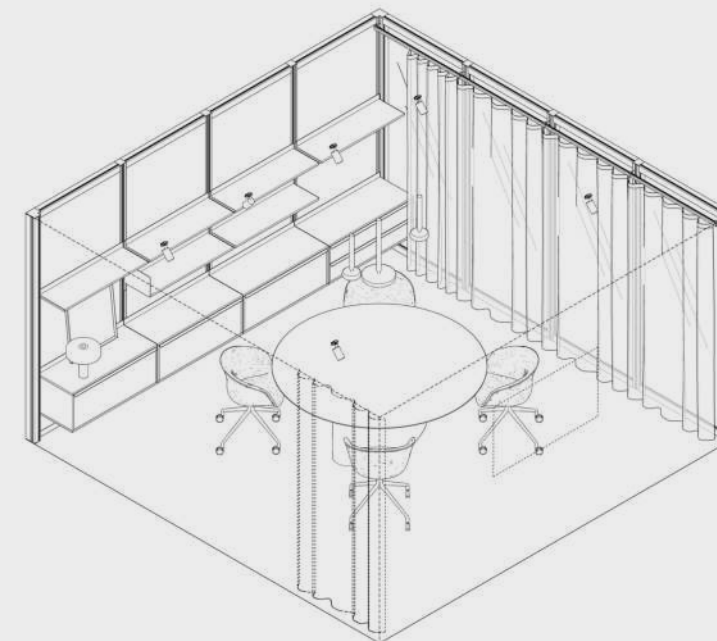
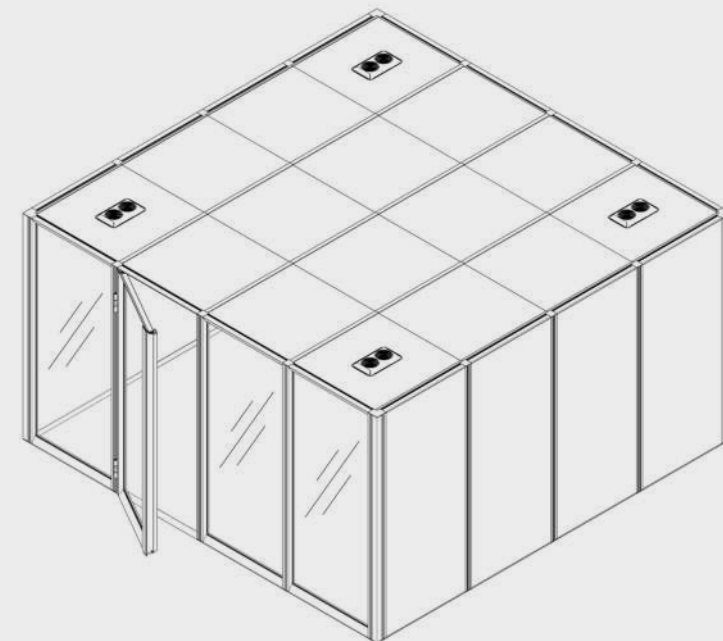
Function
Meet

Capacity
4 people

Room type
Closed

Modular Size
4x4

Variant
1



Preset

Meet 4x3 p6.v1.C

Project based use only. The accessibility of a preset has to be confirmed individually before the order.

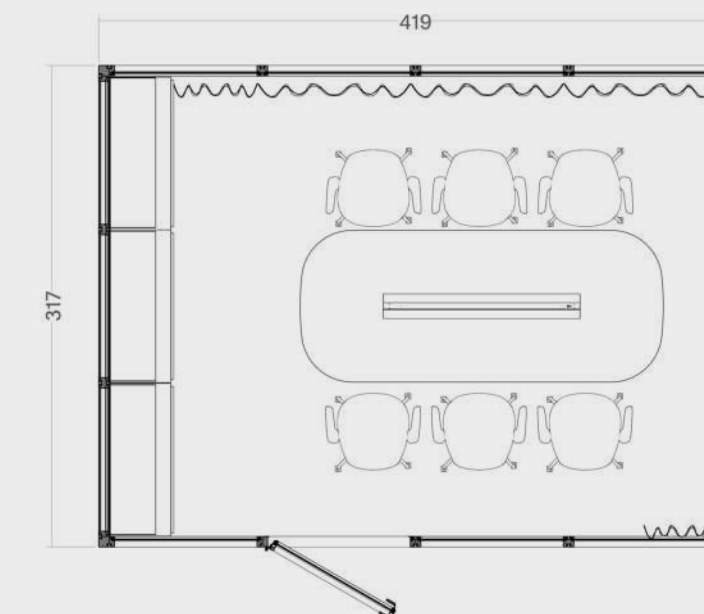
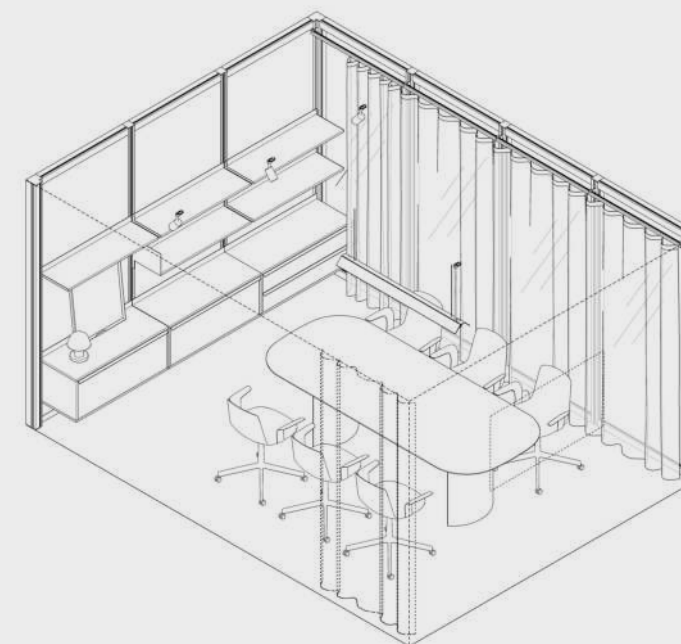
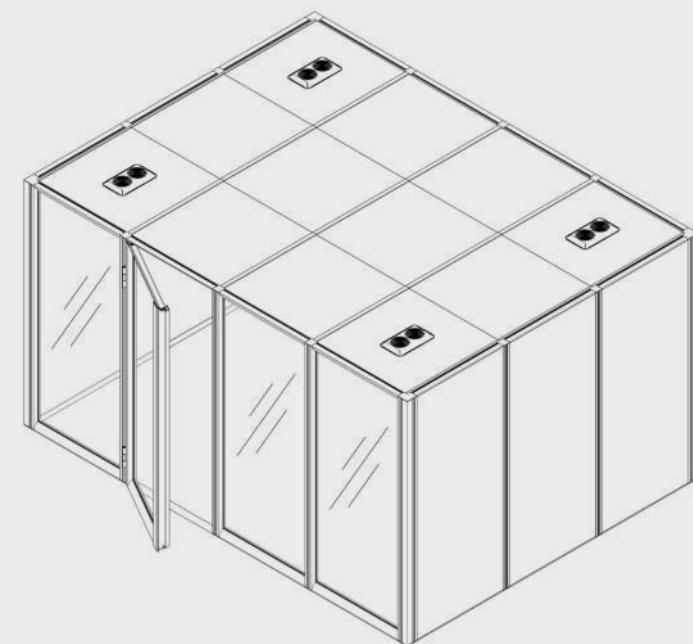
Function
Meet

Capacity
6 people

Room type
Closed

Modular Size
4x3

Variant
1



Preset

Meet 4x3 p6.v1.0

Project based use only. The accessibility of a preset has to be confirmed individually before the order.

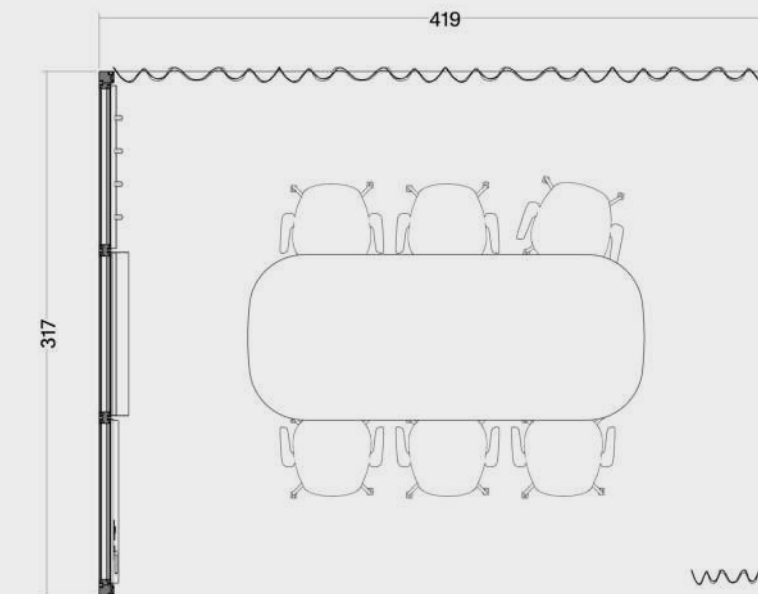
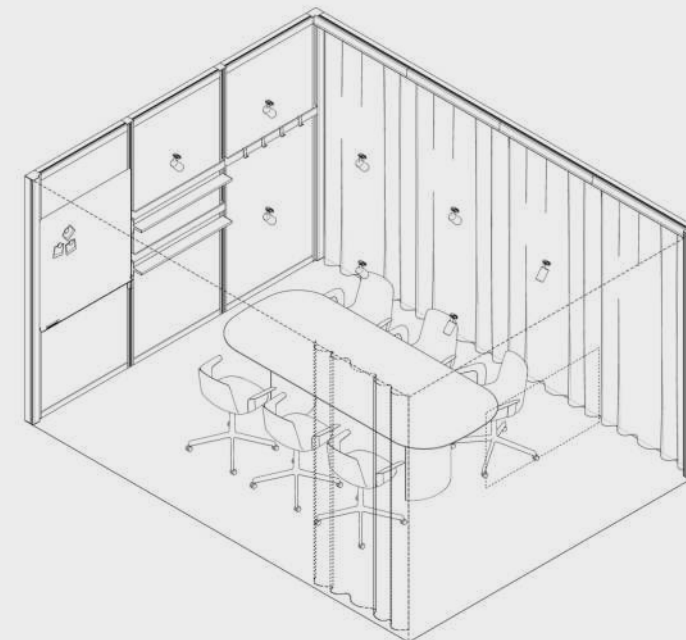
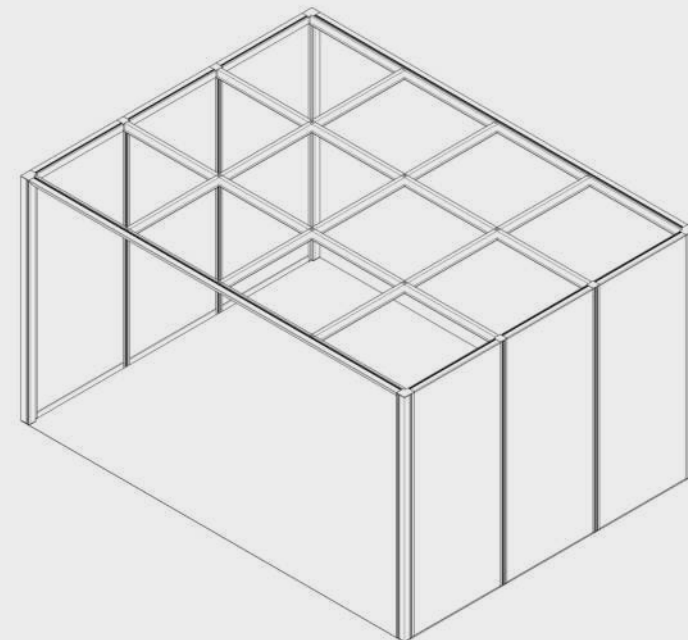
Function
Meet

Capacity
6 people

Room type
Open

Modular Size
4x3

Variant
1



Preset

Meet 4x3 p6.v2.0

Project based use only. The accessibility of a preset has to be confirmed individually before the order.

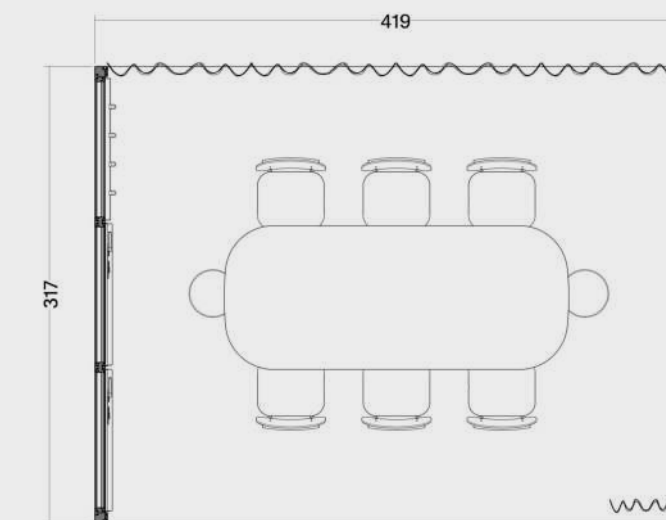
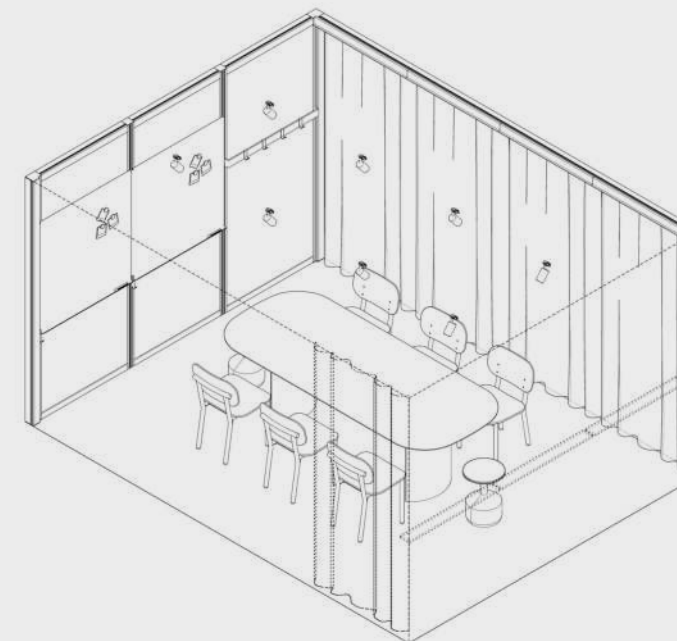
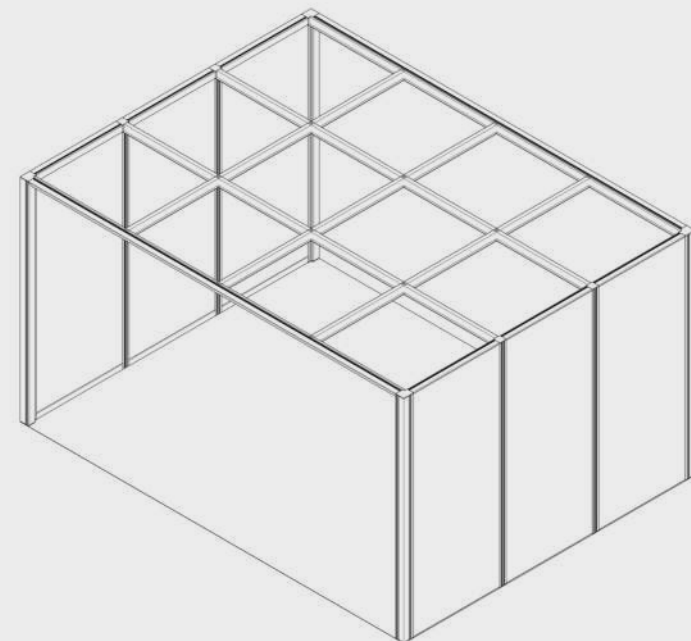
Function
Meet

Capacity
6 people

Room type
Open

Modular Size
4x3

Variant
2



Preset

Meet 4x3 p4.v1.C

Project based use only. The accessibility of a preset has to be confirmed individually before the order.

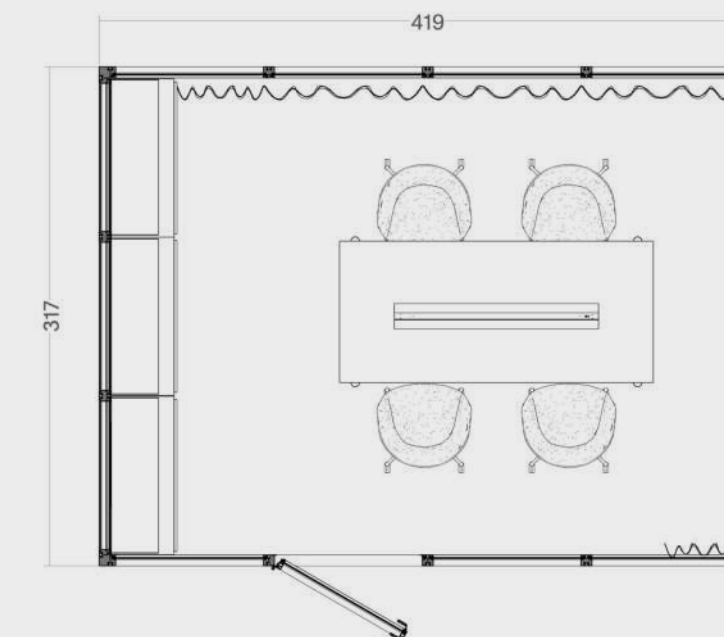
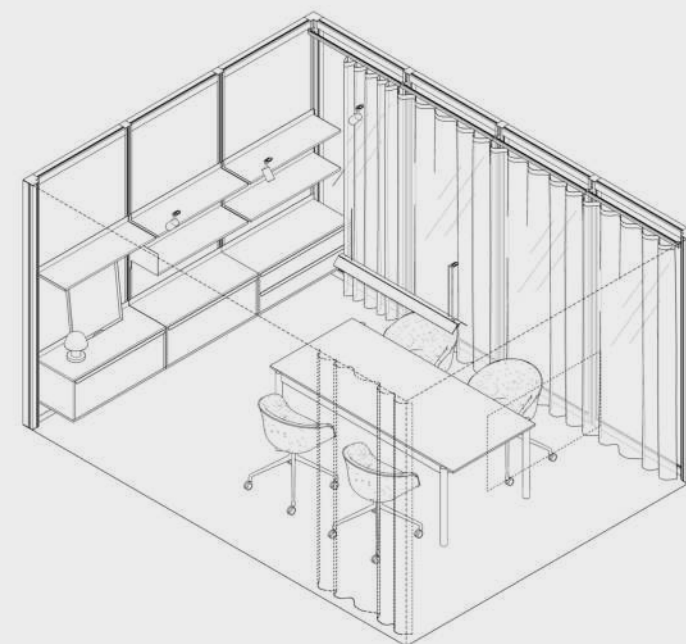
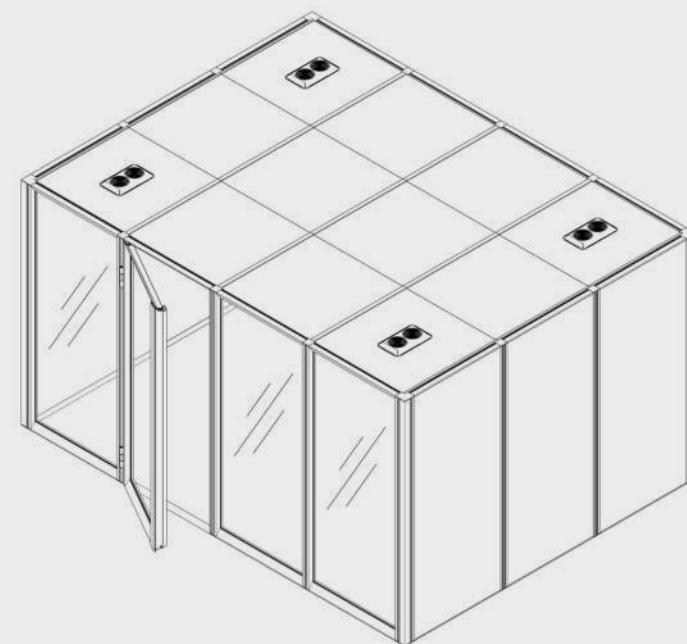
Function
Meet

Capacity
4 people

Room type
Closed

Modular Size
4x3

Variant
1



Preset

Meet 3x3 p6.v1.0

Project based use only. The accessibility of a preset has to be confirmed individually before the order.

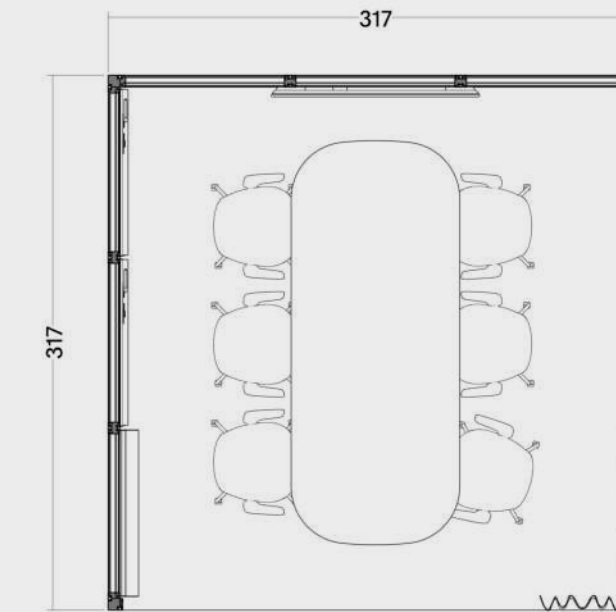
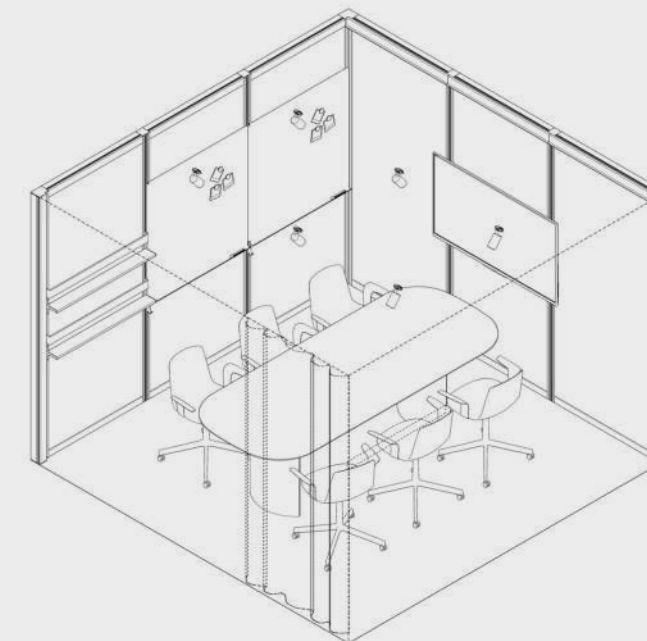
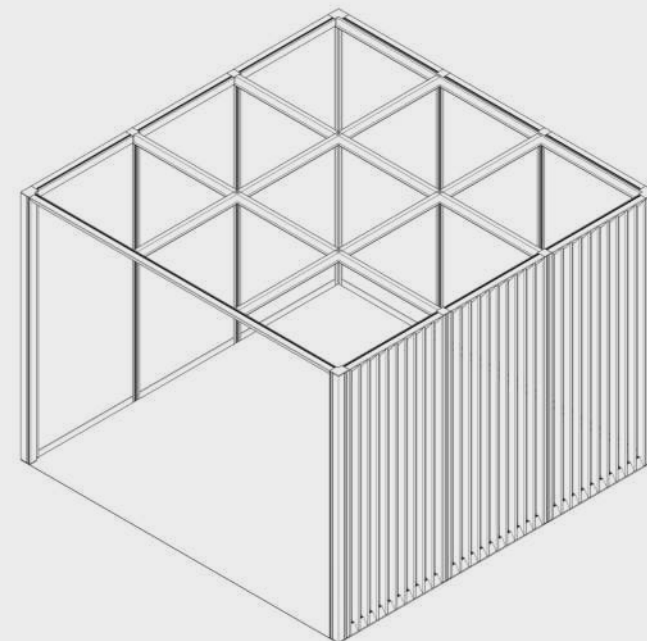
Function
Meet

Capacity
6 people

Room type
Open

Modular Size
3x3

Variant
1



Preset

Meet 3x3 p6.v2.0

Project based use only. The accessibility of a preset has to be confirmed individually before the order.

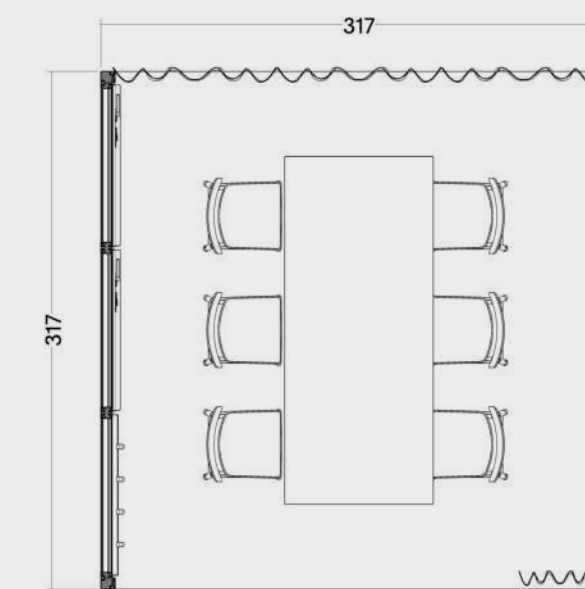
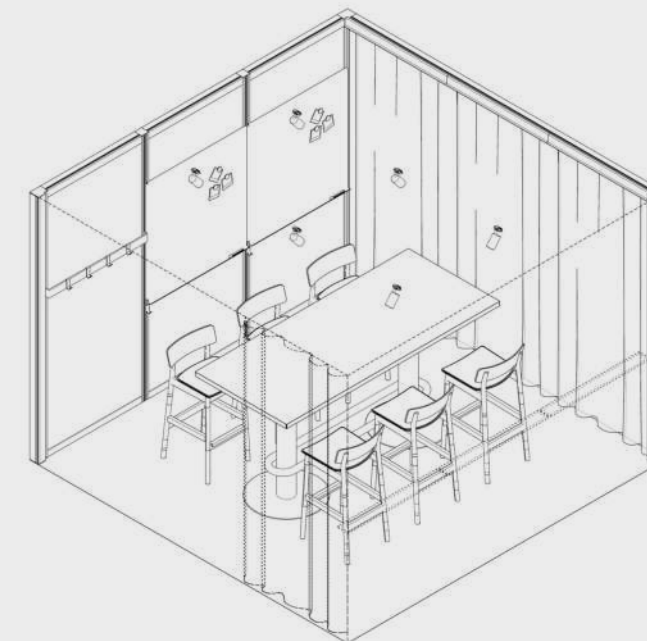
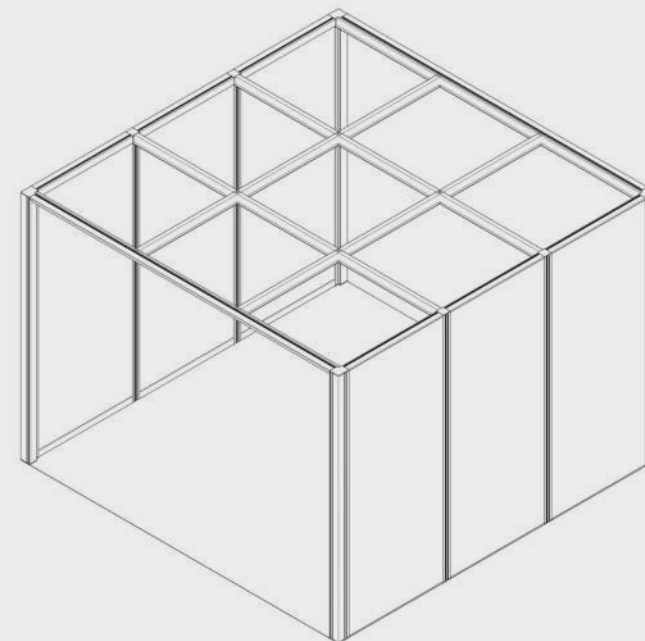
Function
Meet

Capacity
6 people

Room type
Open

Modular Size
3x3

Variant
2



Preset

Meet 3x3 p6.v3.0

Project based use only. The accessibility of a preset has to be confirmed individually before the order.

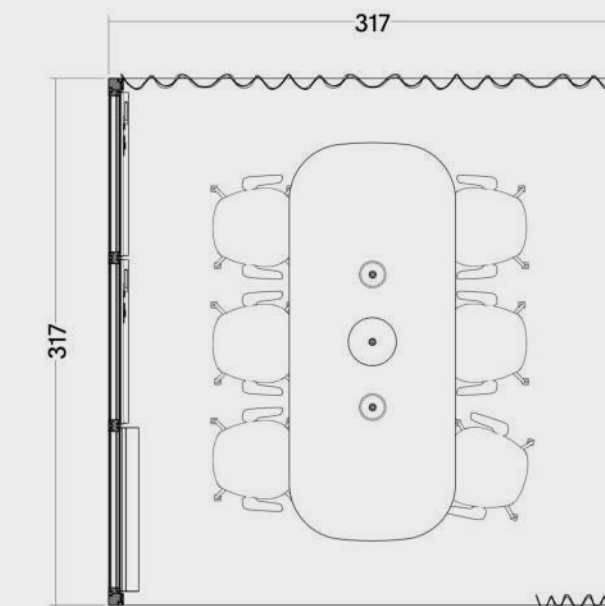
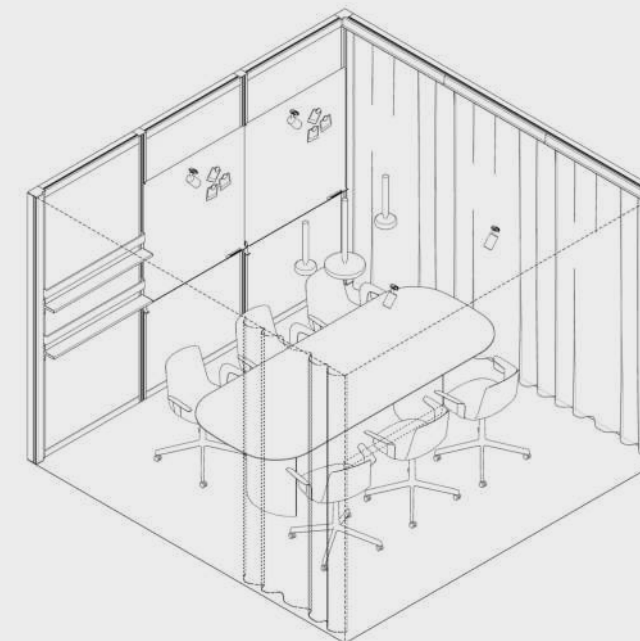
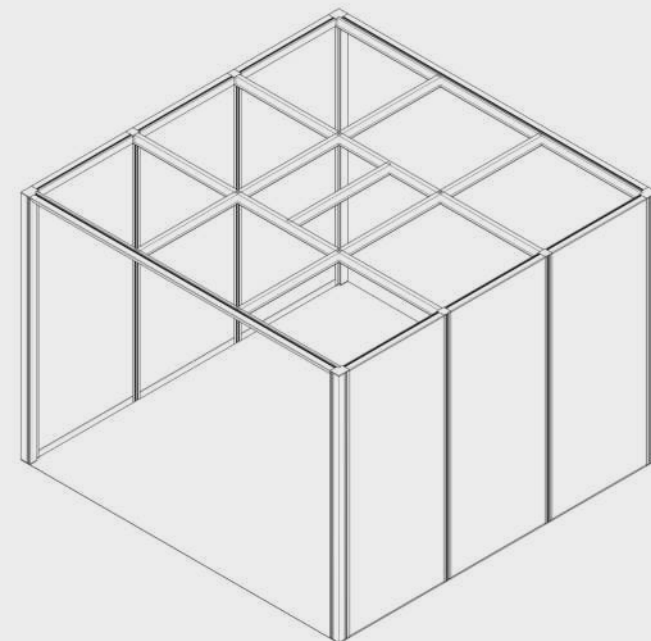
Function
Meet

Capacity
6 people

Room type
Open

Modular Size
3x3

Variant
3



Preset

Meet 3x3 p4.v1.C

Project based use only. The accessibility of a preset has to be confirmed individually before the order.

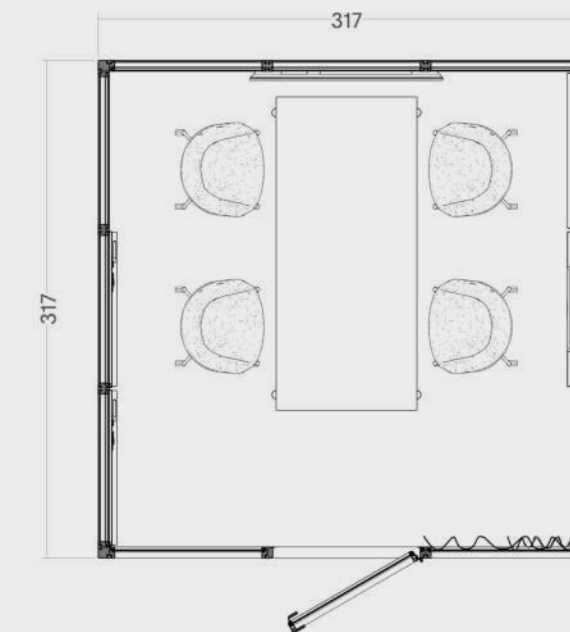
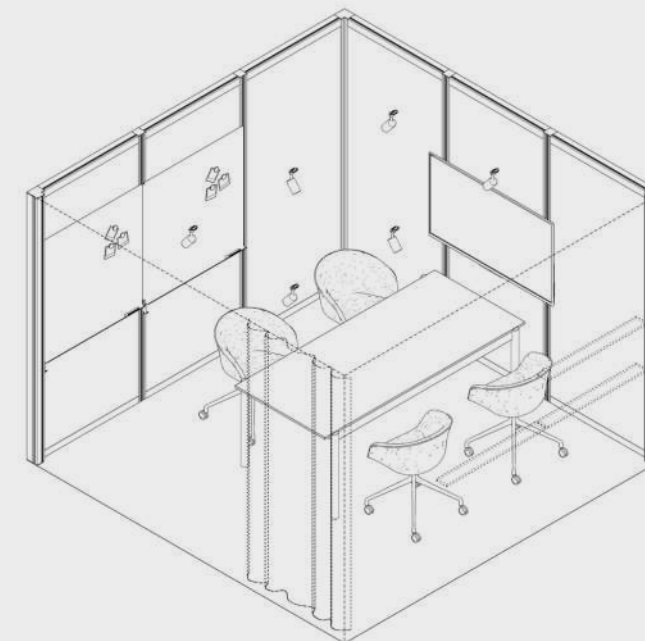
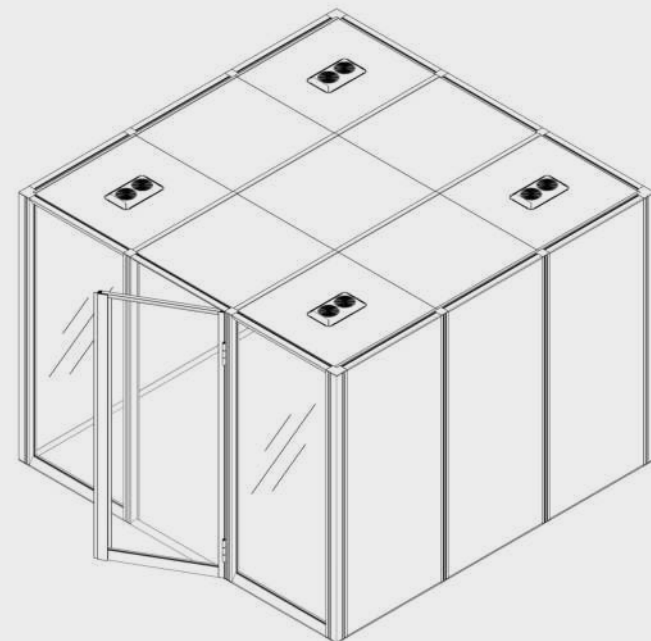
Function
Meet

Capacity
4 people

Room type
Closed

Modular Size
3x3

Variant
1



Preset

Meet 3x3 p4.v2.C

Project based use only. The accessibility of a preset has to be confirmed individually before the order.

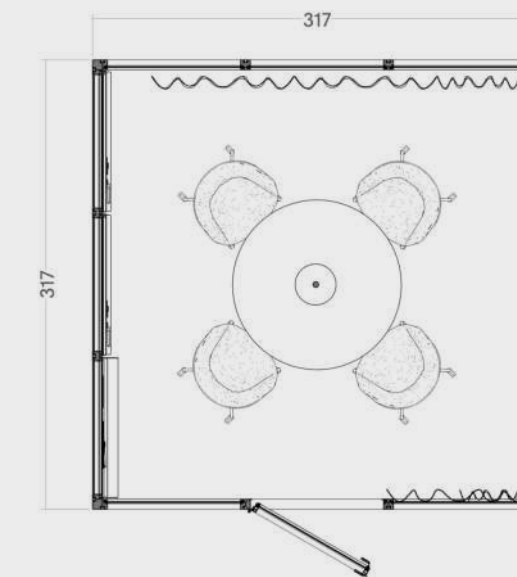
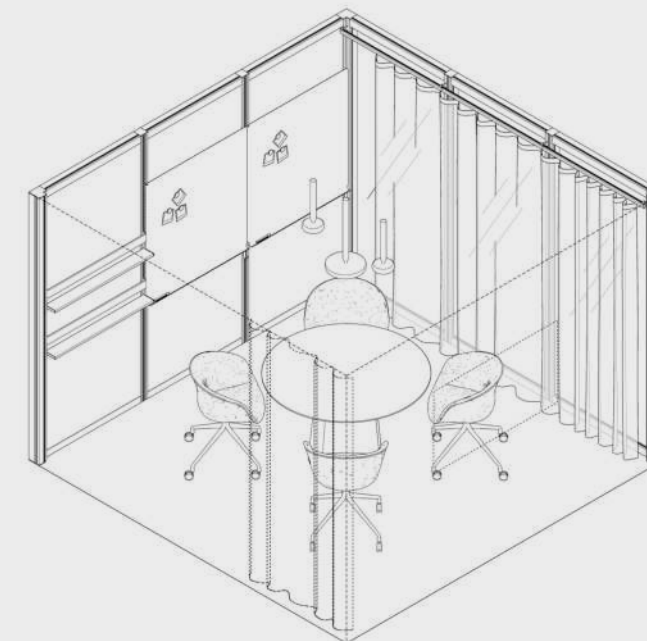
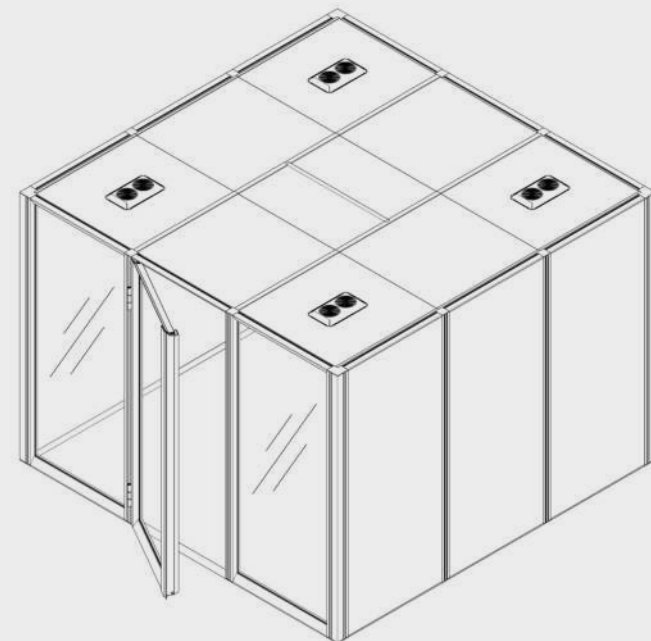
Function
Meet

Capacity
4 people

Room type
Closed

Modular Size
3x3

Variant
2



Preset

Meet 3x3 p4.v3.C

Project based use only. The accessibility of a preset has to be confirmed individually before the order.

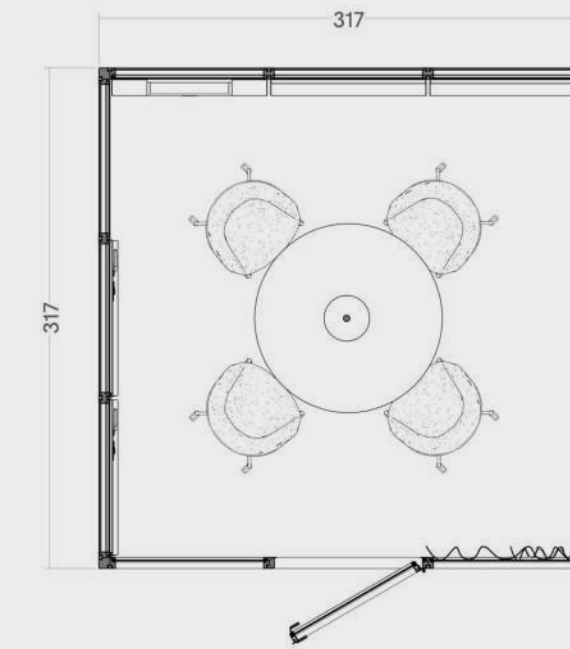
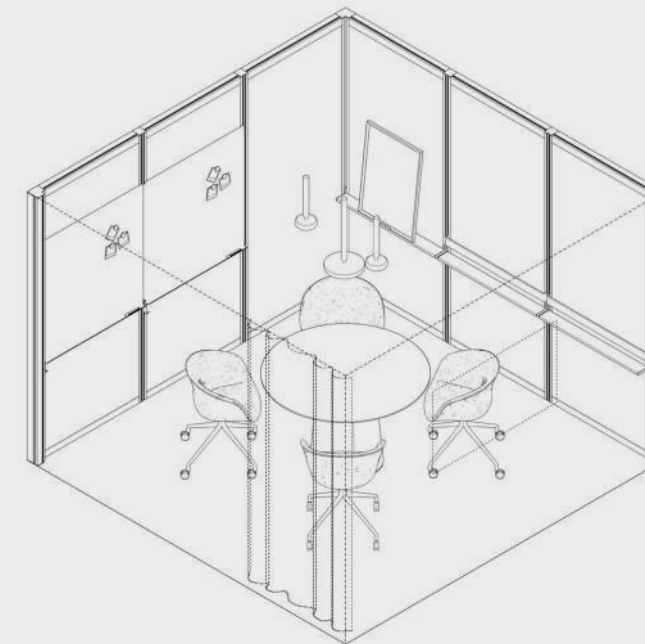
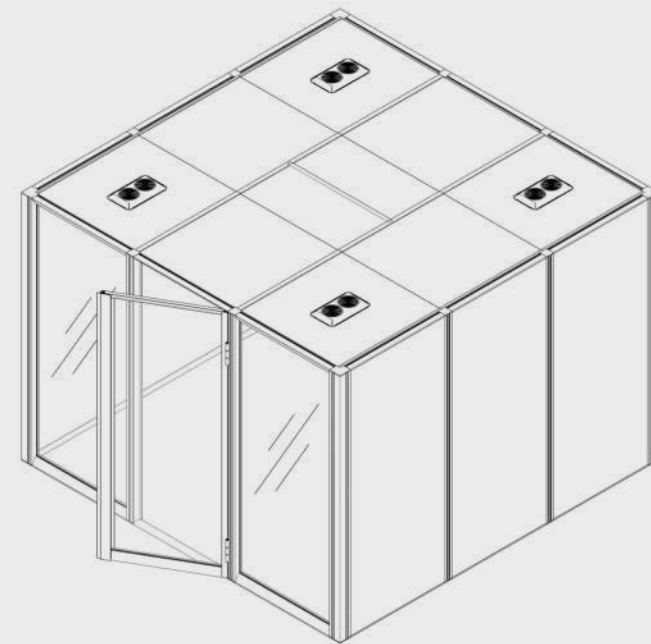
Function
Meet

Capacity
4 people

Room type
Closed

Modular Size
3x3

Variant
3



Preset

Meet 3x3 p4.v1.0

Project based use only. The accessibility of a preset has to be confirmed individually before the order.

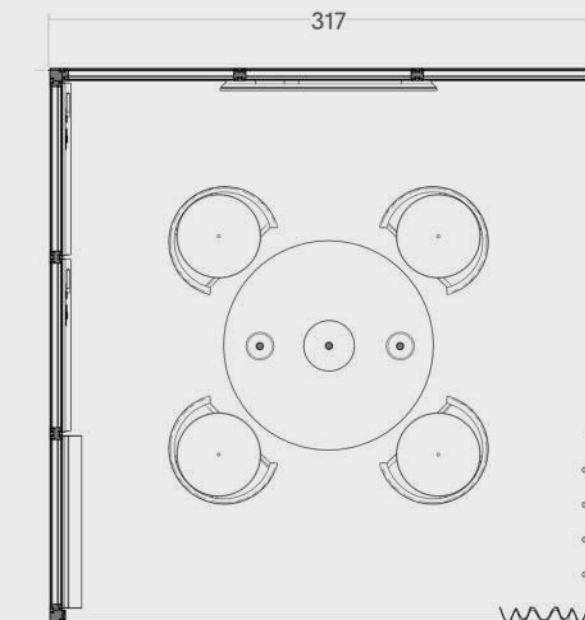
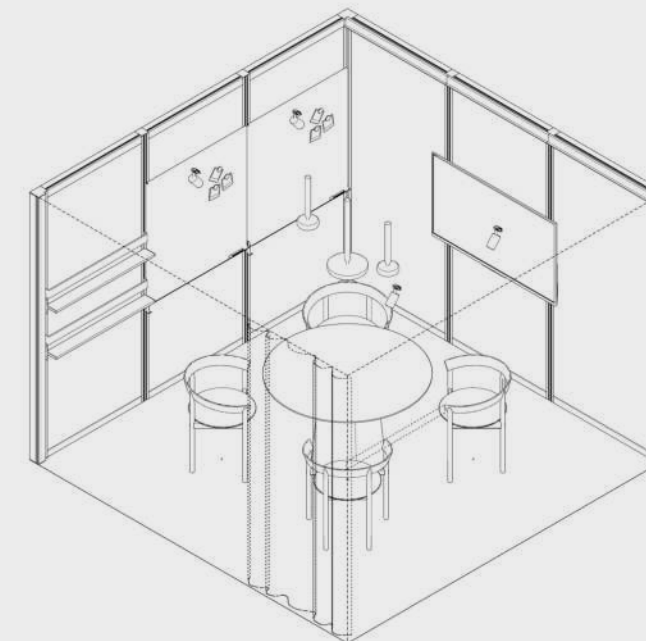
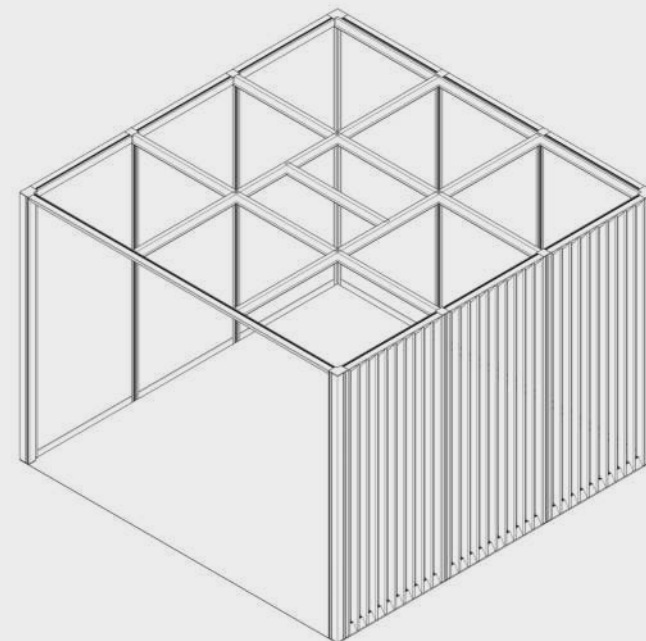
Function
Meet

Capacity
4 people

Room type
Open

Modular Size
3x3

Variant
1



Preset

Meet 3x3 p4.v2.0

Project based use only. The accessibility of a preset has to be confirmed individually before the order.

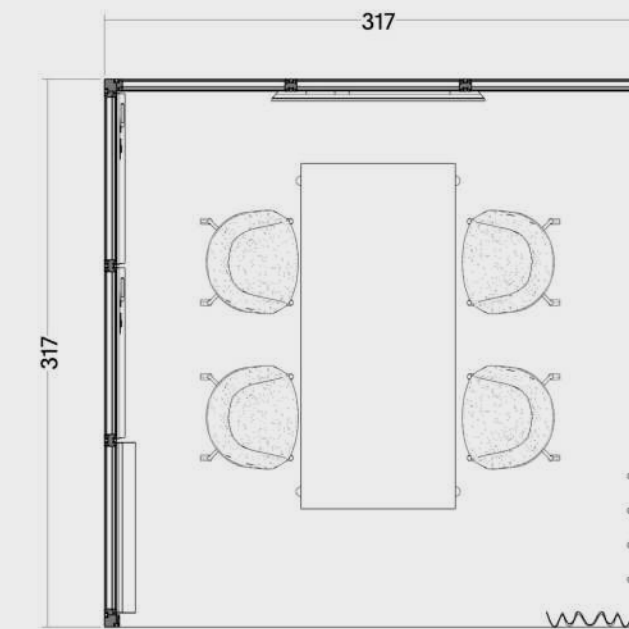
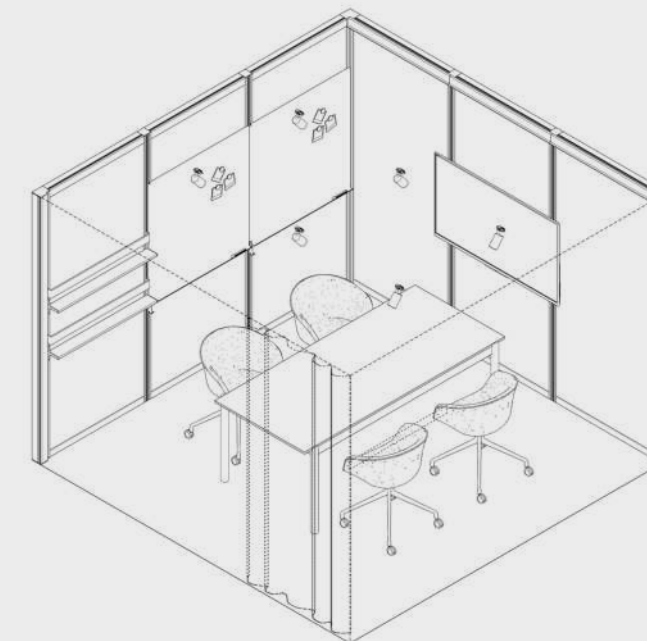
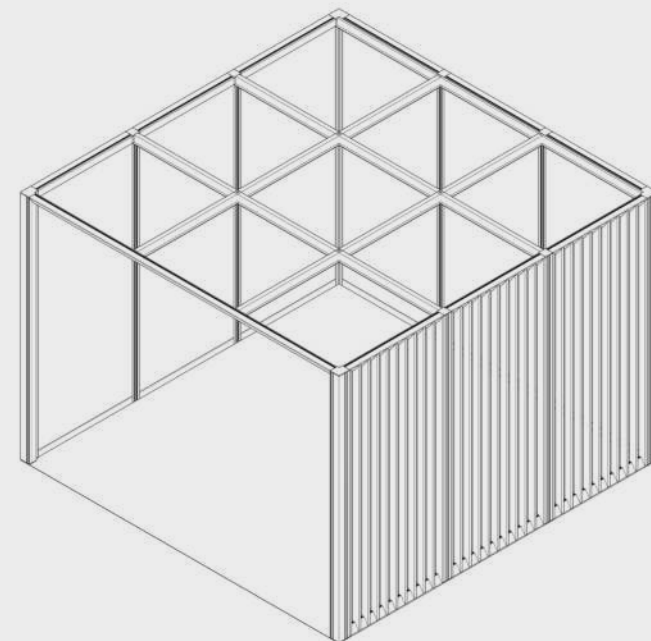
Function
Meet

Capacity
4 people

Room type
Open

Modular Size
3x3

Variant
2



Preset

Meet 3x3 p4.v3.0

Project based use only. The accessibility of a preset has to be confirmed individually before the order.

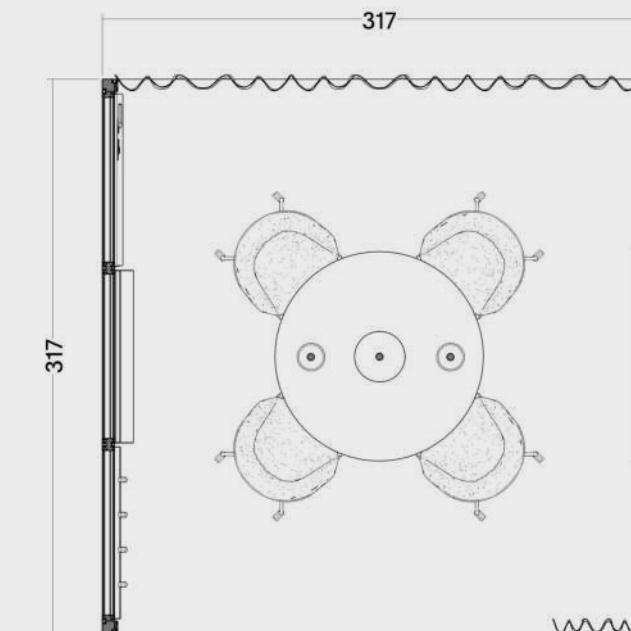
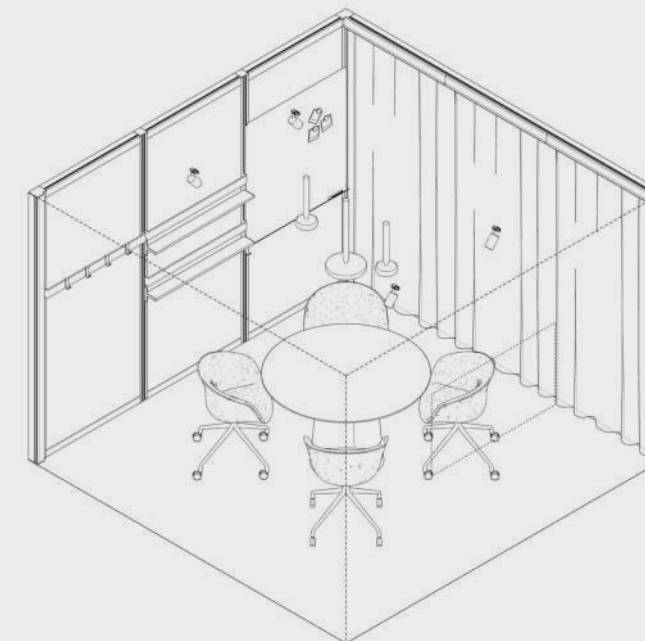
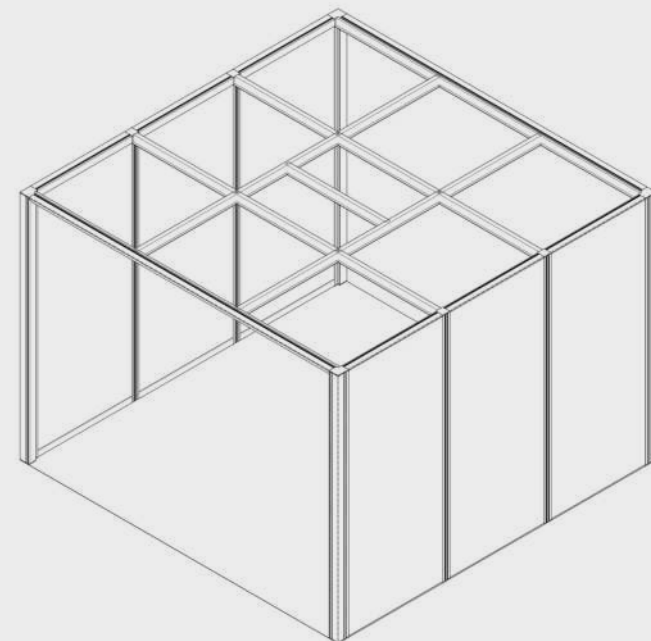
Function
Meet

Capacity
4 people

Room type
Open

Modular Size
3x3

Variant
3



Preset

Meet 3x3 p4.v4.0

Project based use only. The accessibility of a preset has to be confirmed individually before the order.

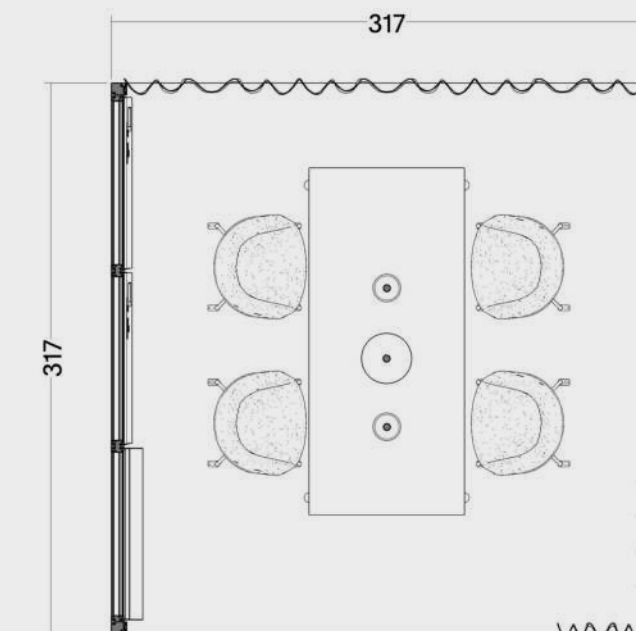
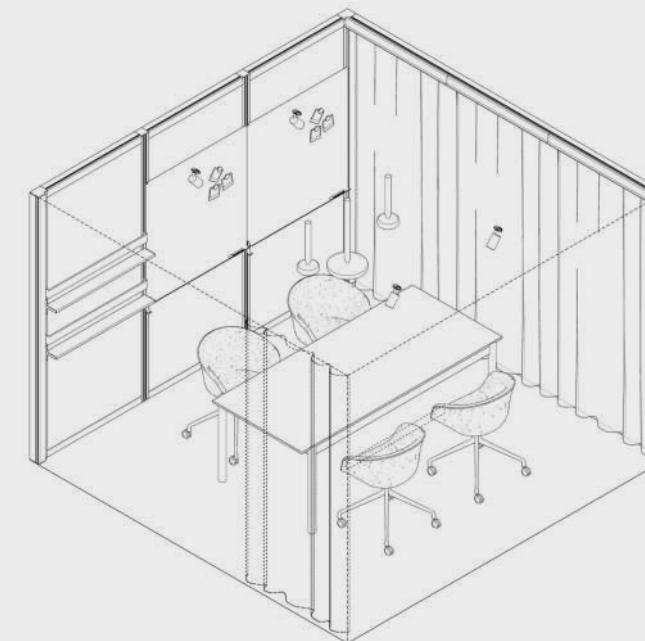
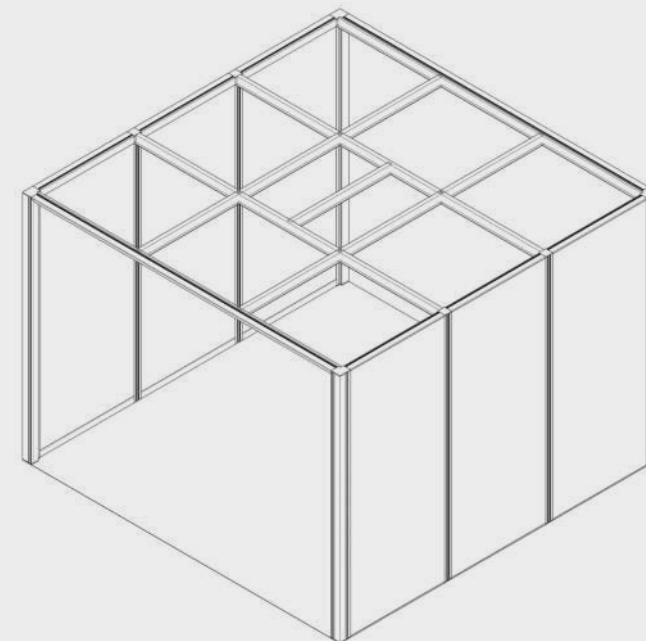
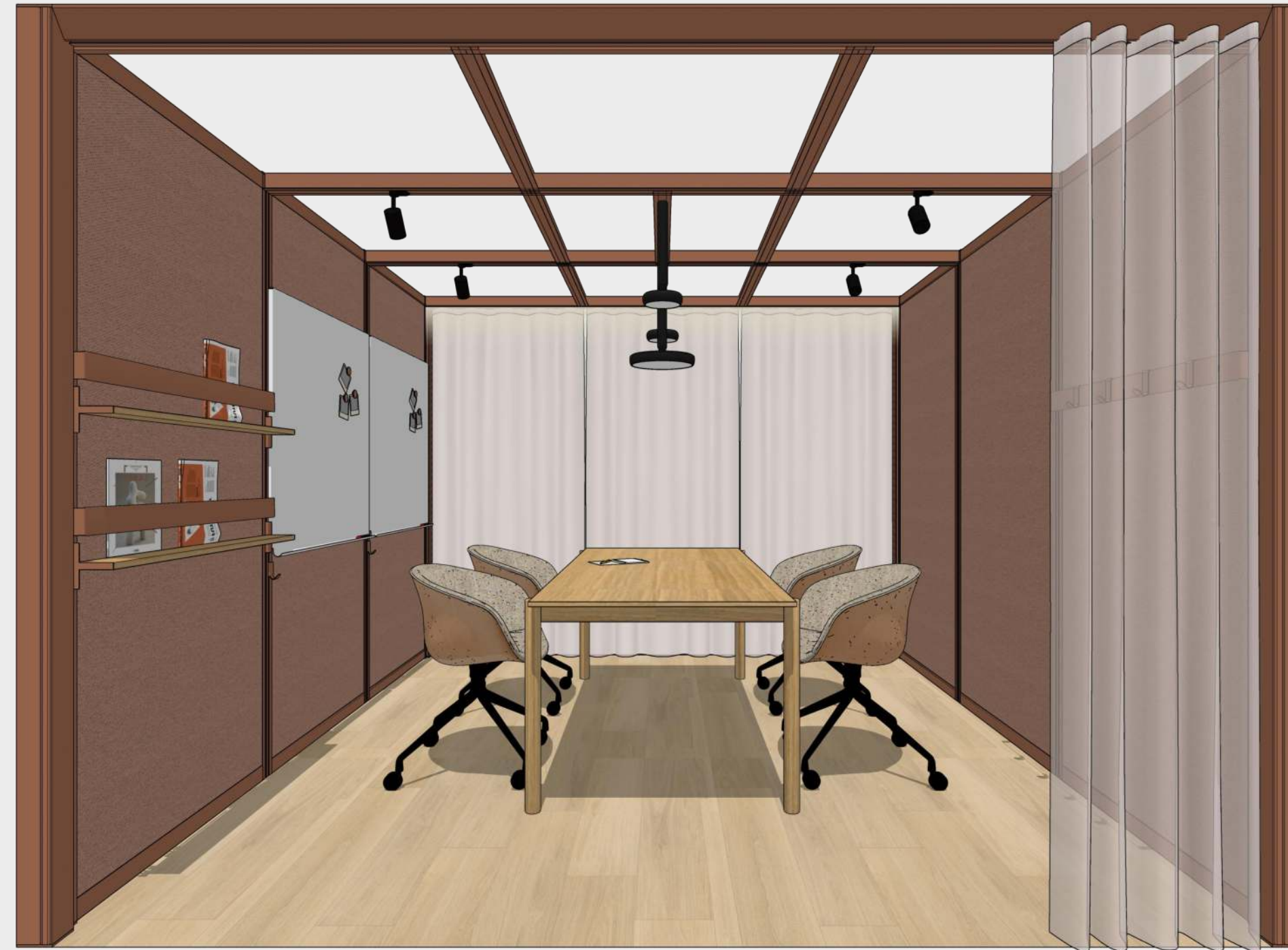
Function
Meet

Capacity
4 people

Room type
Open

Modular Size
3x3

Variant
4



Preset

Meet 3x3 p3.v1.C

Project based use only. The accessibility of a preset has to be confirmed individually before the order.

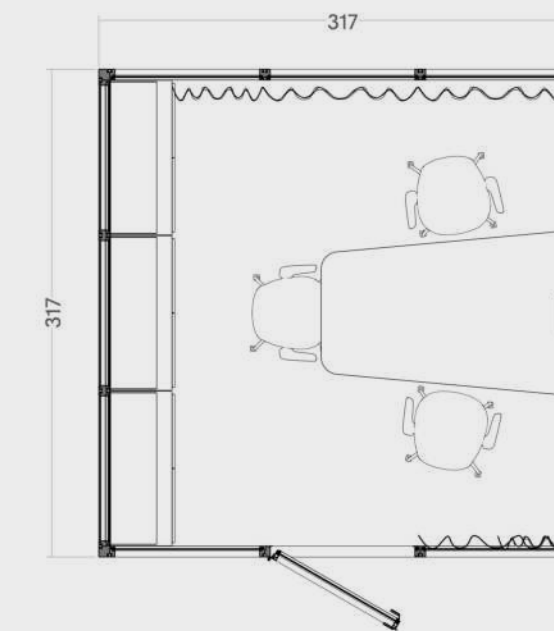
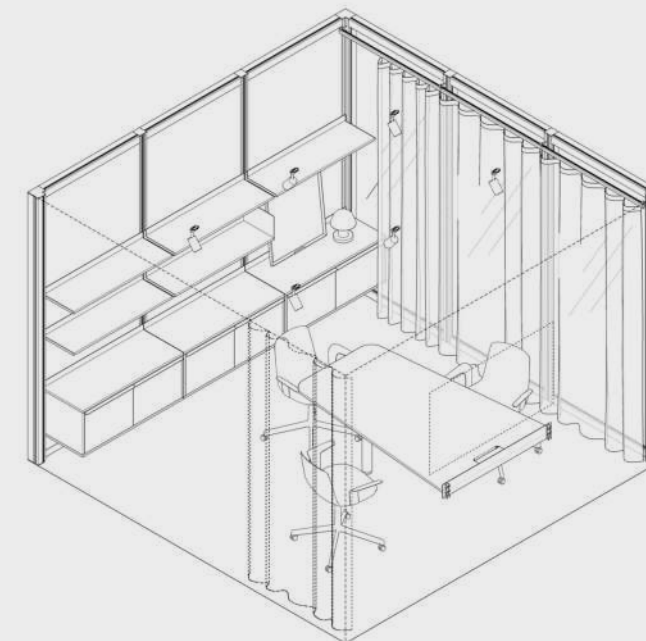
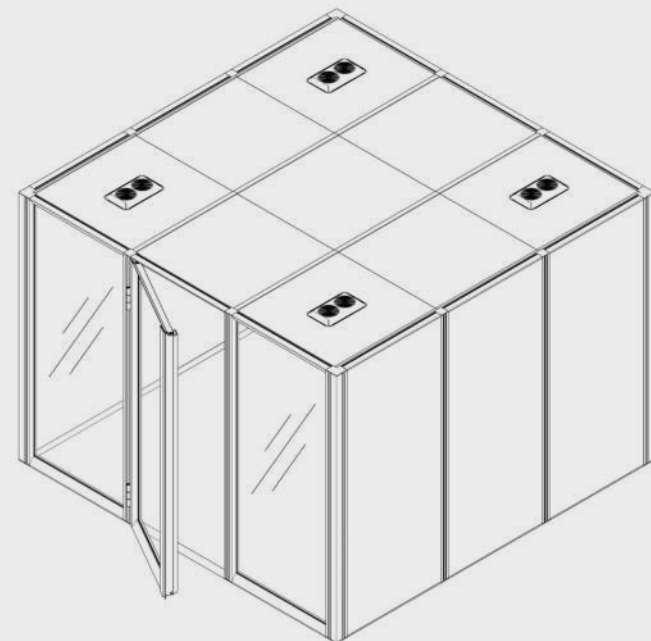
Function
Meet

Capacity
3 people

Room type
Closed

Modular Size
3x3

Variant
1



Preset

Meet 3x3 p3.v1.0

Project based use only. The accessibility of a preset has to be confirmed individually before the order.

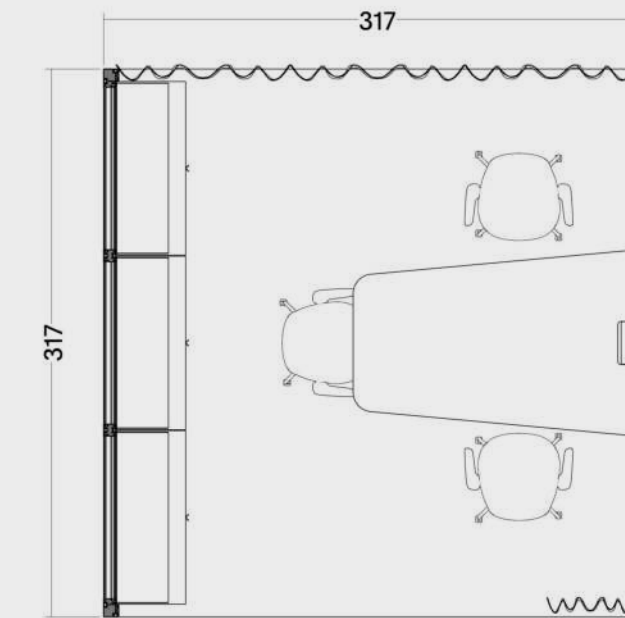
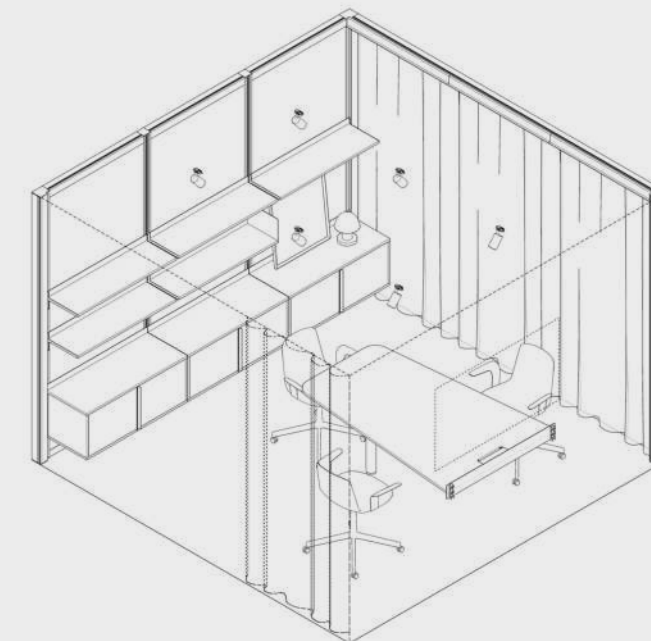
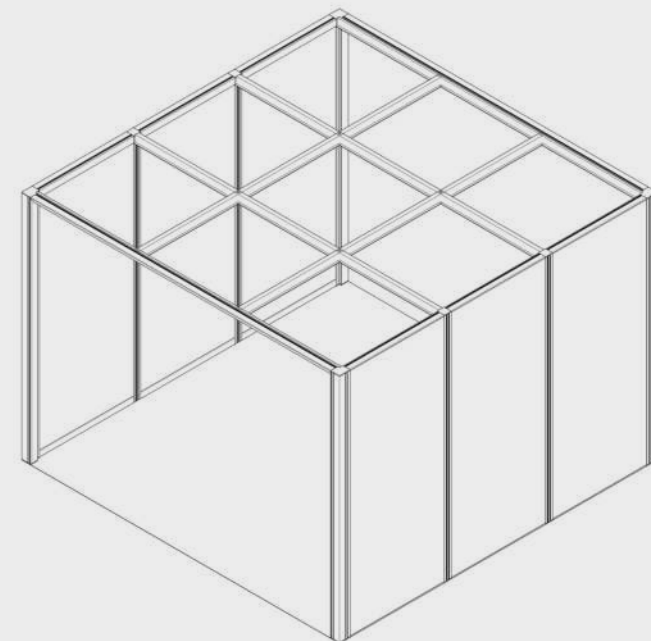
Function
Meet

Capacity
3 people

Room type
Open

Modular Size
3x3

Variant
1



Preset

Meet 3x2 p4.v1.0

Project based use only. The accessibility of a preset has to be confirmed individually before the order.

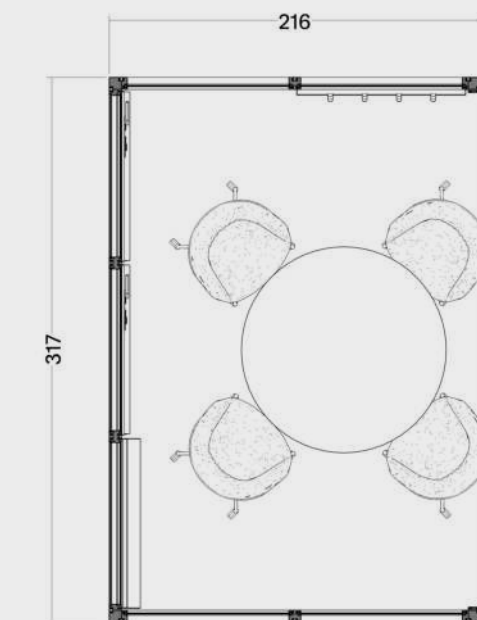
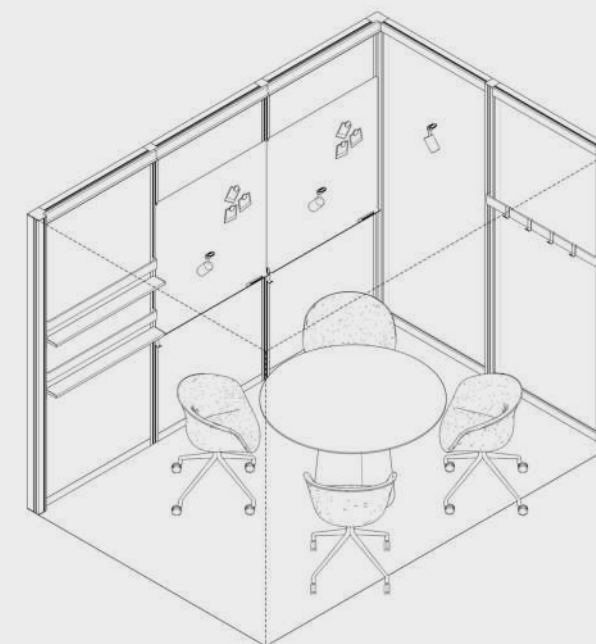
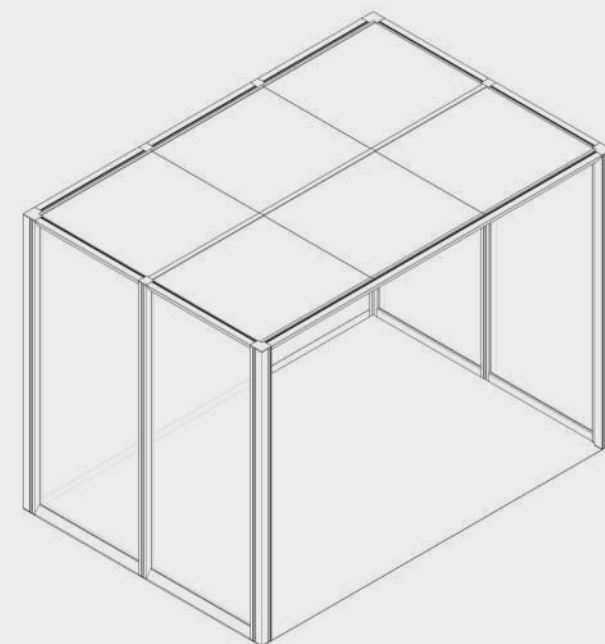
Function
Meet

Capacity
4 people

Room type
Open

Modular Size
3x2

Variant
1



Preset

Meet 3x2 p4.v2.0

Project based use only. The accessibility of a preset has to be confirmed individually before the order.

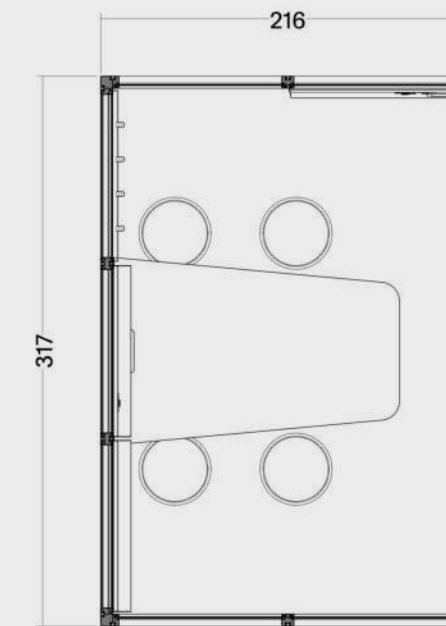
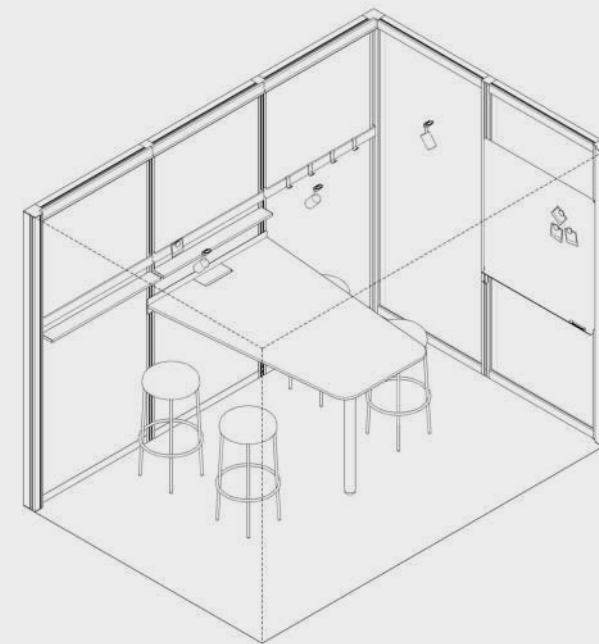
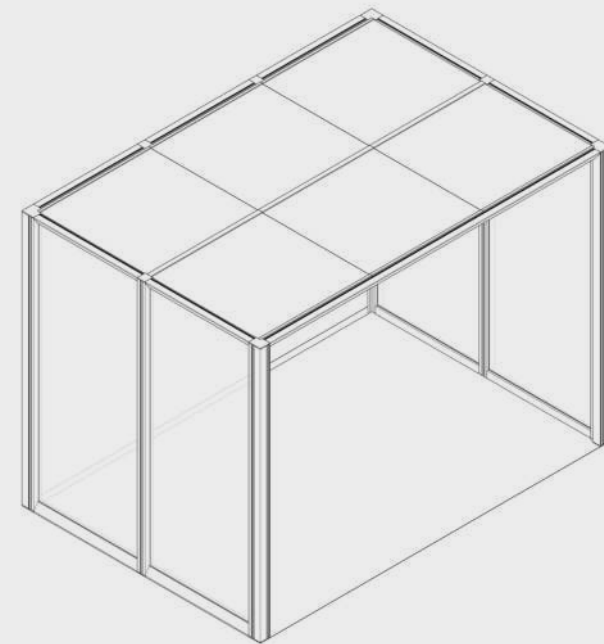
Function
Meet

Capacity
4 people

Room type
Open

Modular Size
3x2

Variant
2



Preset

Meet 3x2 p3.v1.0

Project based use only. The accessibility of a preset has to be confirmed individually before the order.

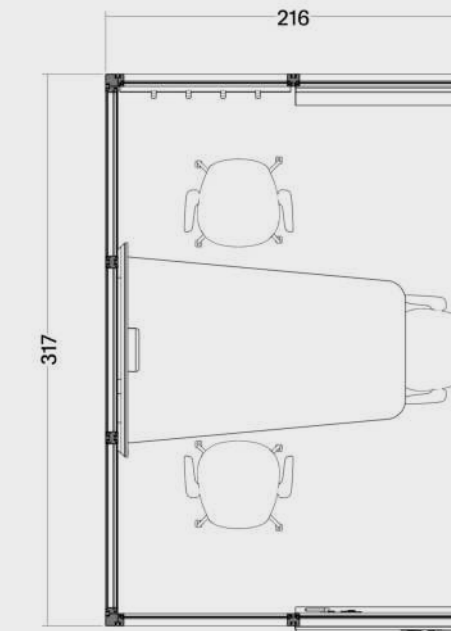
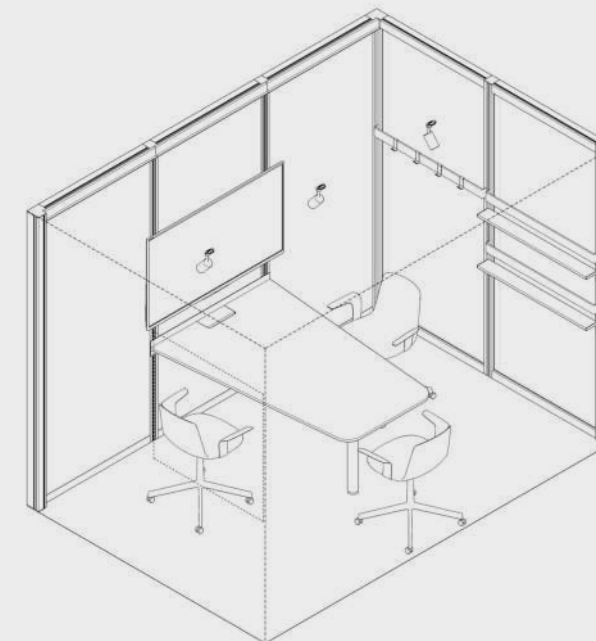
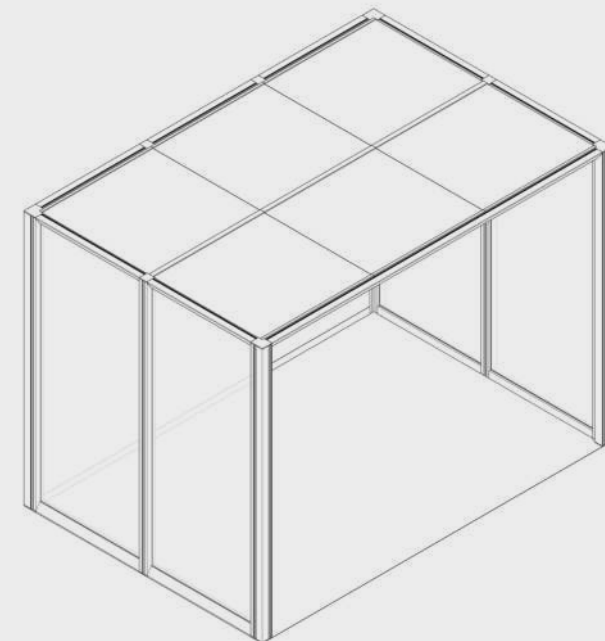
Function
Meet

Capacity
3 people

Room type
Open

Modular Size
3x2

Variant
1



Preset

Meet 3x1 p4.v1.0

Project based use only. The accessibility of a preset has to be confirmed individually before the order.

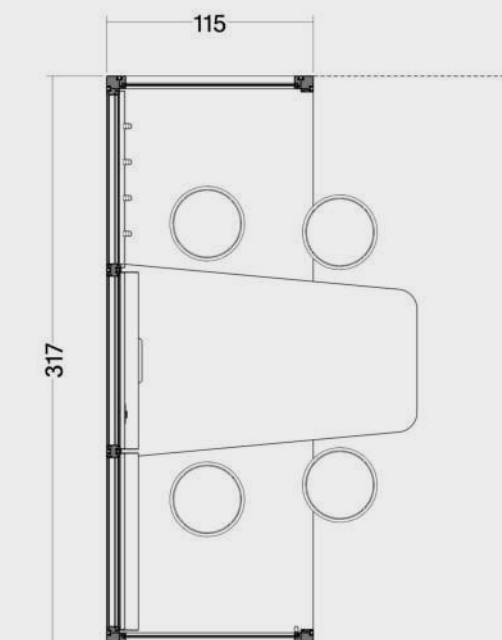
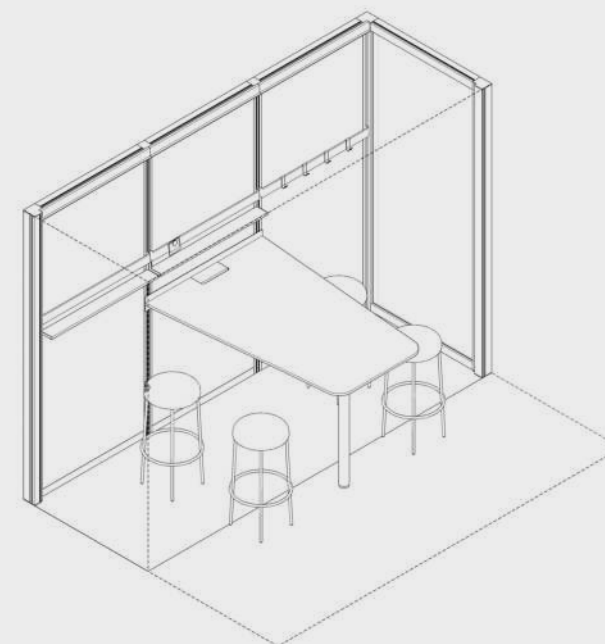
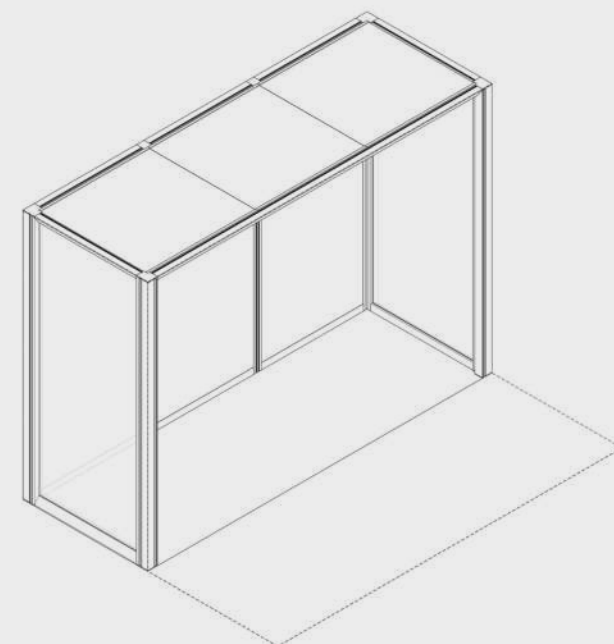
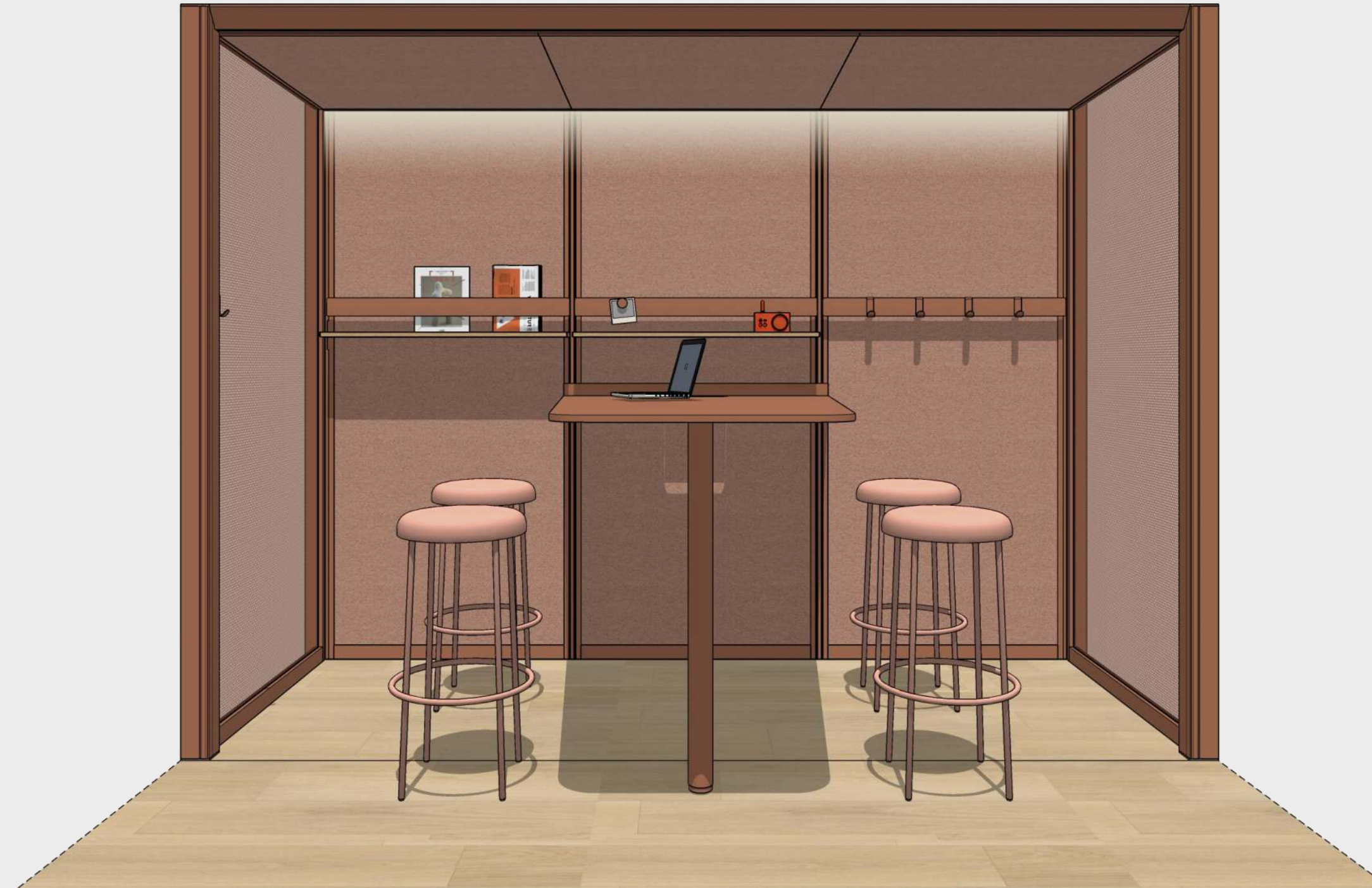
Function
Meet

Capacity
4 people

Room type
Open

Modular Size
3x1

Variant
1



Preset

Meet 3x1 p3.v1.0

Project based use only. The accessibility of a preset has to be confirmed individually before the order.

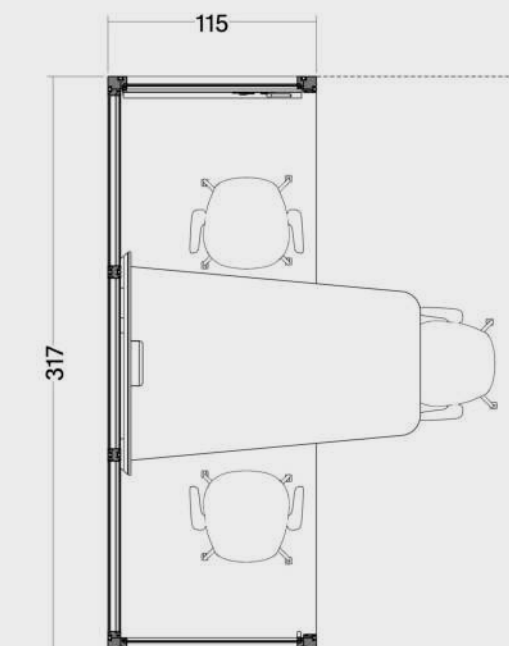
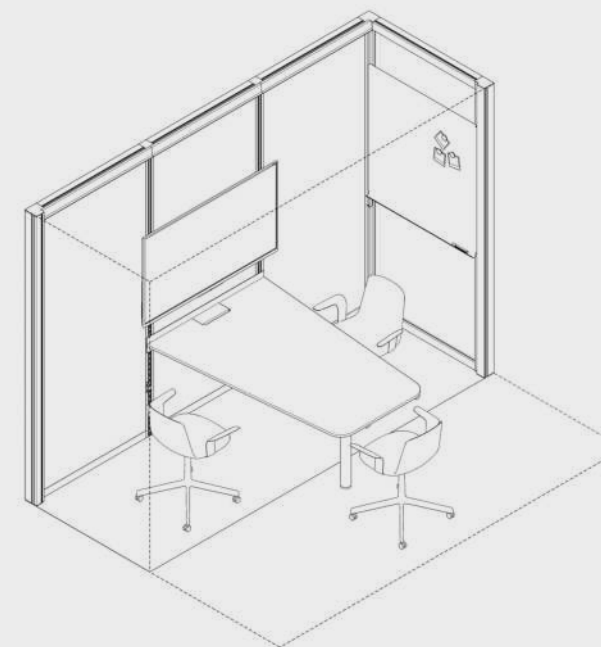
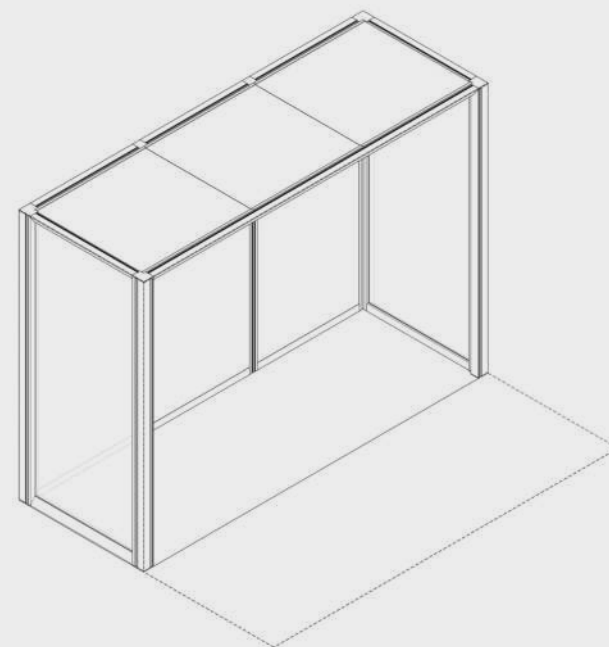
Function
Meet

Capacity
3 people

Room type
Open

Modular Size
3x1

Variant
1



Preset

Meet 3x1 p2.v1.0

Project based use only. The accessibility of a preset has to be confirmed individually before the order.

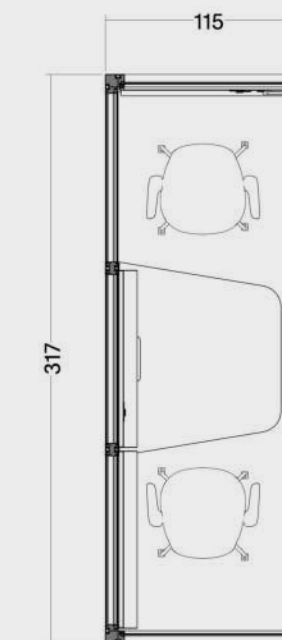
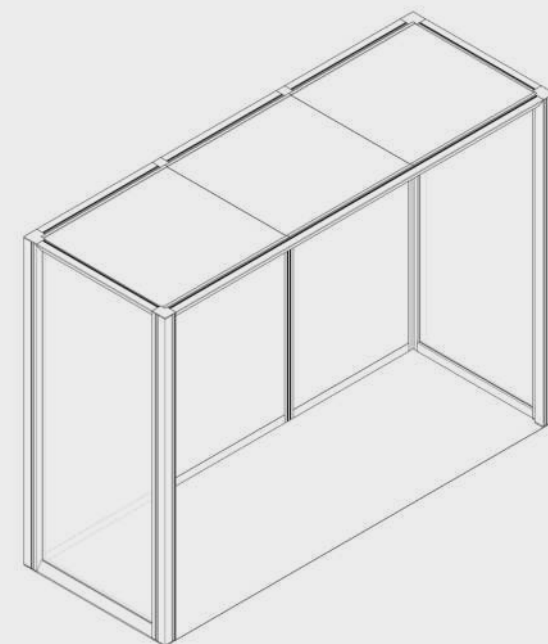
Function
Meet

Capacity
2 people

Room type
Open

Modular Size
3x1

Variant
1



Preset

Meet 3x1 p2.v2.0

Project based use only. The accessibility of a preset has to be confirmed individually before the order.

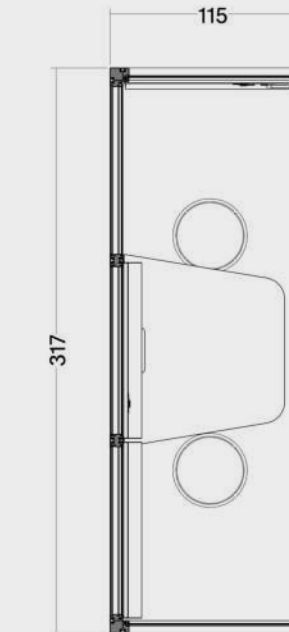
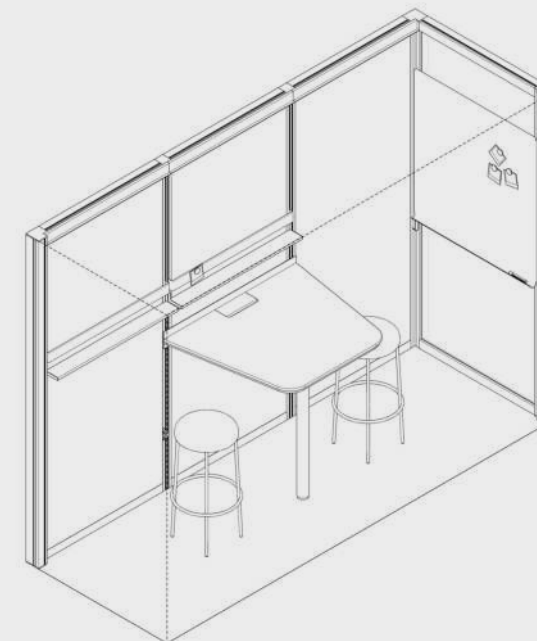
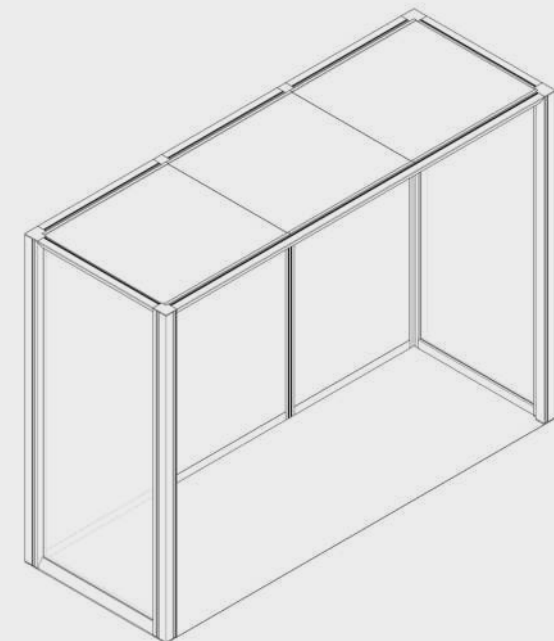
Function
Meet

Capacity
2 people

Room type
Open

Modular Size
3x1

Variant
2



Preset

Meet 2x3 p2.v1.0

Project based use only. The accessibility of a preset has to be confirmed individually before the order.

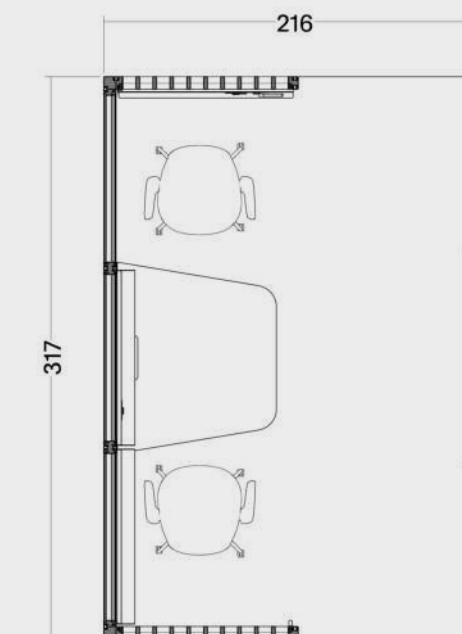
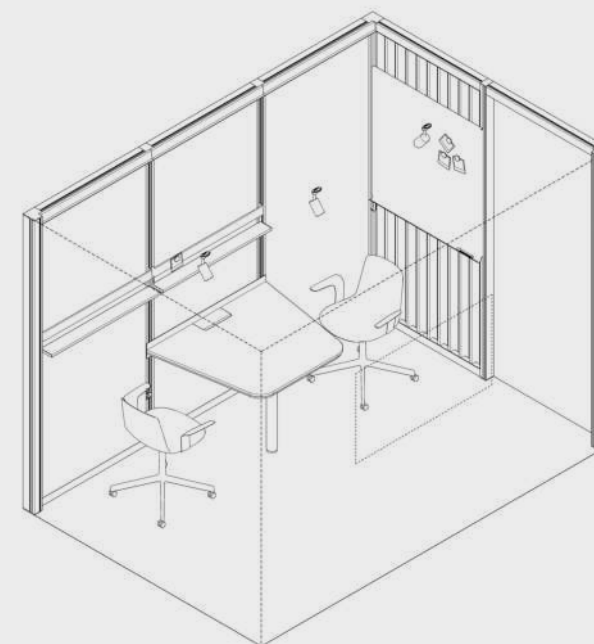
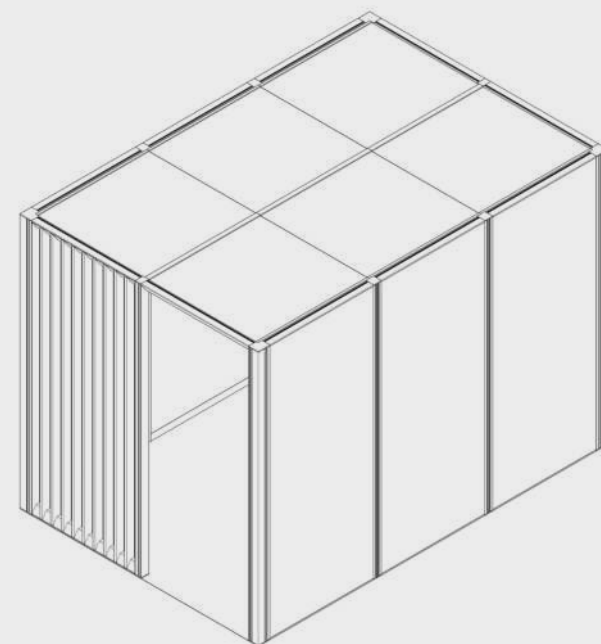
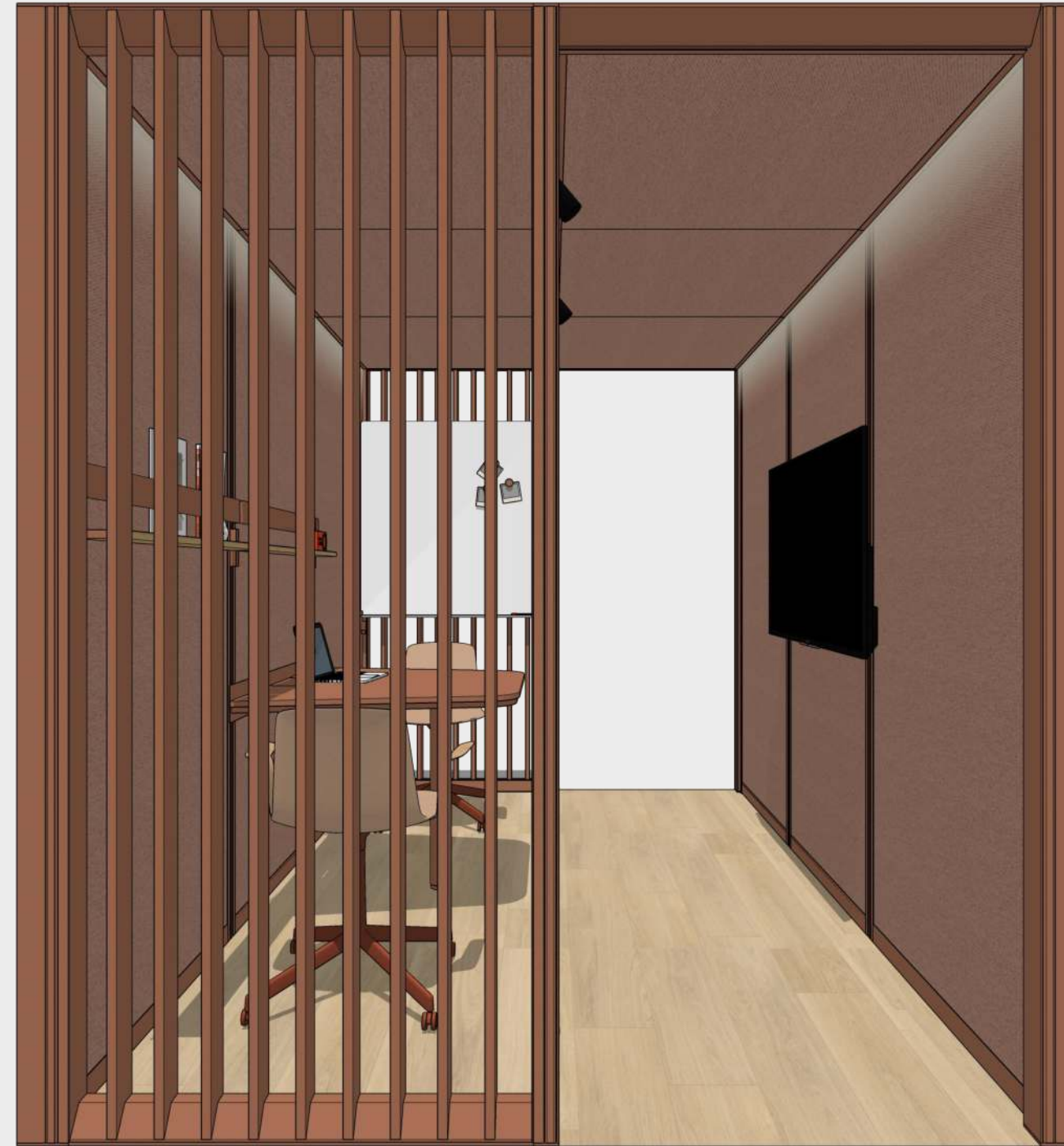
Function
Meet

Capacity
2 people

Room type
Open

Modular Size
2x3

Variant
1



Preset

Meet 2x3 p2.v2.0

Project based use only. The accessibility of a preset has to be confirmed individually before the order.

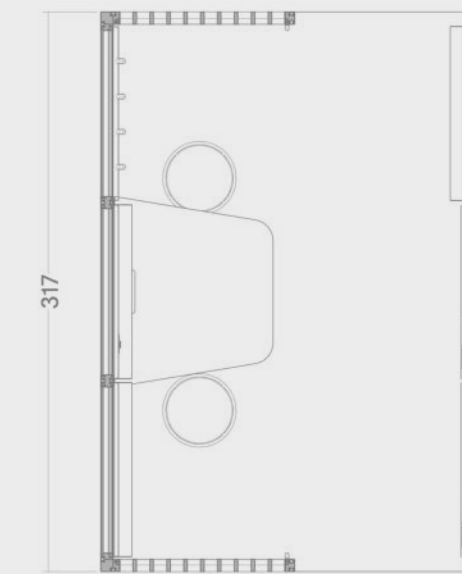
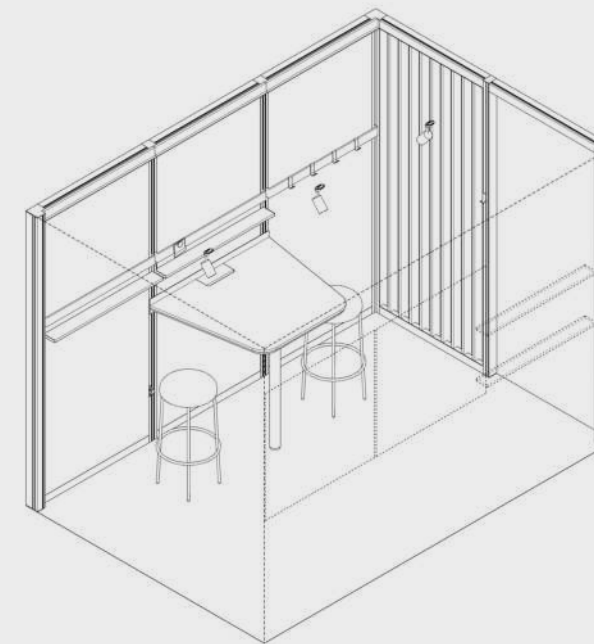
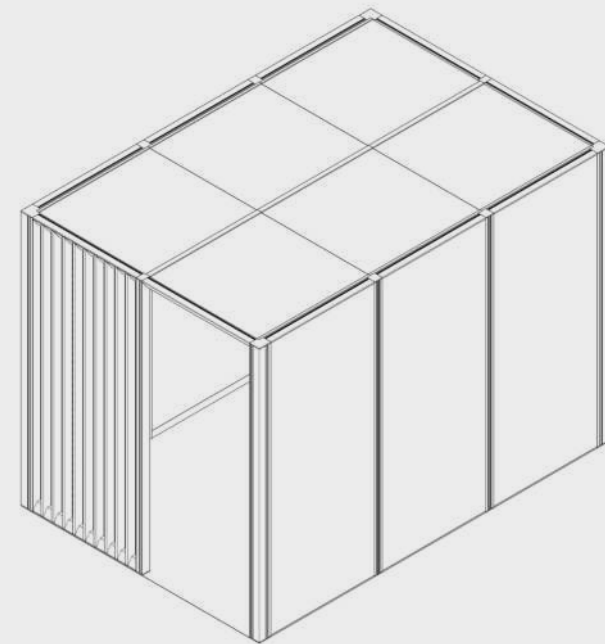
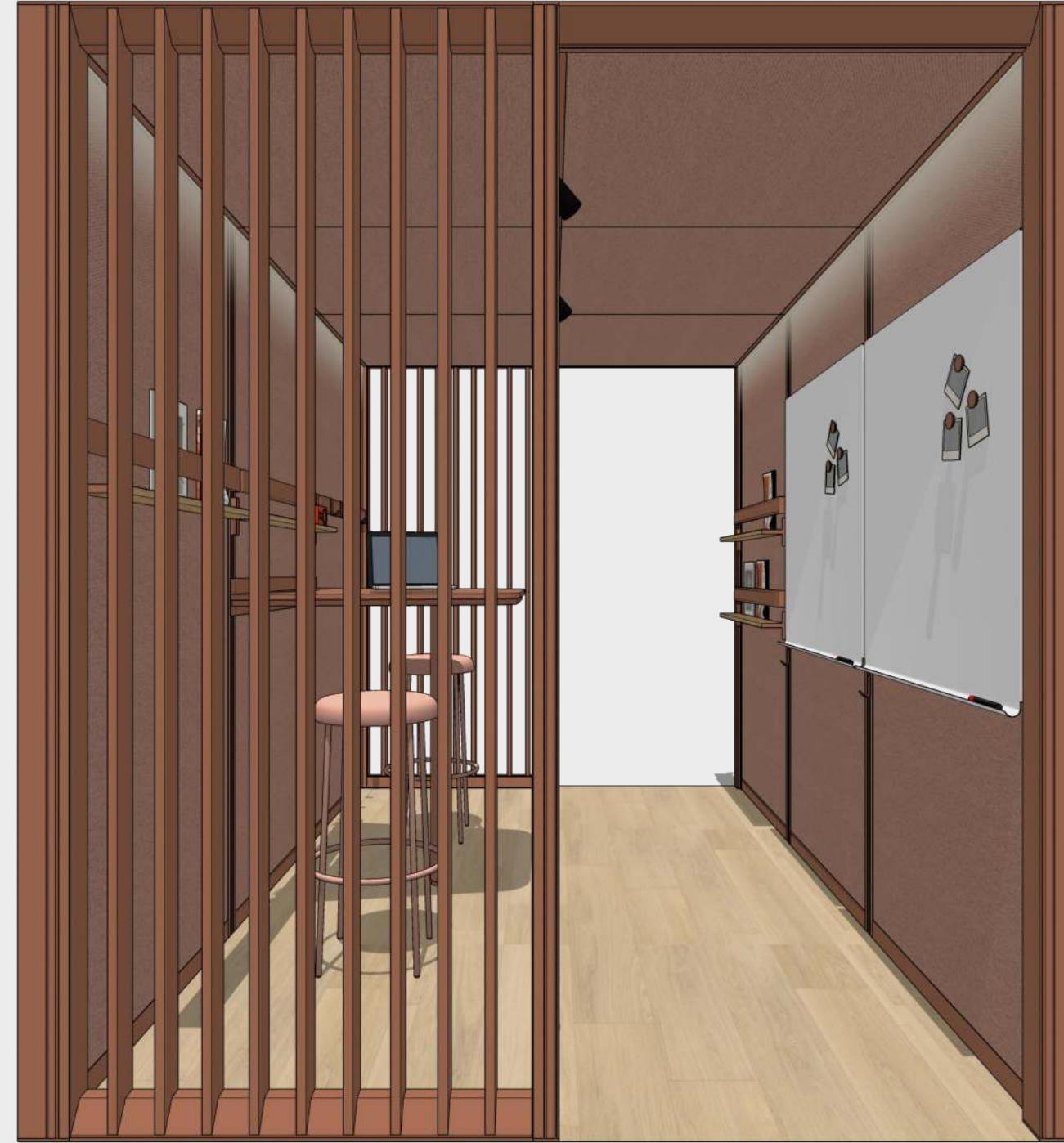
Function
Meet

Capacity
2 people

Room type
Open

Modular Size
2x3

Variant
2



Preset

Meet 2x2 p2.v1.0

Project based use only. The accessibility of a preset has to be confirmed individually before the order.

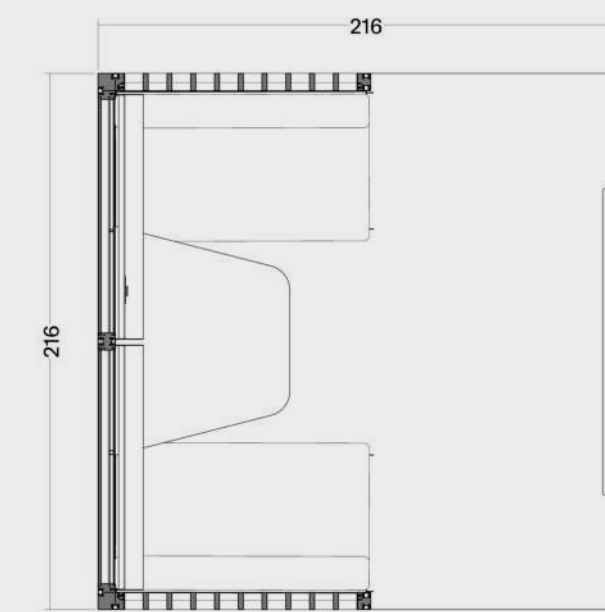
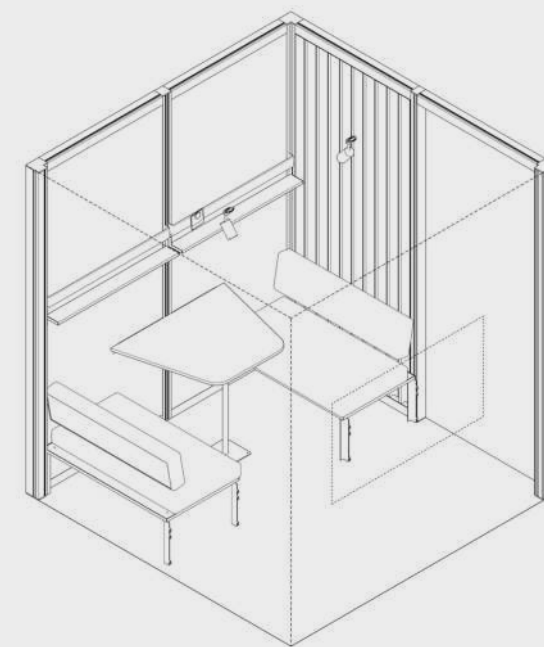
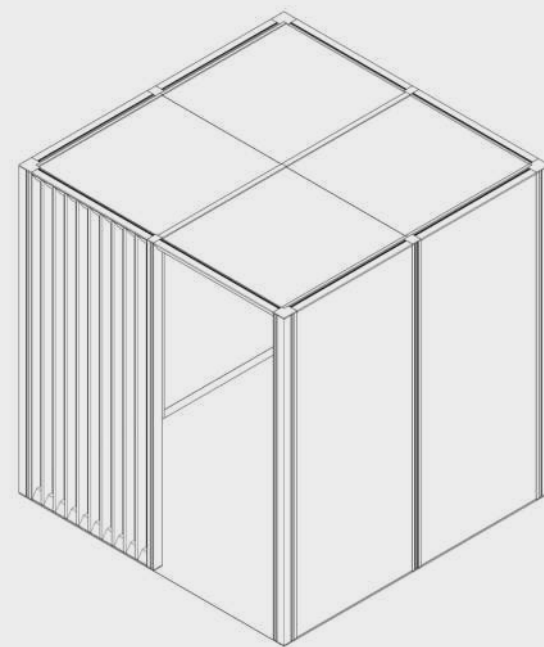
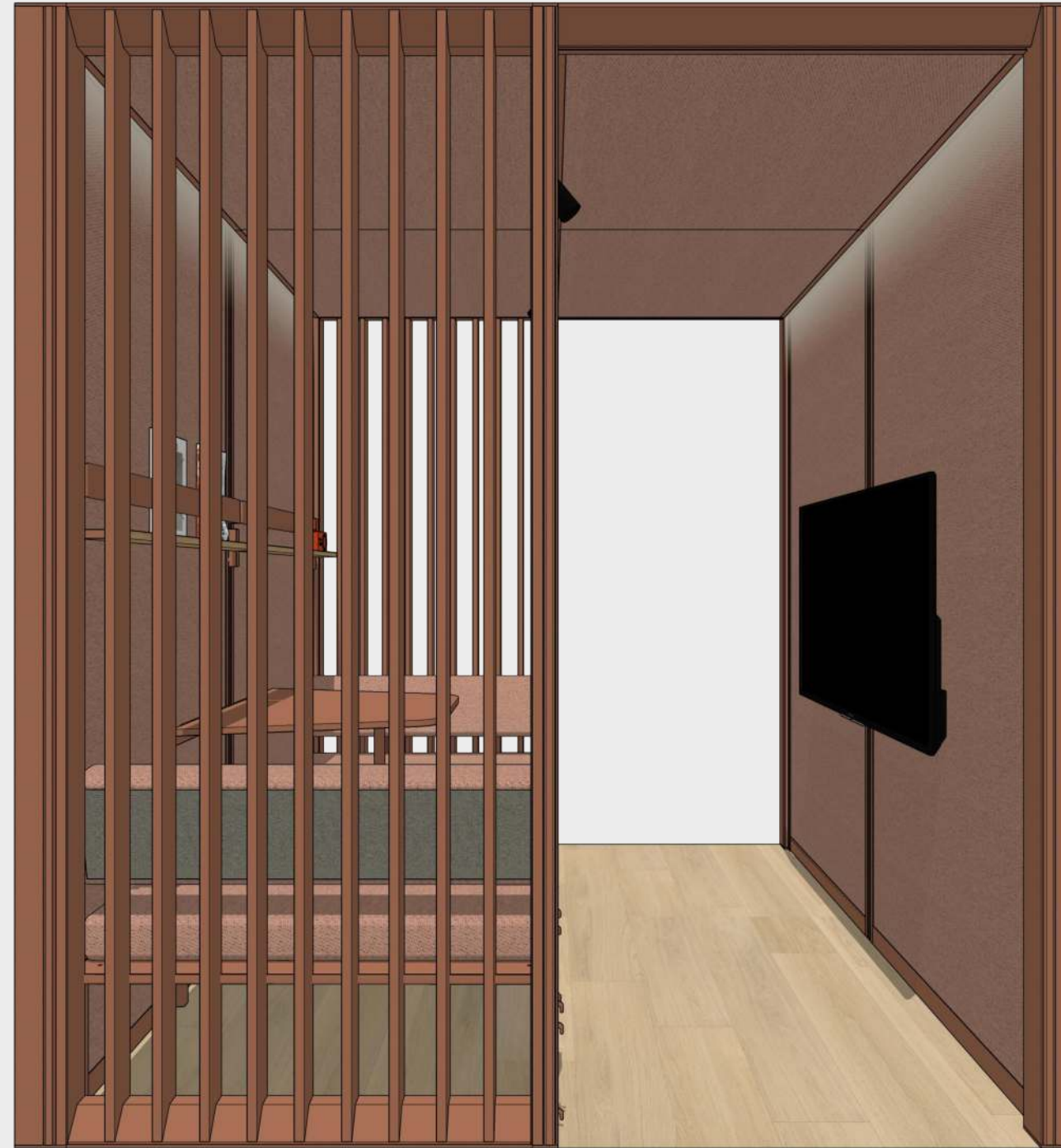
Function
Meet

Capacity
2 people

Room type
Open

Modular Size
2x2

Variant
1



Preset

Meet 2x1 p2.v1.0

Project based use only. The accessibility of a preset has to be confirmed individually before the order.

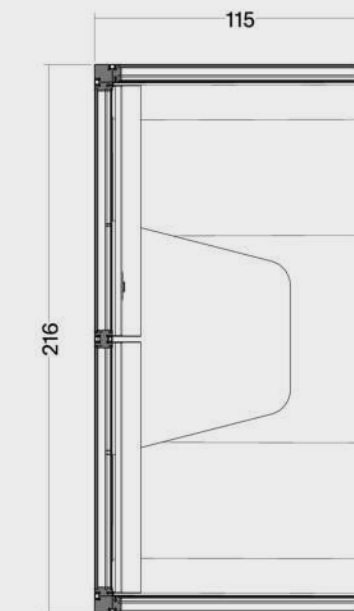
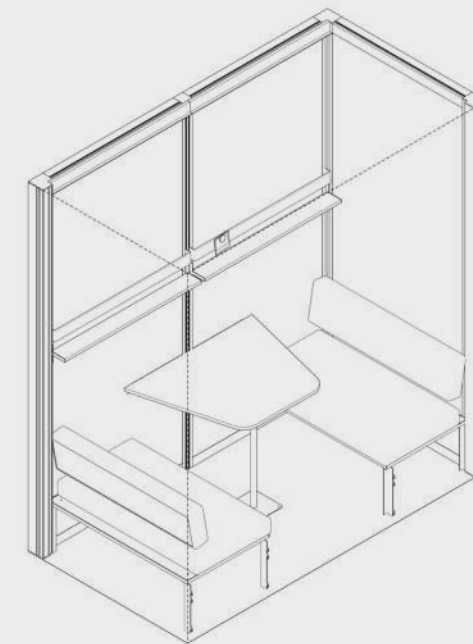
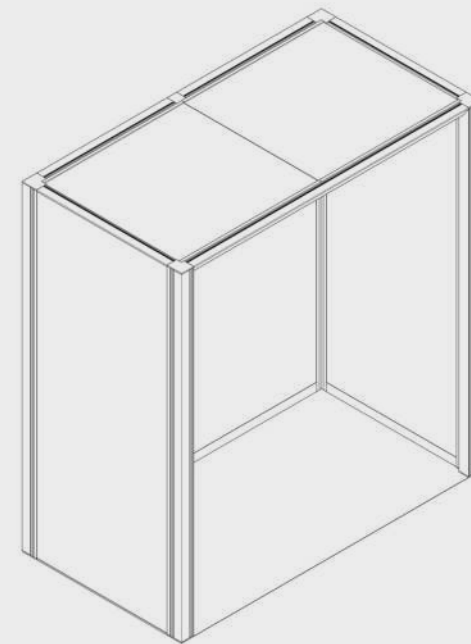
Function
Meet

Capacity
2 people

Room type
Open

Modular Size
2x1

Variant
1



Lounge



OmniRoom | **MUTE.**

Preset

Lounge 4x3 p5.v1.0

Project based use only. The accessibility of a preset has to be confirmed individually before the order.

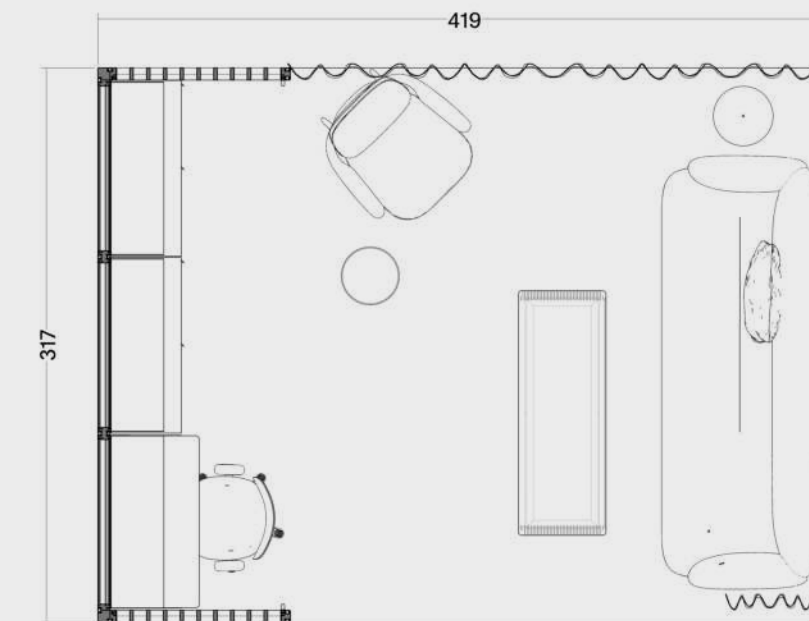
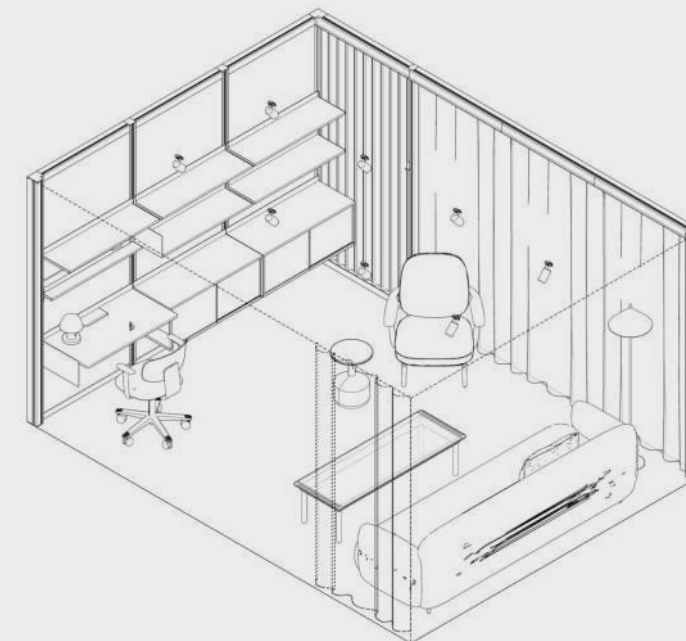
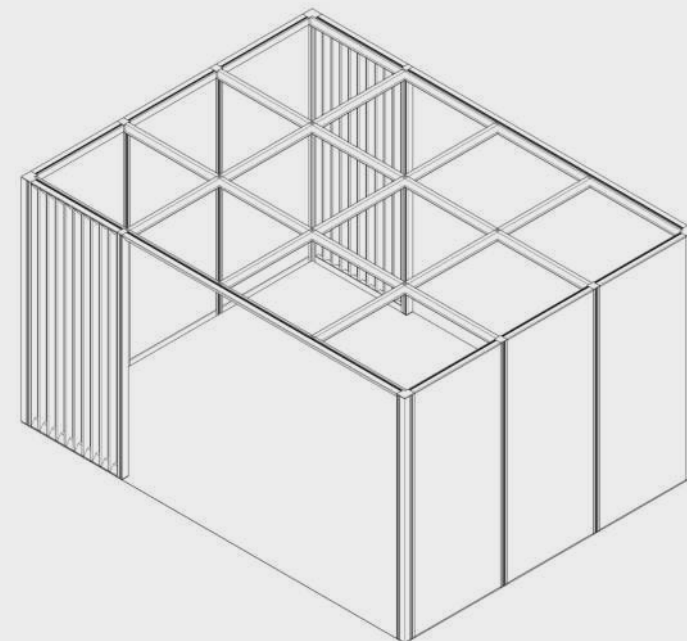
Function
Lounge

Capacity
5 people

Room type
Open

Modular Size
4x3

Variant
1



Preset

Lounge 3x3 p5.v1.0

Project based use only. The accessibility of a preset has to be confirmed individually before the order.

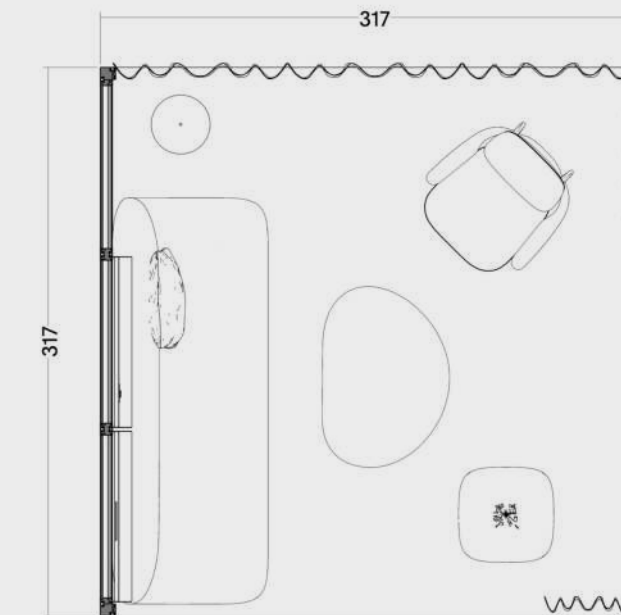
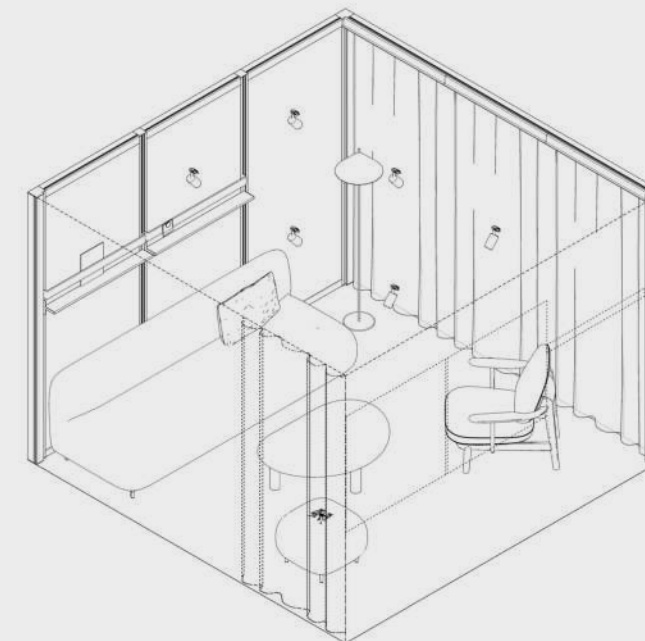
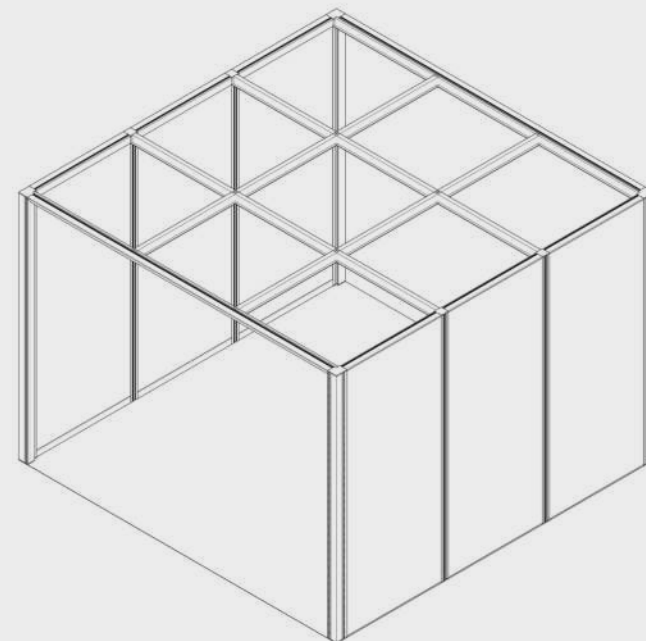
Function
Lounge

Capacity
5 people

Room type
Open

Modular Size
3x3

Variant
1



Preset

Lounge 3x3 p5.v1.C

Project based use only. The accessibility of a preset has to be confirmed individually before the order.

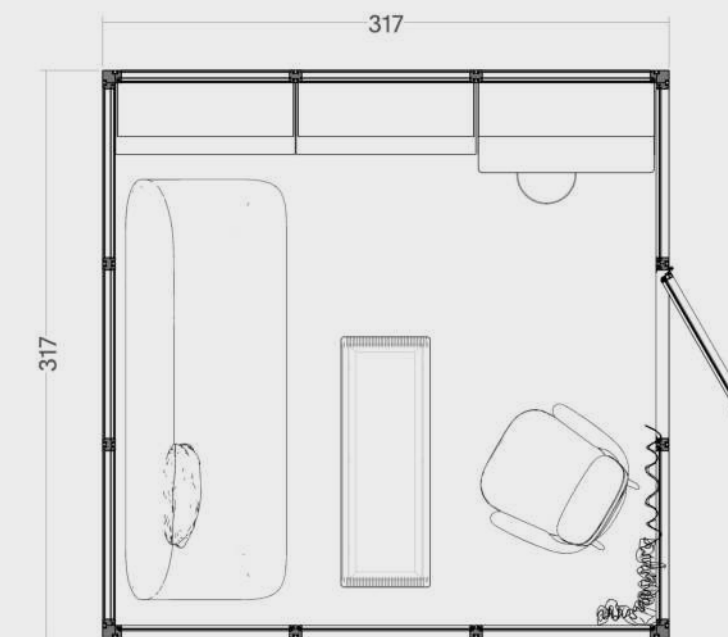
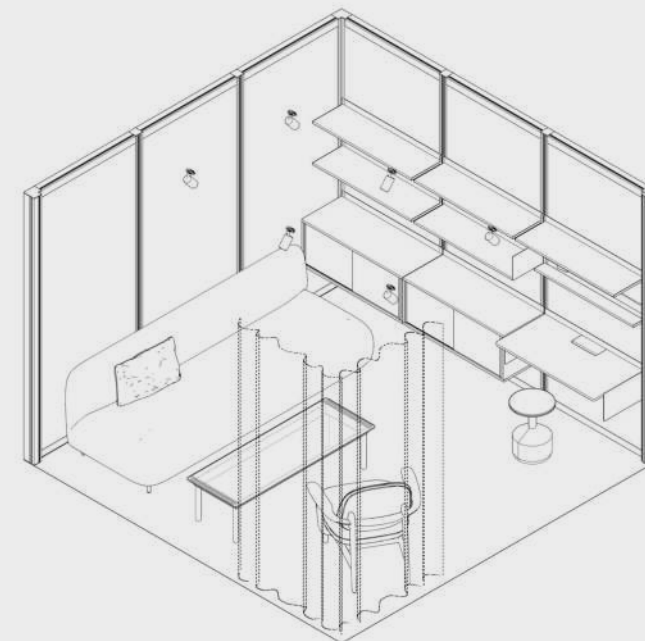
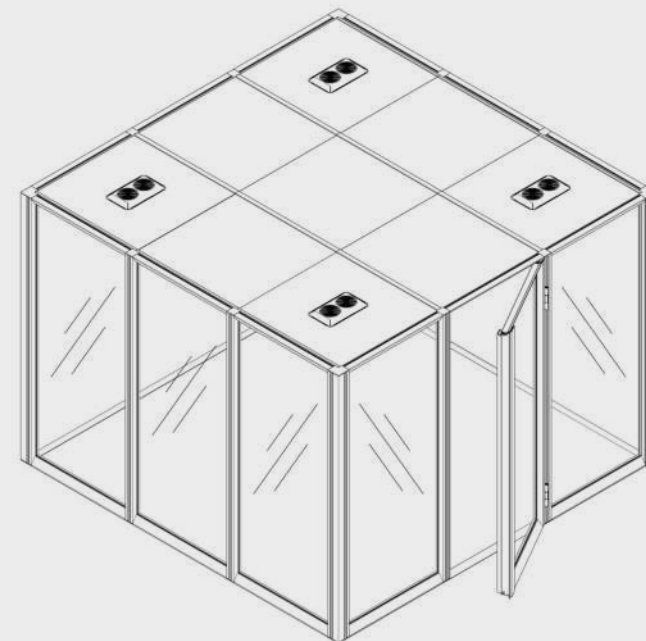
Function
Lounge

Capacity
5 people

Room type
Closed

Modular Size
3x3

Variant
1



Preset

Lounge 3x3 p4.v1.0

Project based use only. The accessibility of a preset has to be confirmed individually before the order.

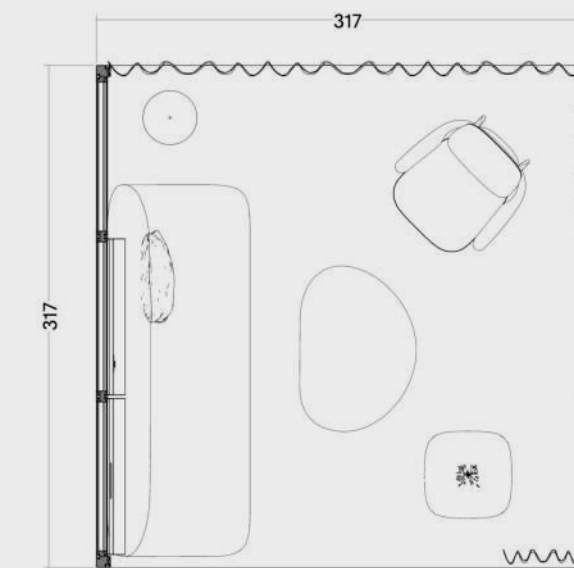
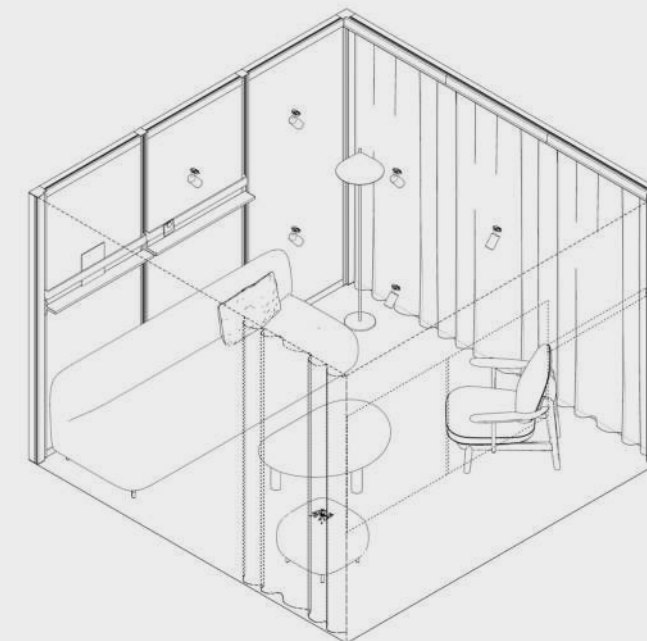
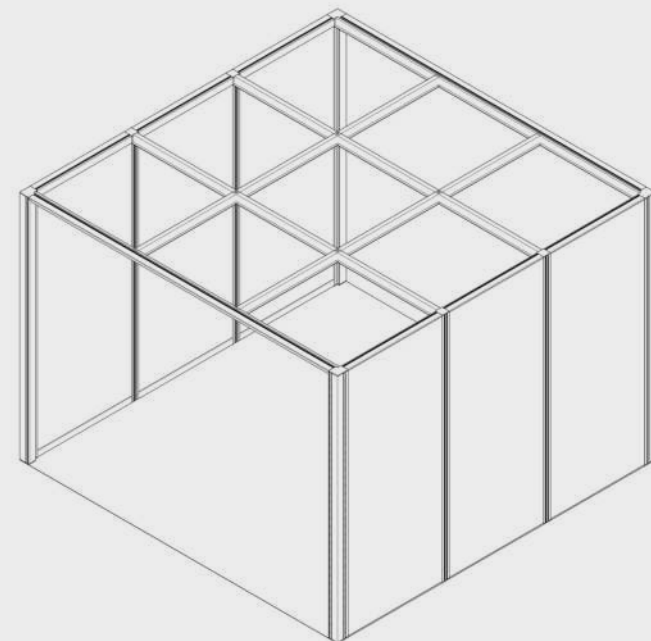
Function
Lounge

Capacity
4 people

Room type
Open

Modular Size
3x3

Variant
1



Preset

Lounge 3x3 p3.v1.C

Project based use only. The accessibility of a preset has to be confirmed individually before the order.

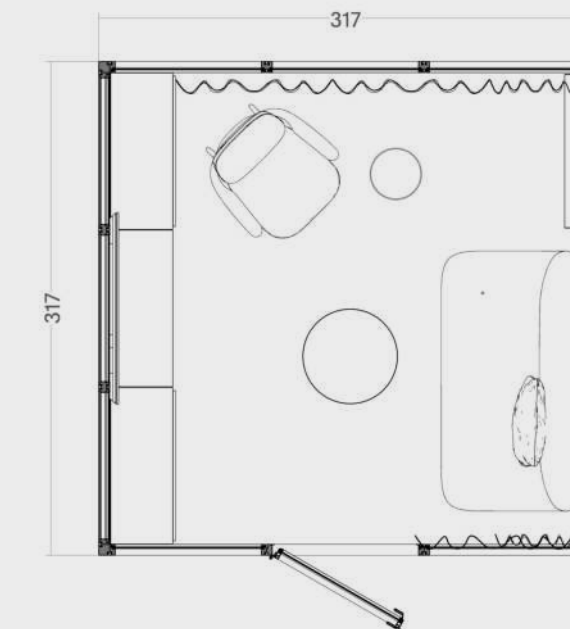
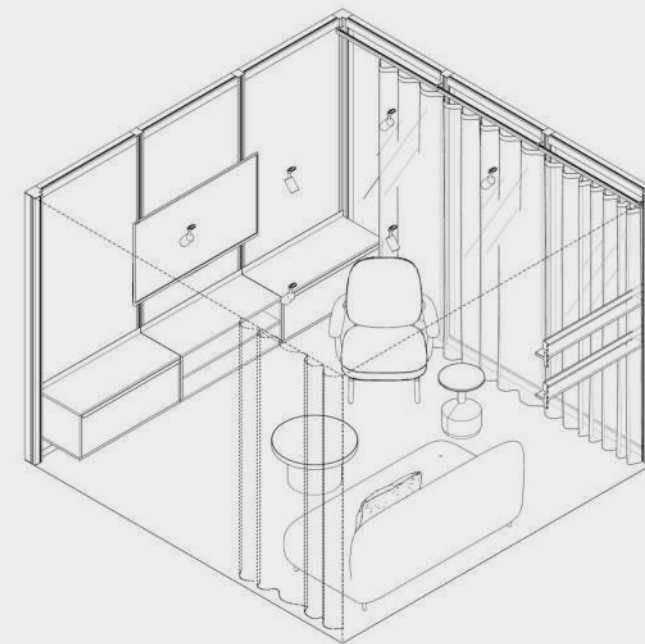
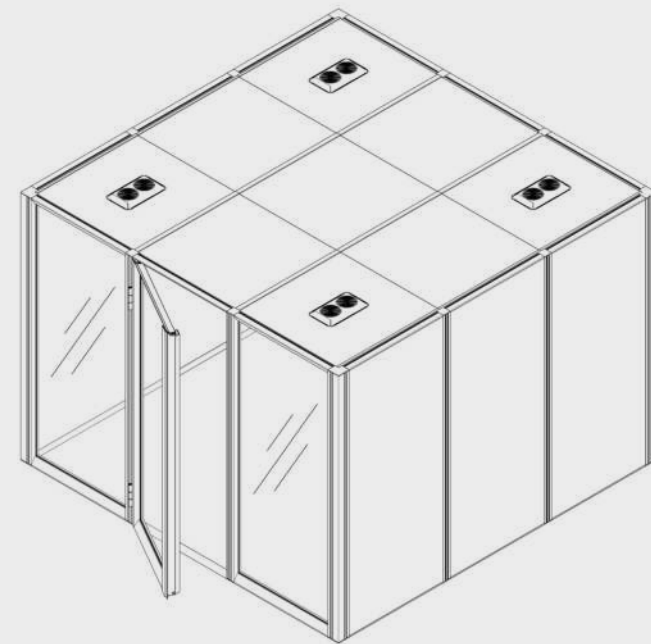
Function
Lounge

Capacity
3 people

Room type
Closed

Modular Size
3x3

Variant
1



Preset

Lounge 3x2 p4.v1.0

Project based use only. The accessibility of a preset has to be confirmed individually before the order.

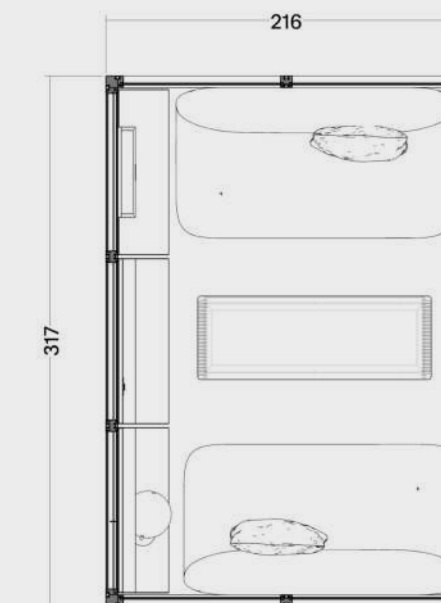
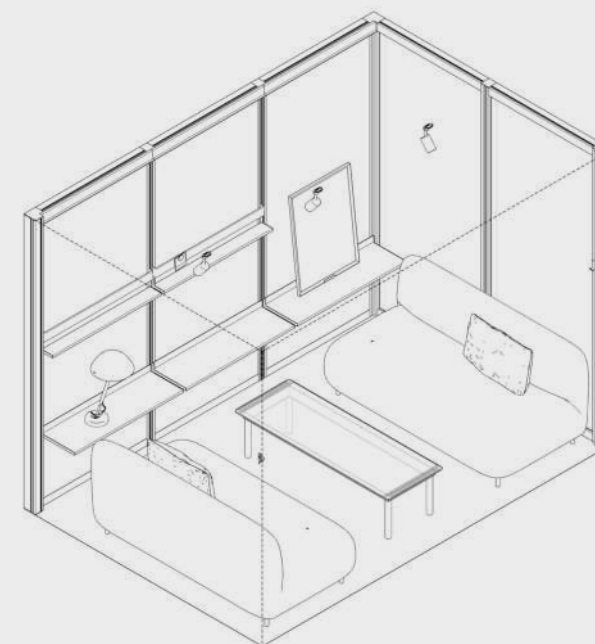
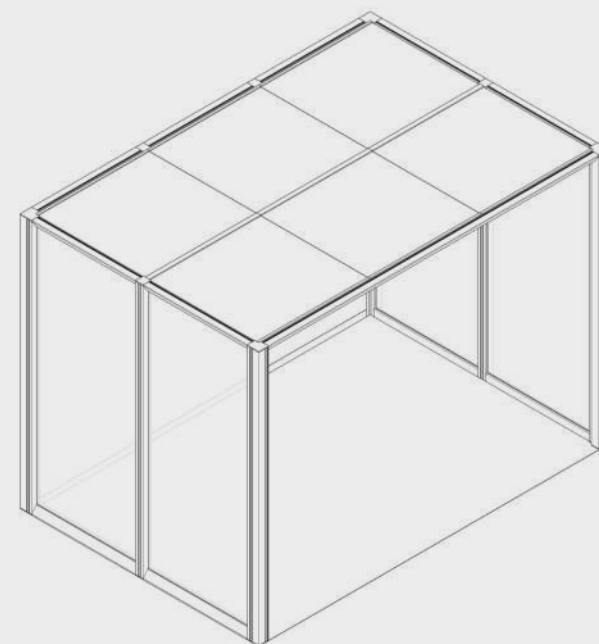
Function
Lounge

Capacity
4 people

Room type
Open

Modular Size
3x2

Variant
1



Preset

Lounge 3x2 p4.v2.0

Project based use only. The accessibility of a preset has to be confirmed individually before the order.

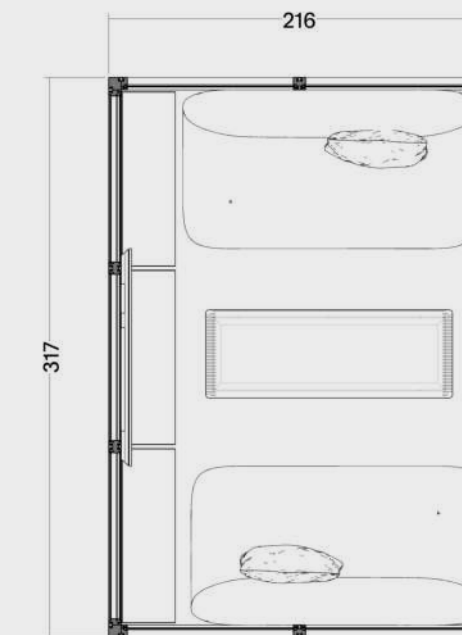
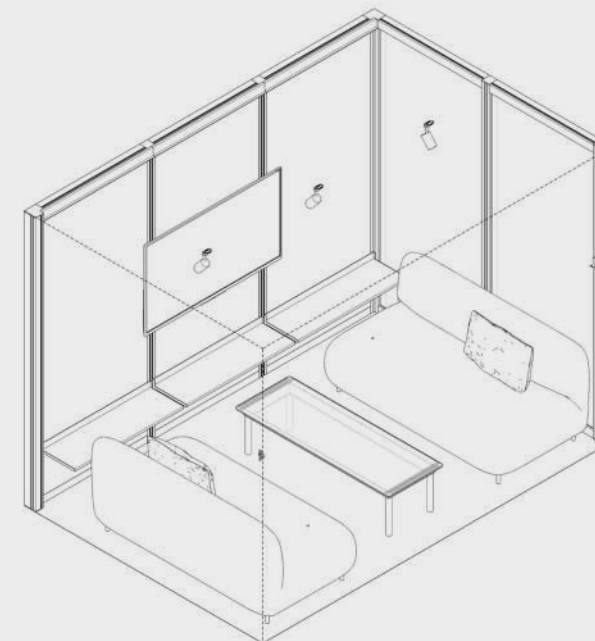
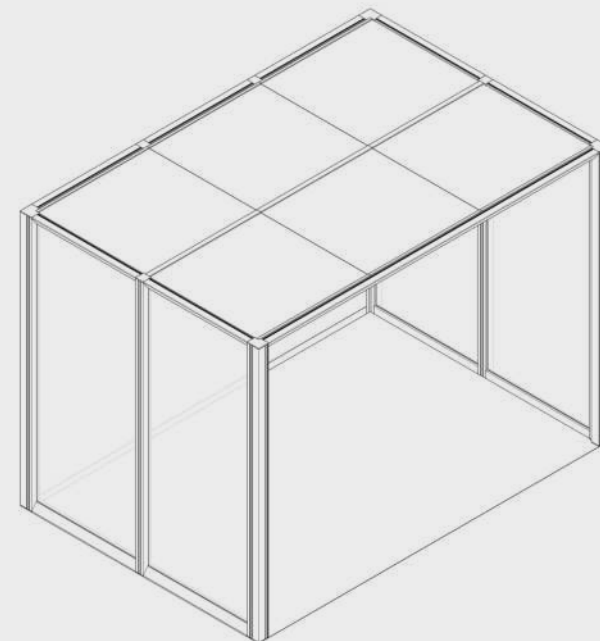
Function
Lounge

Capacity
4 people

Room type
Open

Modular Size
3x2

Variant
2



Preset

Lounge 2x3 p2.v1.0

Project based use only. The accessibility of a preset has to be confirmed individually before the order.

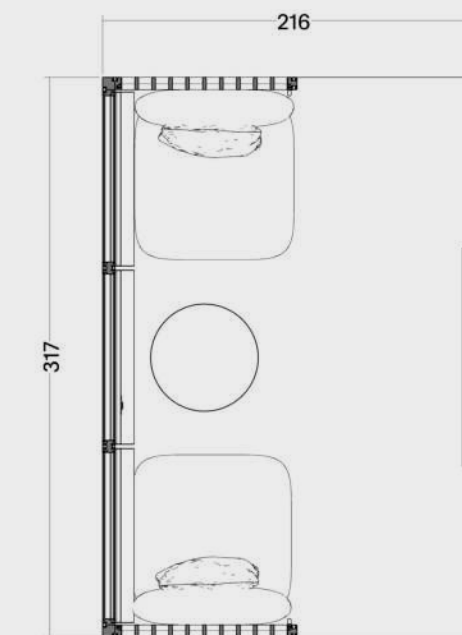
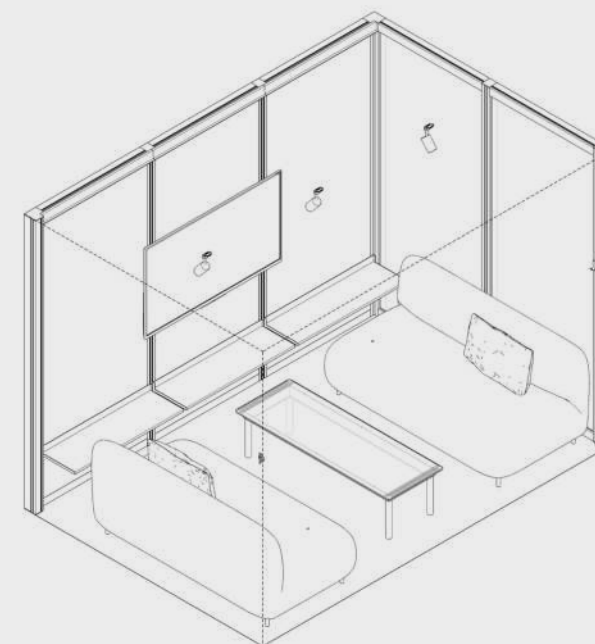
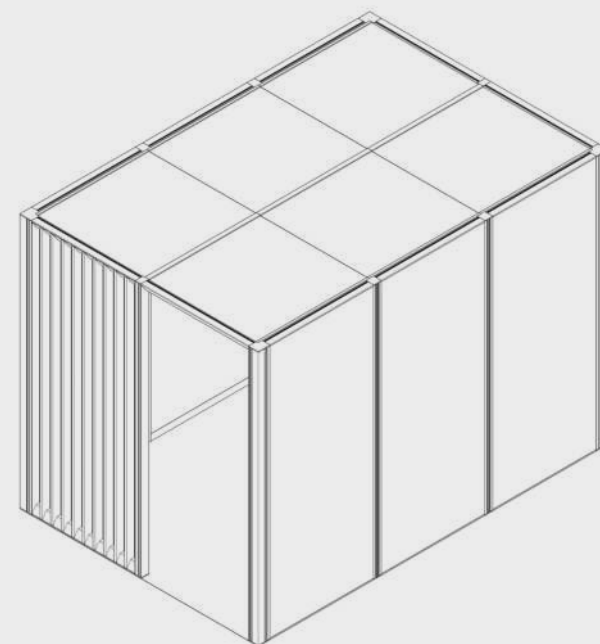
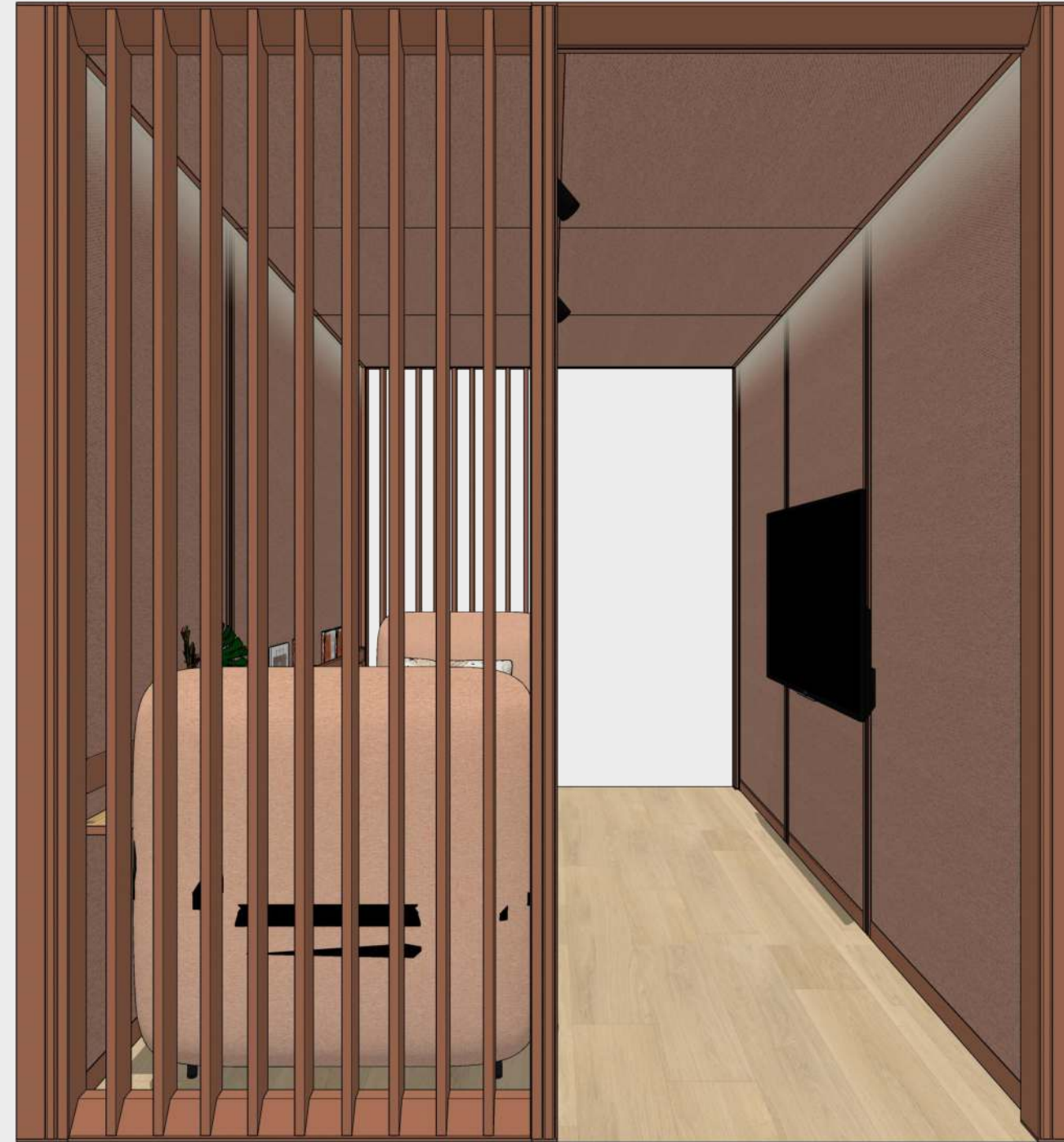
Function
Lounge

Capacity
2 people

Room type
Open

Modular Size
2x3

Variant
1



Preset

Lounge 3x2 p4.v1.C

Project based use only. The accessibility of a preset has to be confirmed individually before the order.

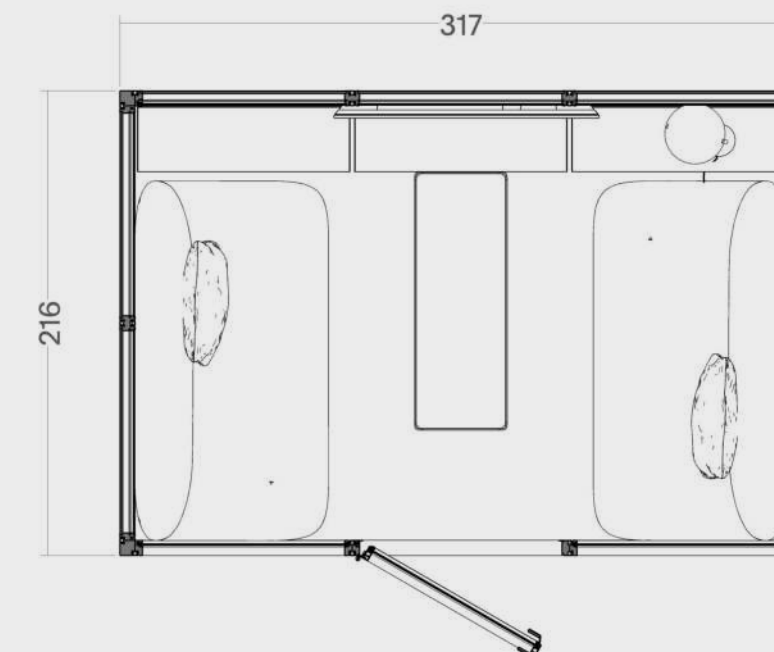
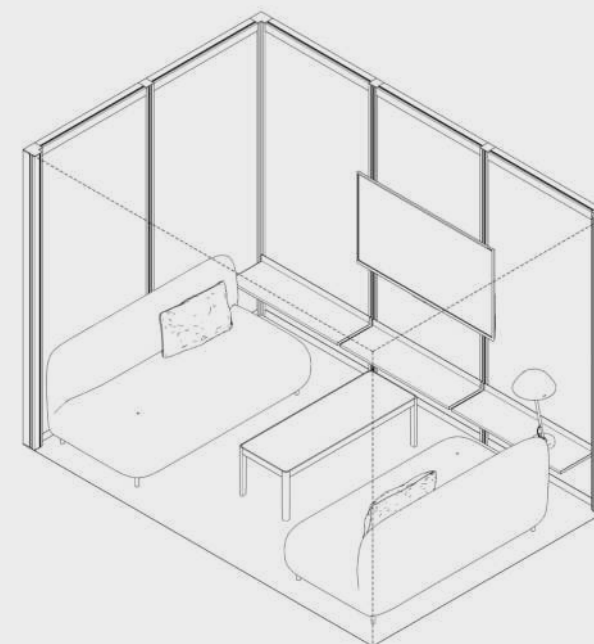
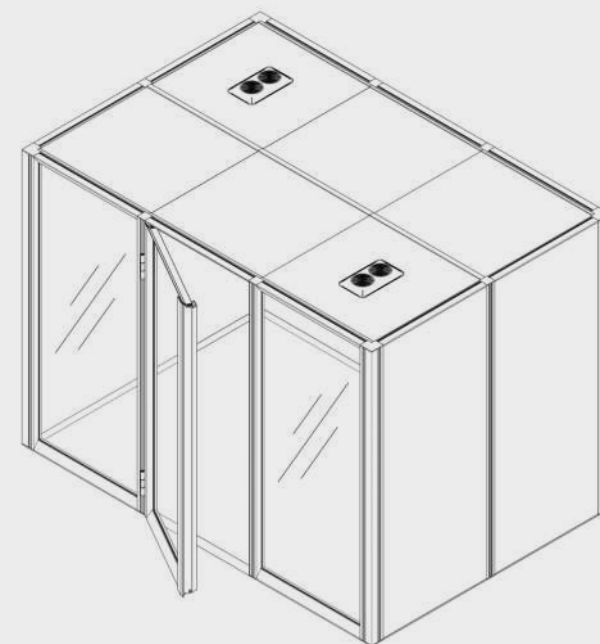
Function
Lounge

Capacity
4 people

Room type
Closed

Modular Size
3x2

Variant
1



Preset

Lounge 3x2 p3.v1.0

Project based use only. The accessibility of a preset has to be confirmed individually before the order.

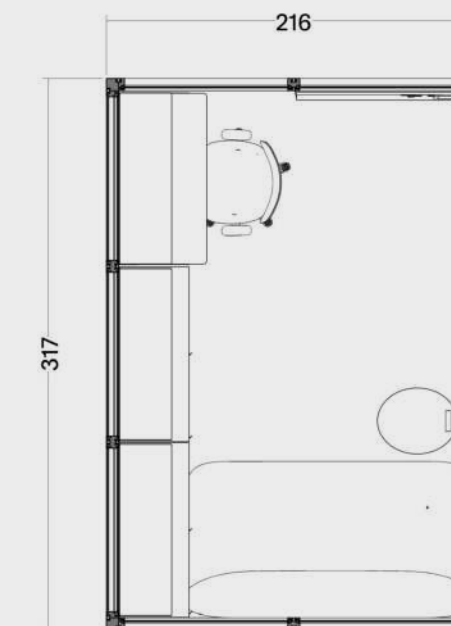
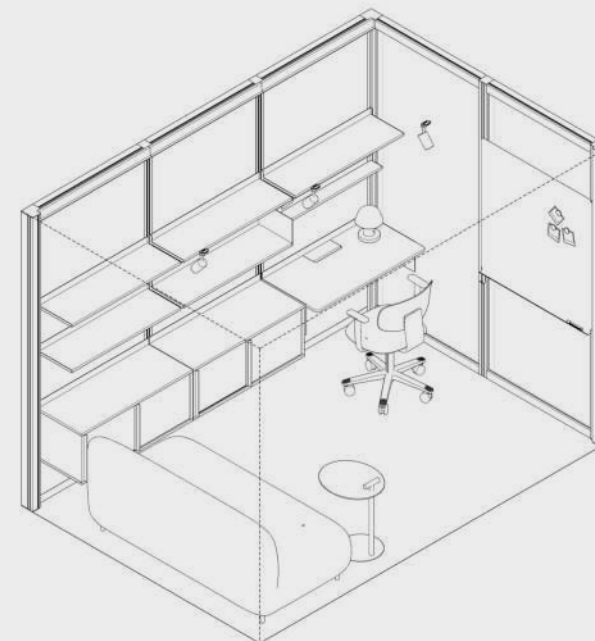
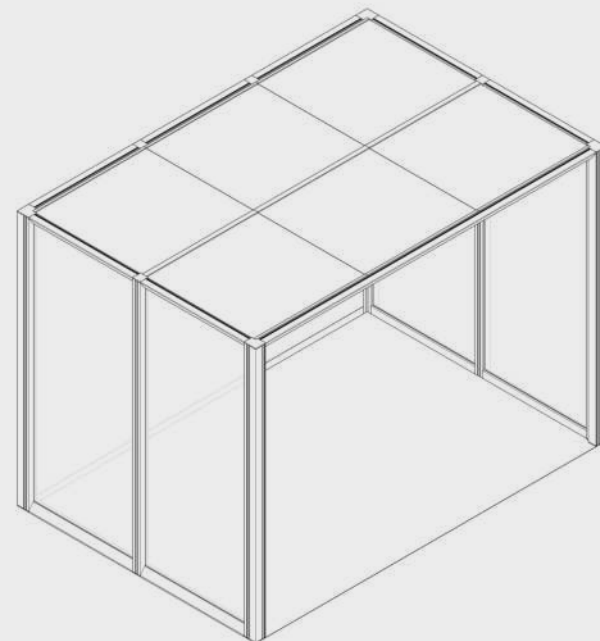
Function
Lounge

Capacity
3 people

Room type
Open

Modular Size
3x2

Variant
1



Preset

Lounge 2x3 p3.v1.C

Project based use only. The accessibility of a preset has to be confirmed individually before the order.

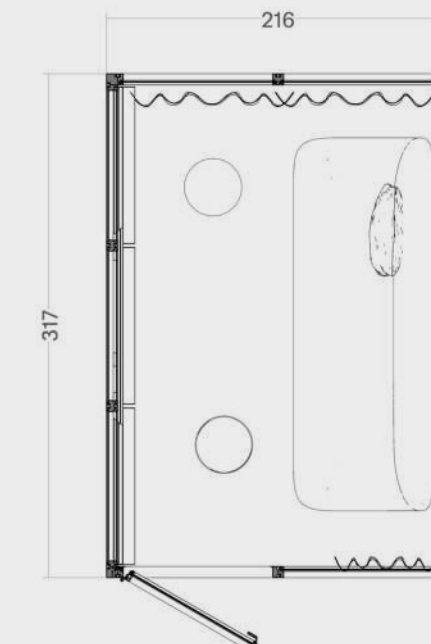
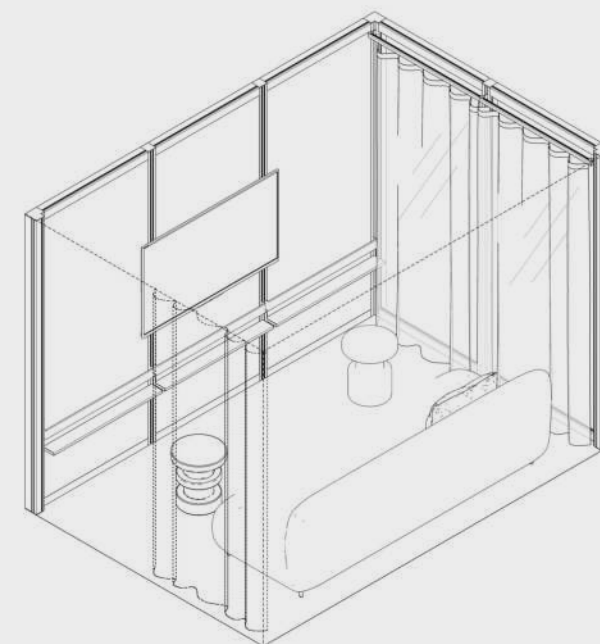
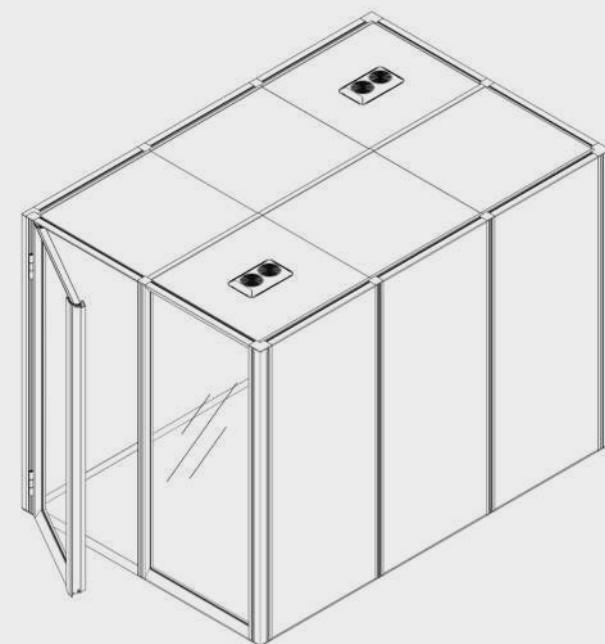
Function
Lounge

Capacity
3 people

Room type
Closed

Modular Size
2x3

Variant
1



Preset

Lounge 3x1 p4.v1.0

Project based use only. The accessibility of a preset has to be confirmed individually before the order.

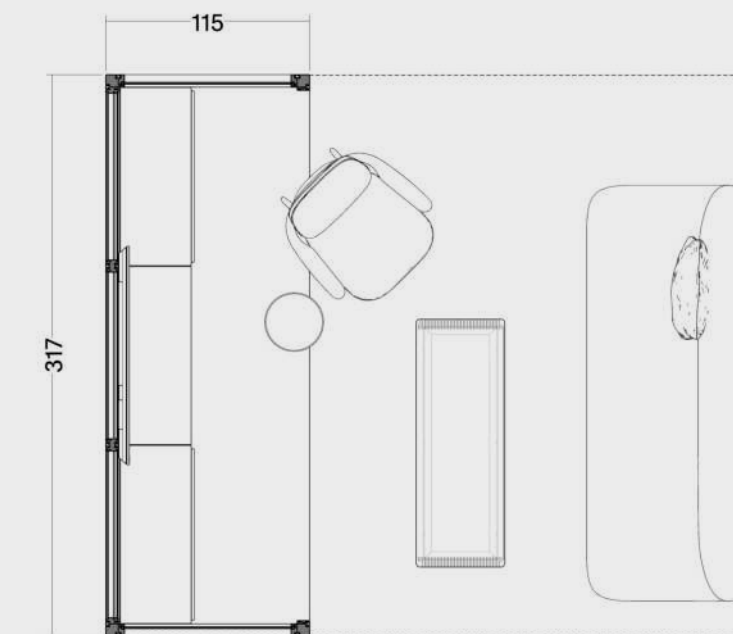
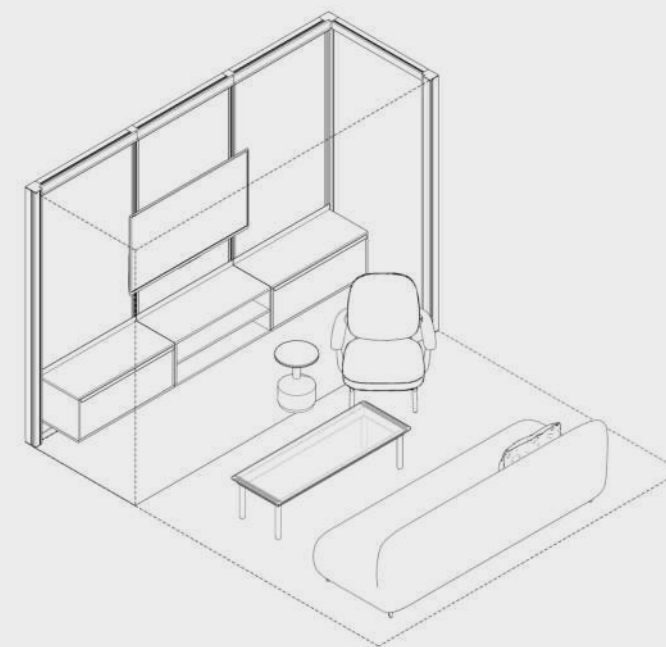
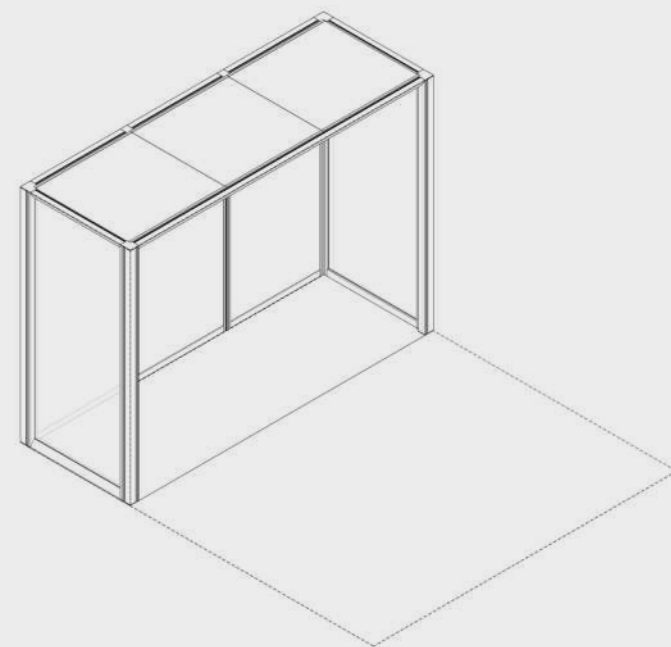
Function
Lounge

Capacity
4 people

Room type
Open

Modular Size
3x1

Variant
1



Preset

Lounge 3x1 p2.v1.0

Project based use only. The accessibility of a preset has to be confirmed individually before the order.

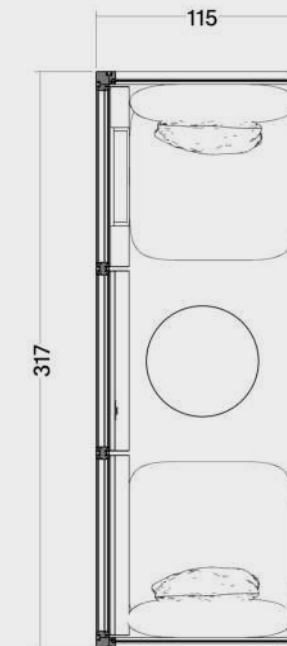
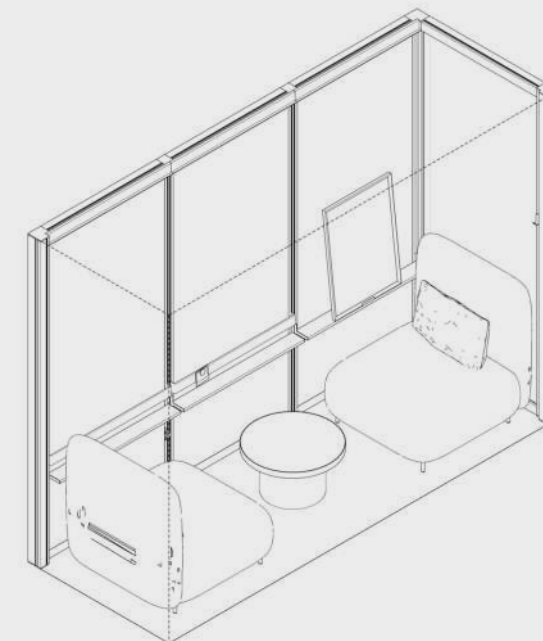
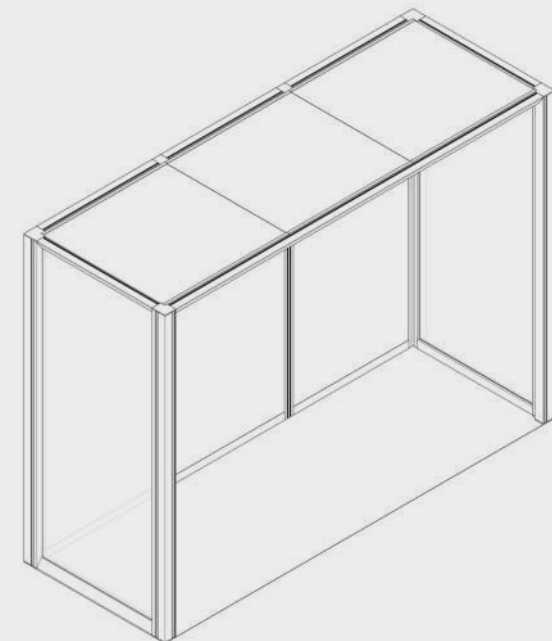
Function
Lounge

Capacity
2 people

Room type
Open

Modular Size
3x1

Variant
1



Preset

Lounge 2x2 p2.v1.0

Project based use only. The accessibility of a preset has to be confirmed individually before the order.

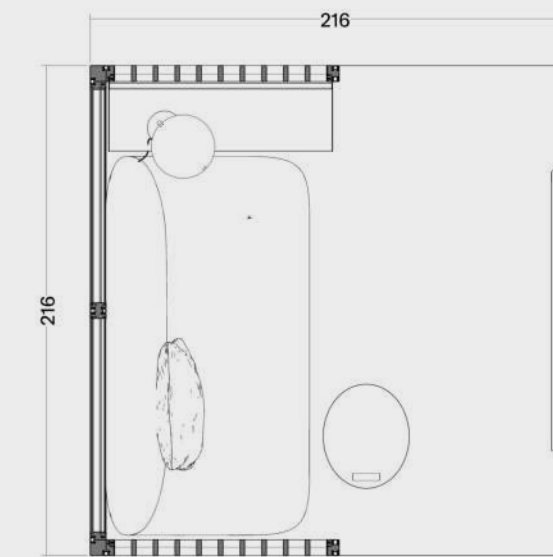
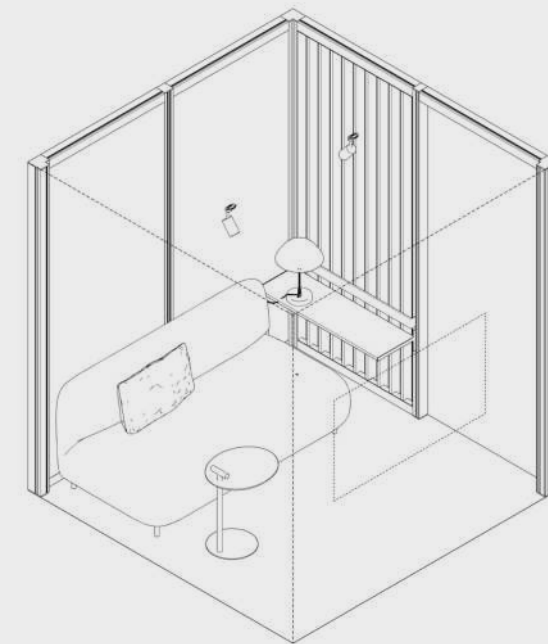
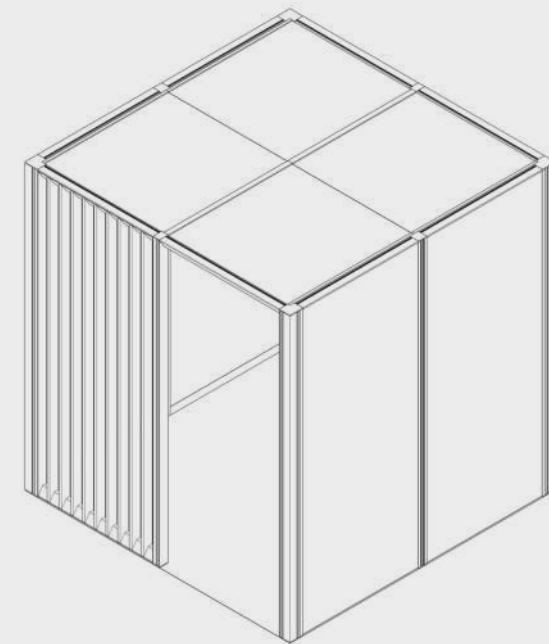
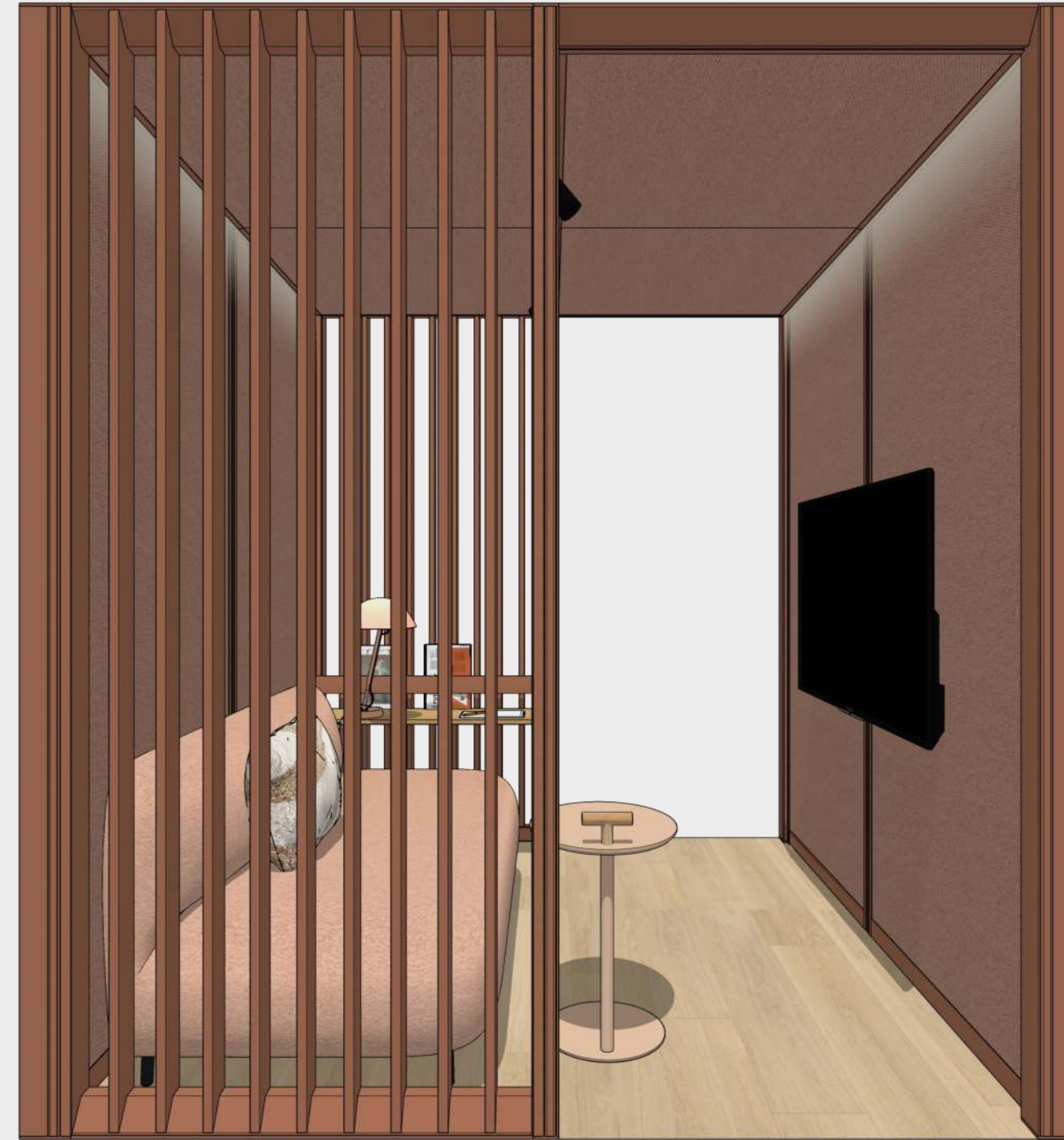
Function
Lounge

Capacity
2 people

Room type
Open

Modular Size
2x2

Variant
1



Preset

Lounge 2x2 p2.v1.C

Project based use only. The accessibility of a preset has to be confirmed individually before the order.

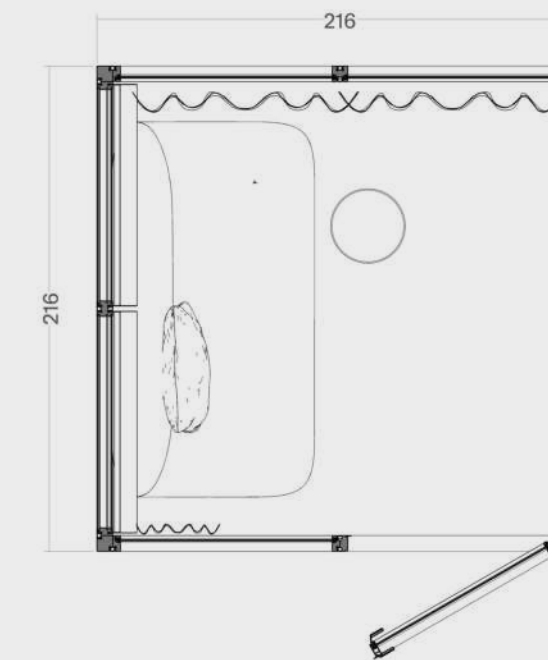
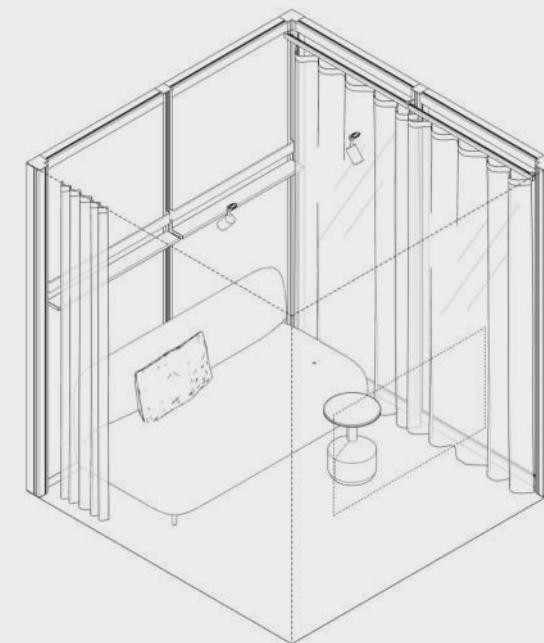
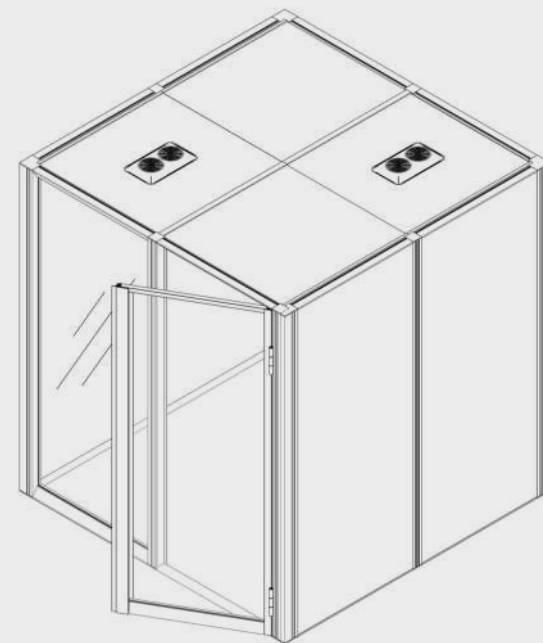
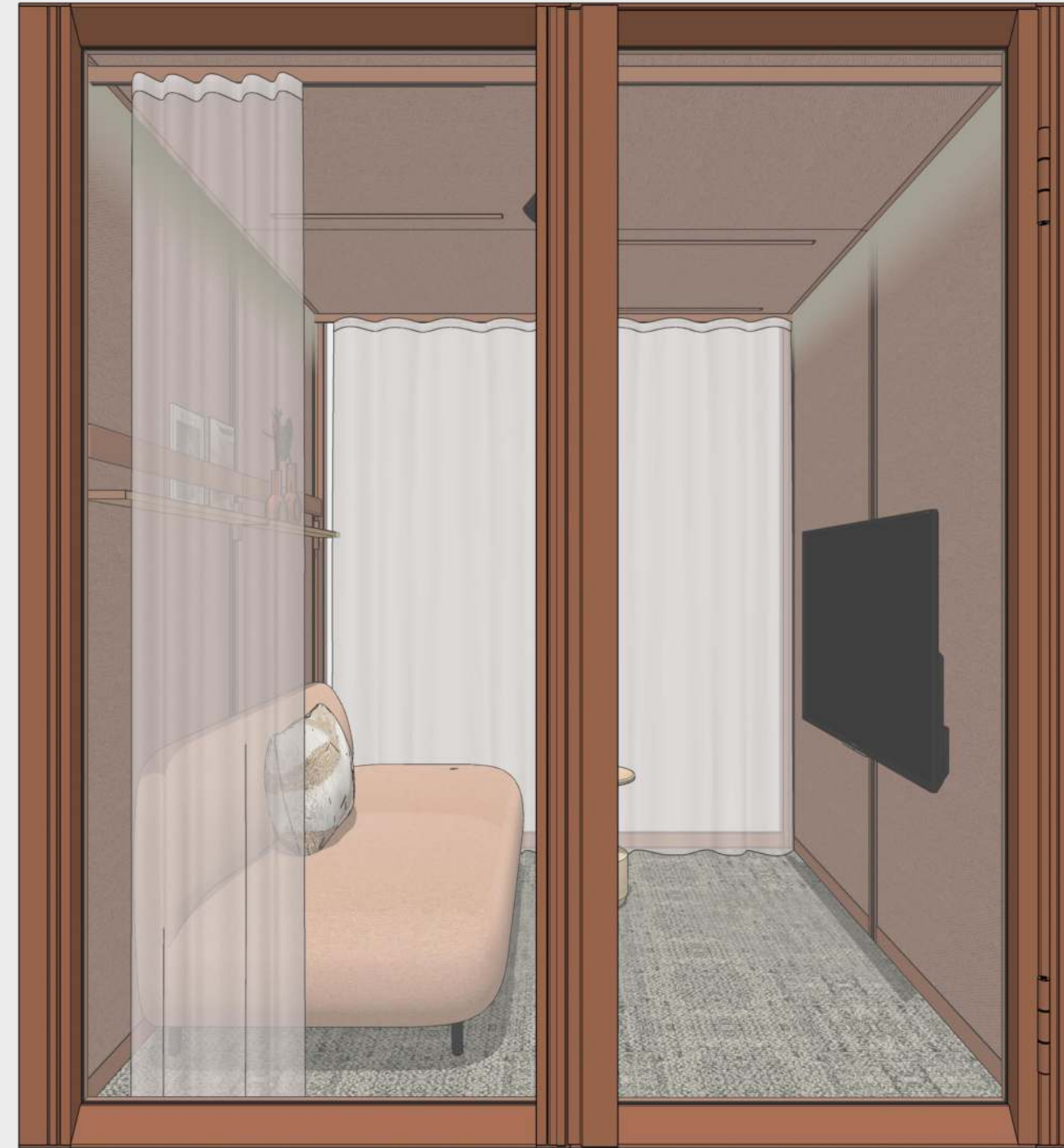
Function
Lounge

Capacity
2 people

Room type
Closed

Modular Size
2x2

Variant
1



Preset

Lounge 2x2 p2.v2.C

Project based use only. The accessibility of a preset has to be confirmed individually before the order.

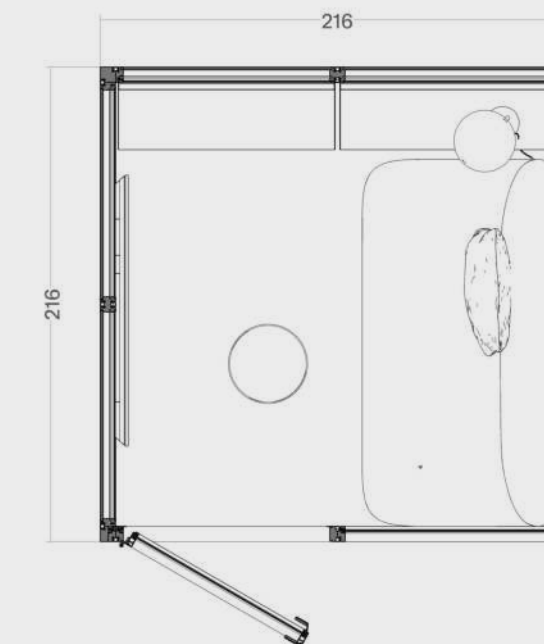
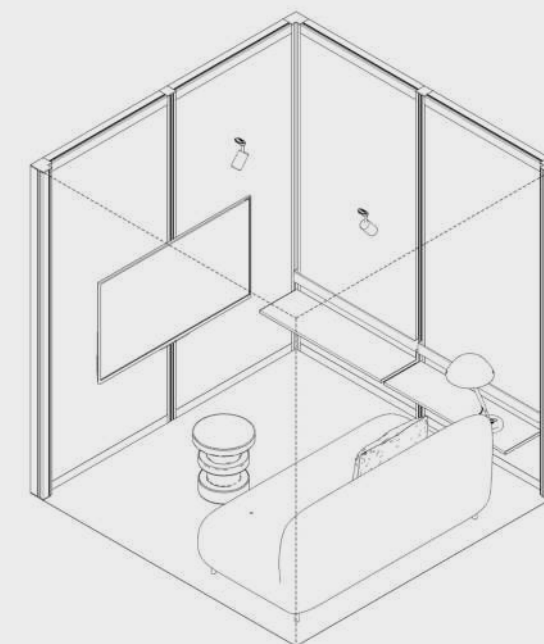
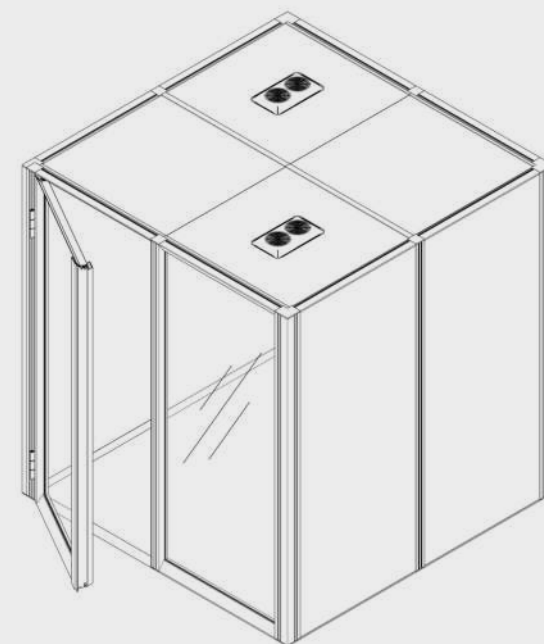
Function
Lounge

Capacity
2 people

Room type
Closed

Modular Size
2x2

Variant
2



Preset

Lounge 2x1 p2.v1.0

Project based use only. The accessibility of a preset has to be confirmed individually before the order.

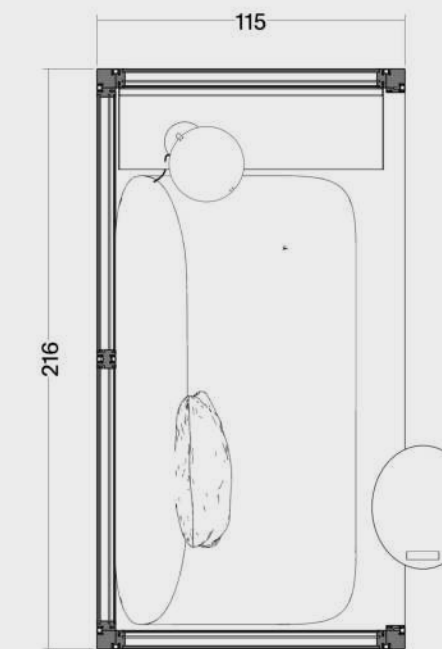
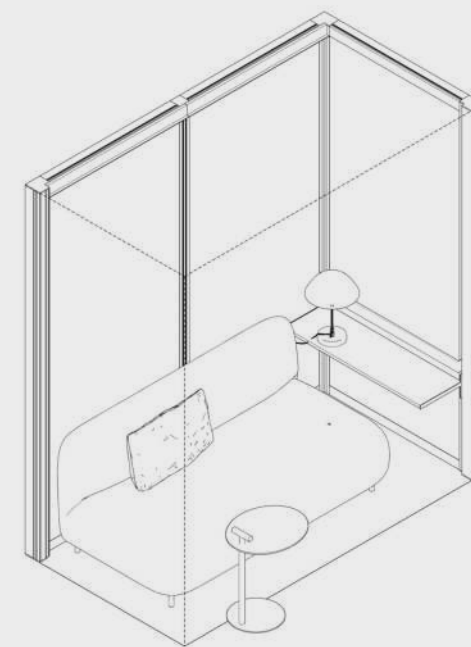
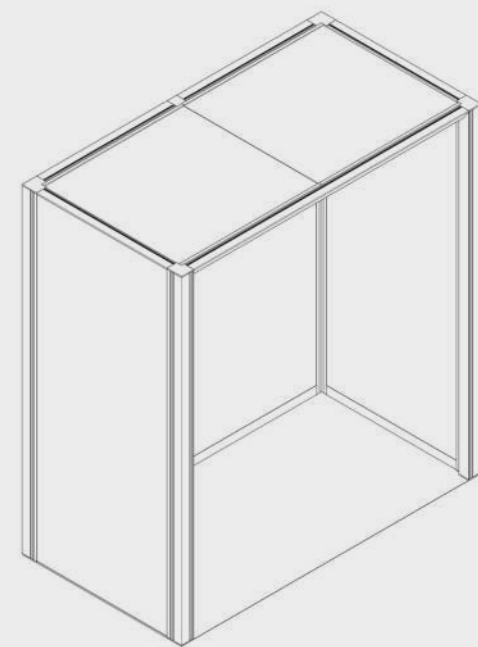
Function
Lounge

Capacity
2 people

Room type
Open

Modular Size
2x1

Variant
1



Support



OmniRoom | MUTE.

Preset

CopyPoint 3x1 v1.0

Project based use only. The accessibility of a preset has to be confirmed individually before the order.

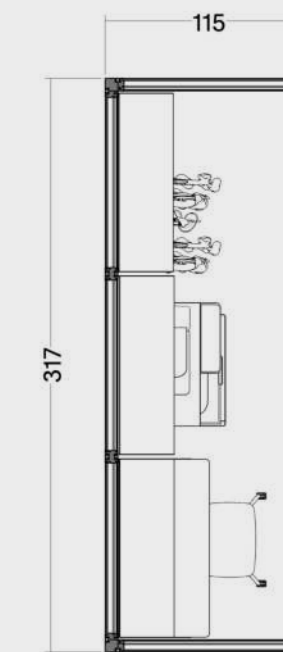
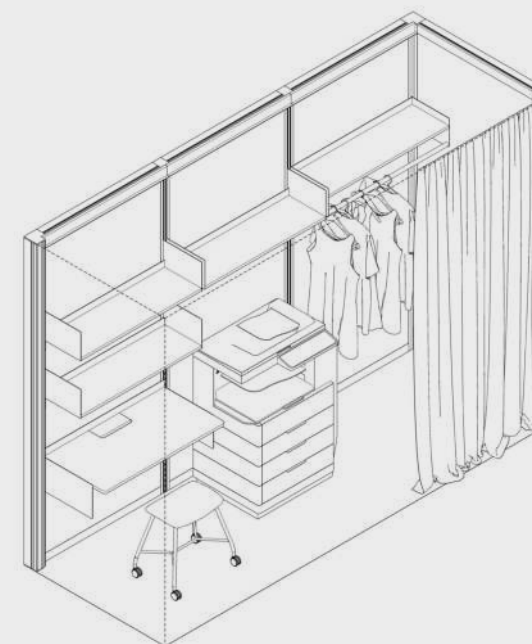
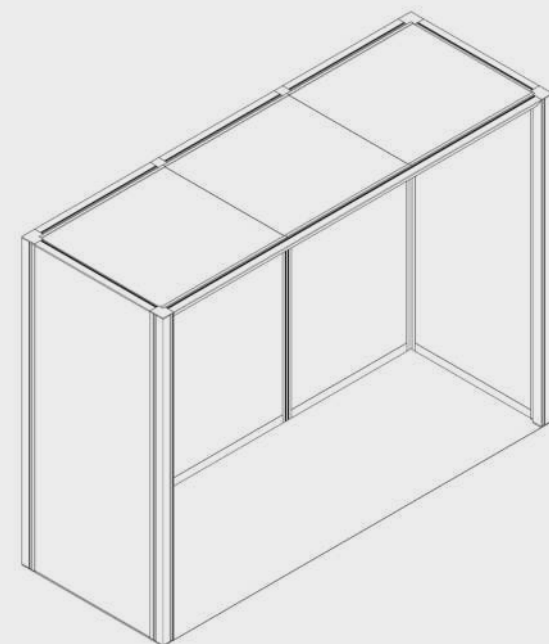
Function
Support

Capacity
-

Room type
Open

Modular Size
3x1

Variant
1



Preset

CopyPoint 2x3 v1.0

Project based use only. The accessibility of a preset has to be confirmed individually before the order.

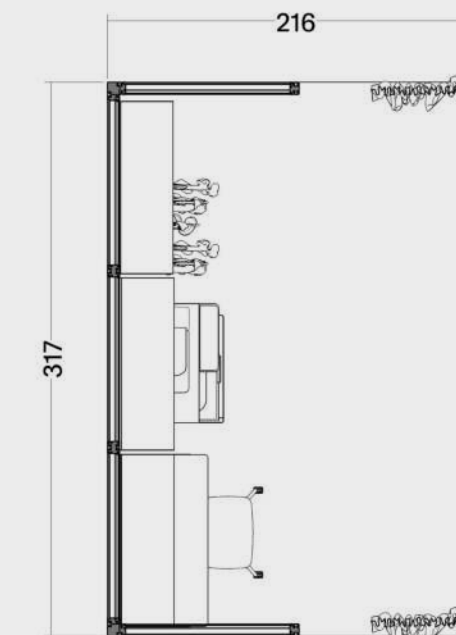
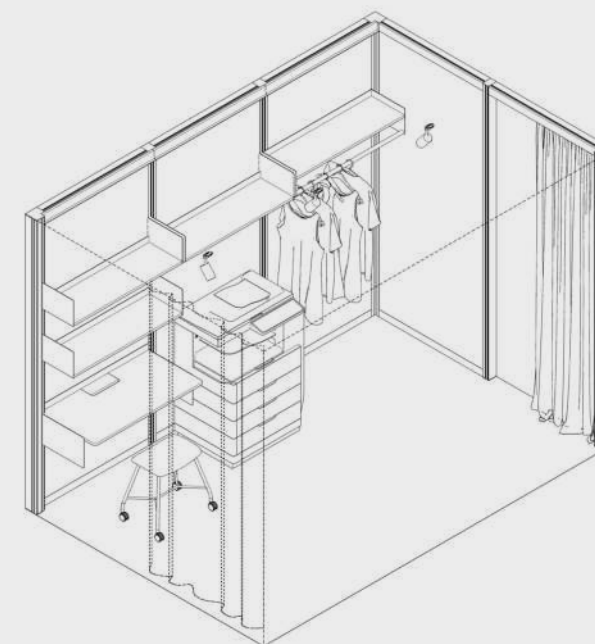
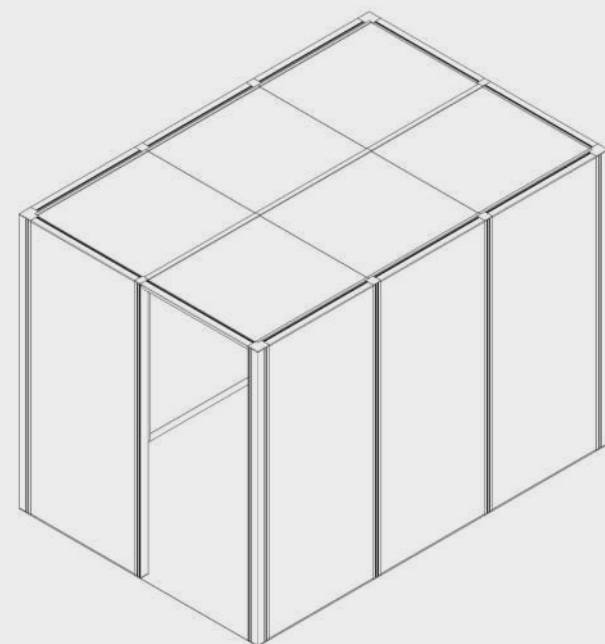
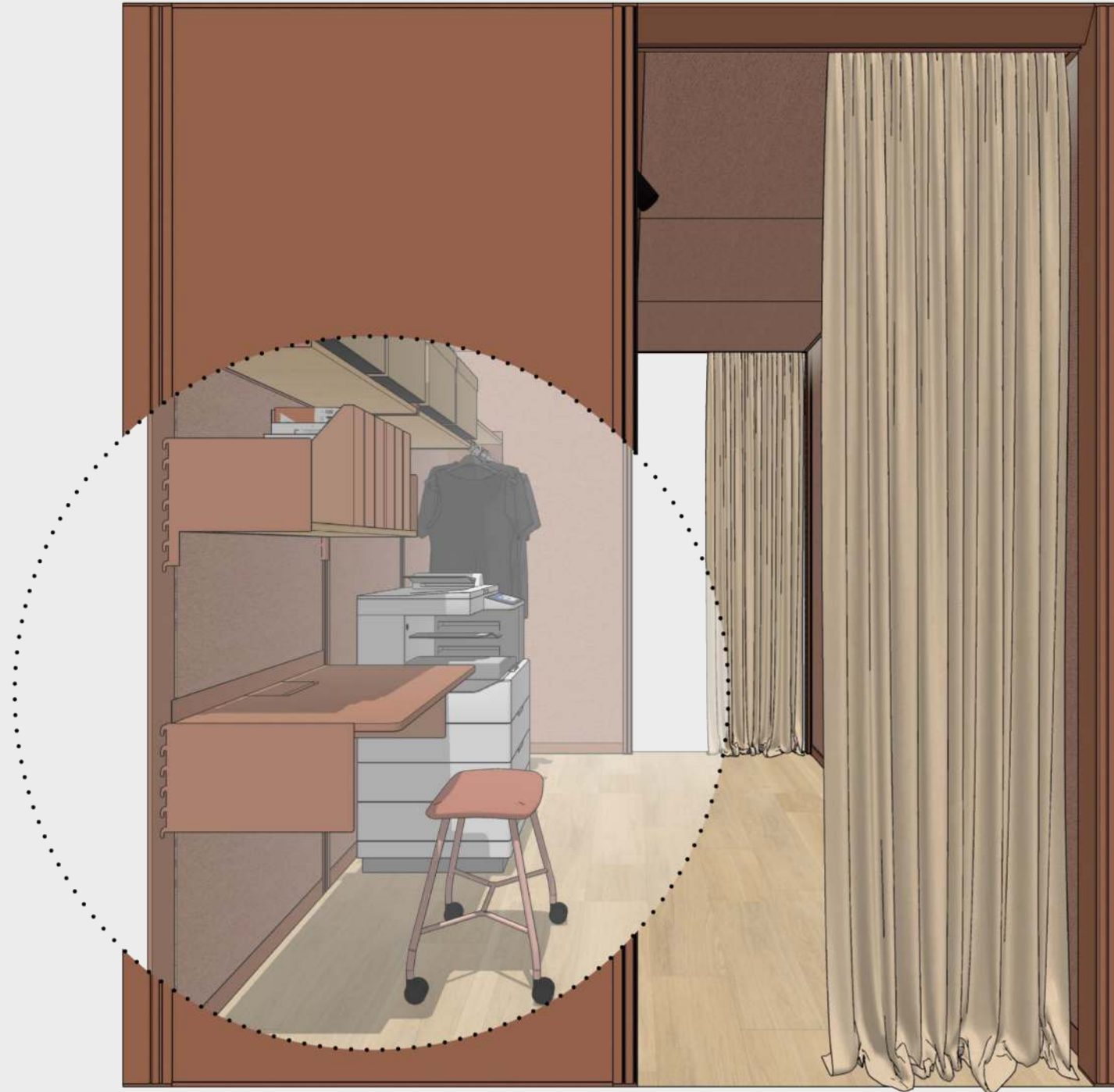
Function
Support

Capacity
-

Room type
Open

Modular Size
2x3

Variant
1



Preset

CopyPoint 2x2 v1.0

Project based use only. The accessibility of a preset has to be confirmed individually before the order.

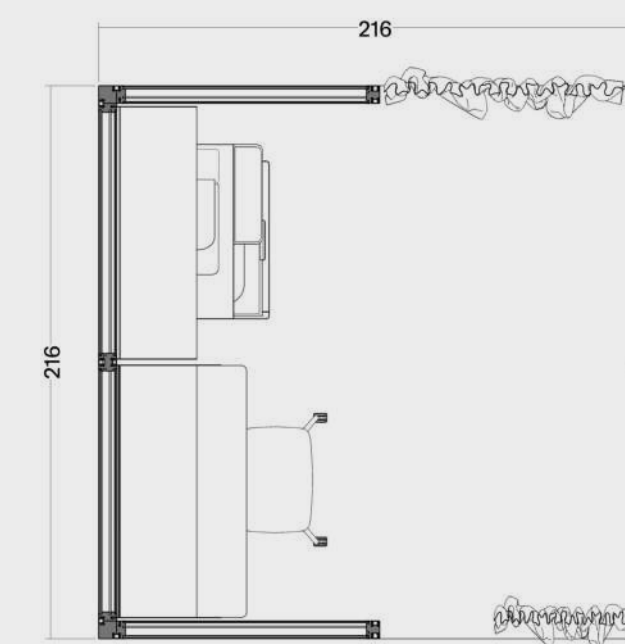
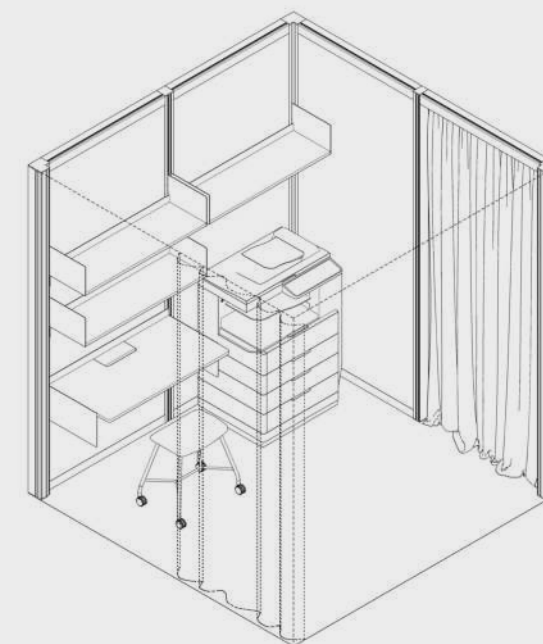
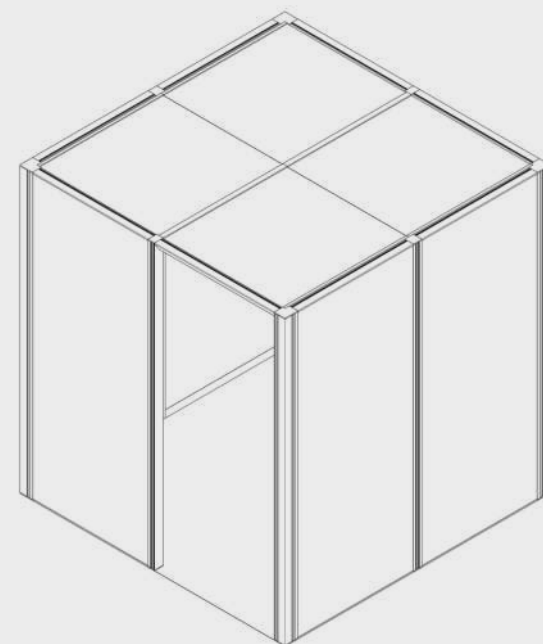
Function
Support

Capacity
-

Room type
Open

Modular Size
2x2

Variant
1



Preset

CopyPoint 2x1 v1.0

Project based use only. The accessibility of a preset has to be confirmed individually before the order.

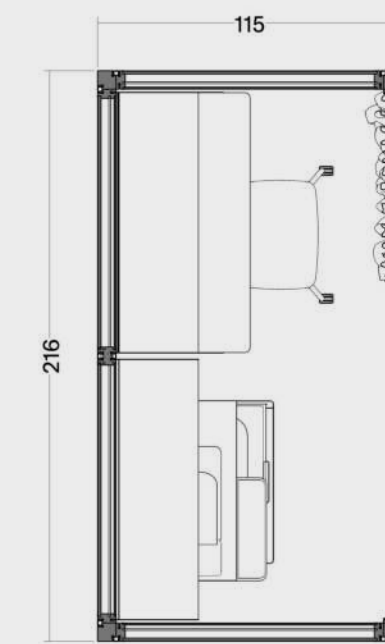
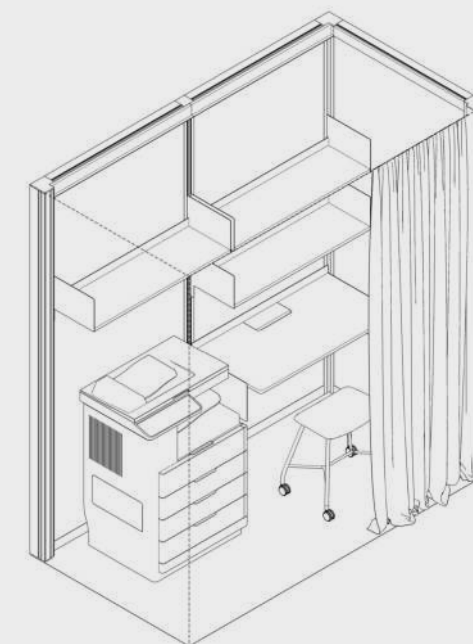
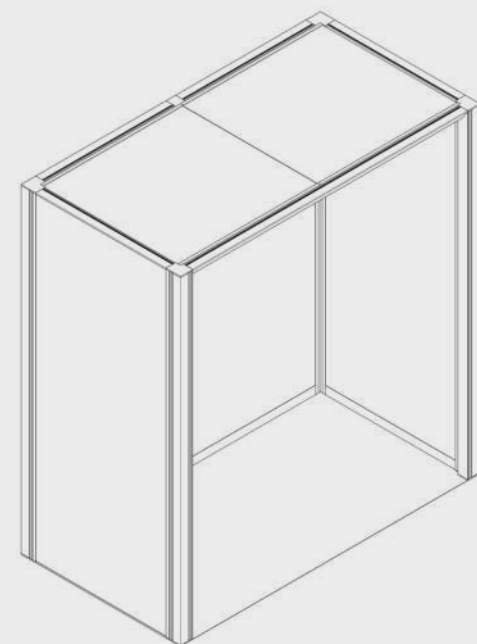
Function
Support

Capacity
-

Room type
Open

Modular Size
2x1

Variant
1



Preset

Cloakroom 2x2 v1.0

Project based use only. The accessibility of a preset has to be confirmed individually before the order.

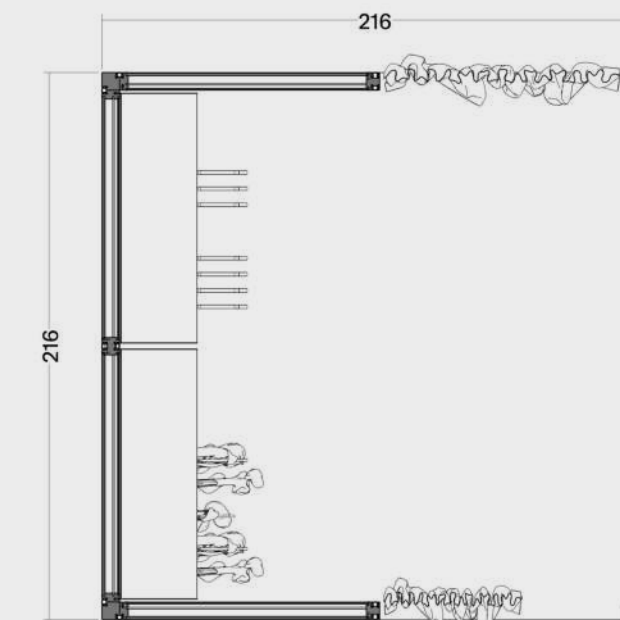
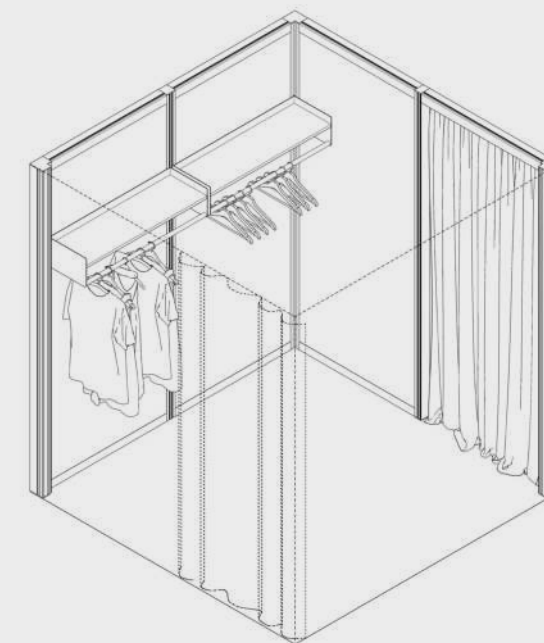
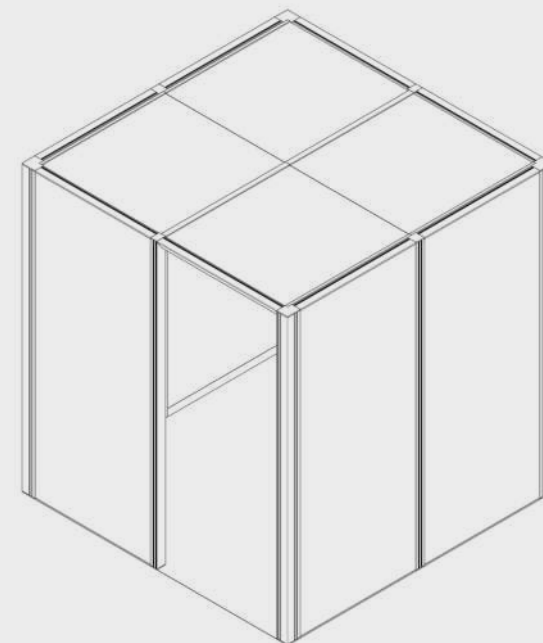
Function
Support

Capacity
-

Room type
Open

Modular Size
2x2

Variant
1



Preset

Cloakroom 2x1 v1.0

Project based use only. The accessibility of a preset has to be confirmed individually before the order.

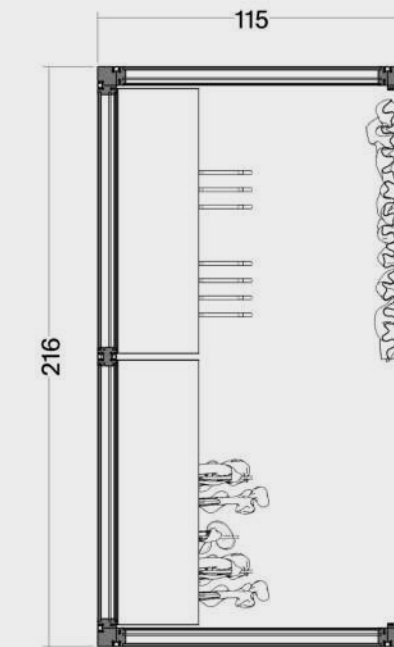
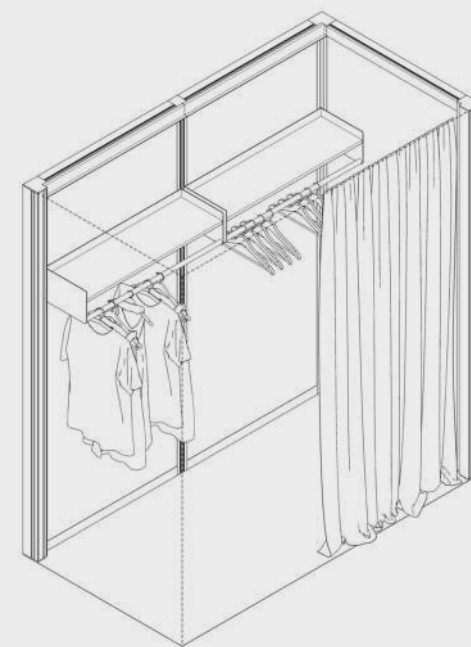
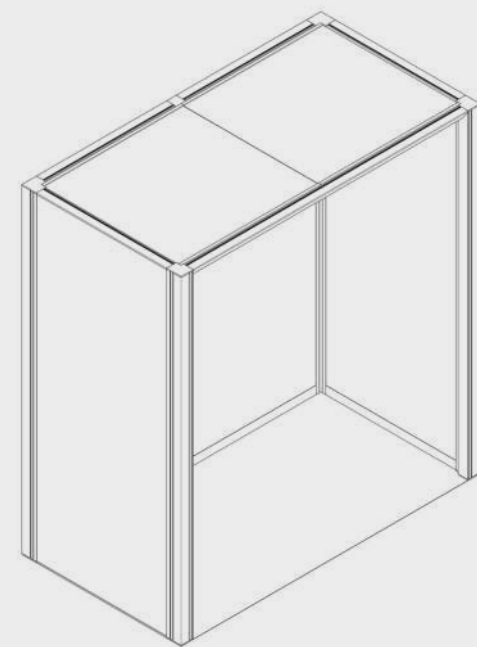
Function
Support

Capacity
-

Room type
Open

Modular Size
2x1

Variant
1





OmniRoom | MUTE.

Simple. Beautiful. Sustainable.